

THIS DRAWING IS UNPUBLISHED.

RELEASED FOR PUBLICATION

---

© COPYRIGHT - By -

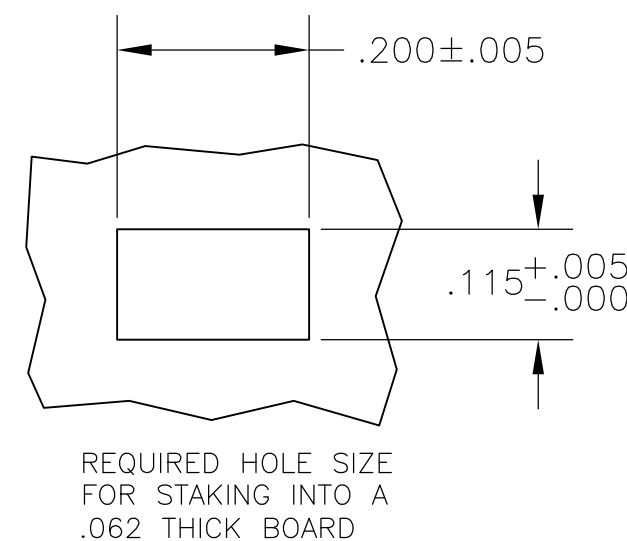
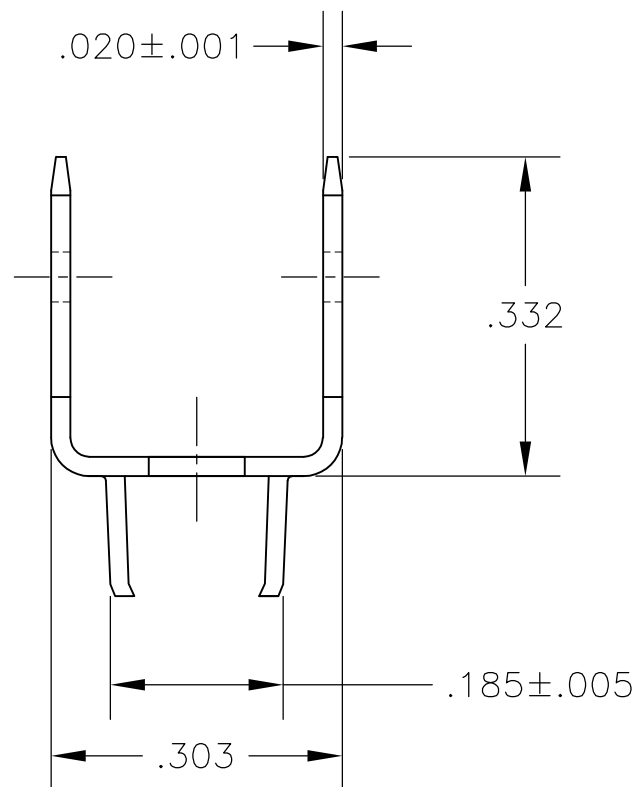
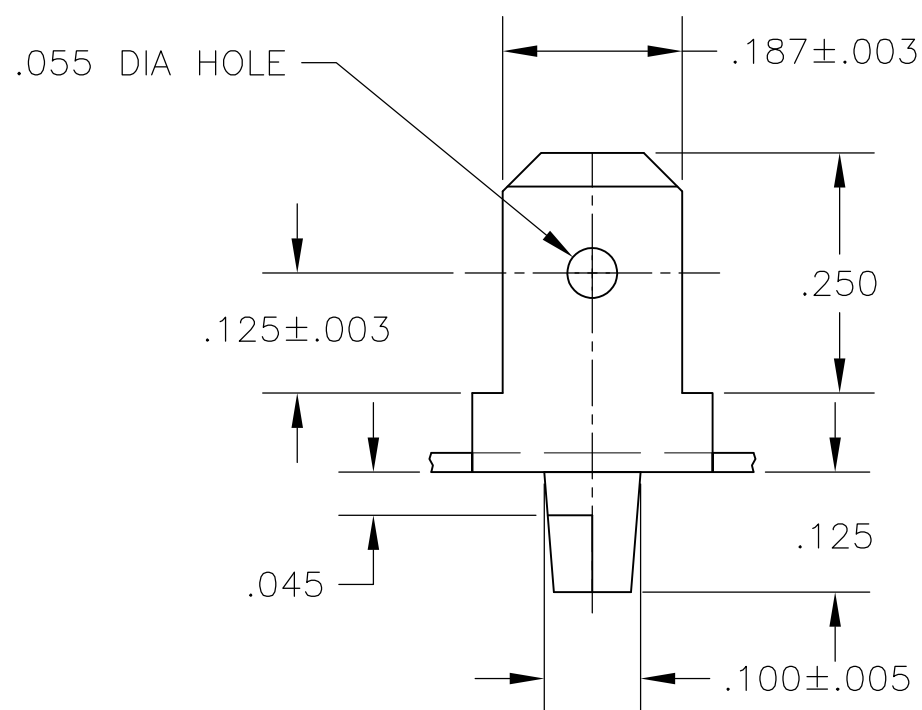
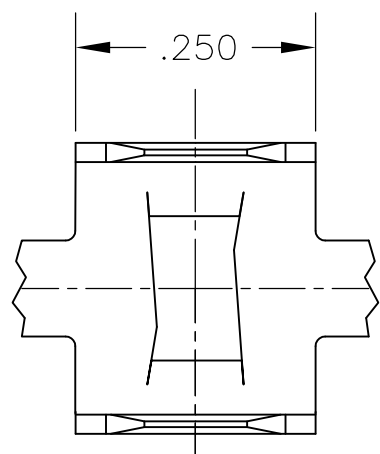
ALL RIGHTS RESERVED.

LOC AF DIST 50


REVISIONS

P	LTR	DESCRIPTION	DATE	DWN	APVD
	S	REVISED PER ECR-13-001204	03JUN13	KH	PD

- 1 CONTINUOUS STRIP ON REELS
- 2 .000150 MIN TIN PLATE OVER .000100 MIN COPPER.



62221-1  
PART NO.

THIS DRAWING IS A CONTROLLED DOCUMENT.		DWN JR RUTH 14MAR01	 <b>TE Connectivity</b> NAME TAB, FASTON, DUAL, STAKE, .187 SERIES						
DIMENSIONS: INCHES		CHK MS FEHER 14MAR01				SIZE	CAGE CODE	DRAWING NO	RESTRICTED TO
TOLERANCES UNLESS OTHERWISE SPECIFIED:		APVD N DEIBERT 14MAR01				A3	00779	C-62221	—
0 PLC ± - 1 PLC ± - 2 PLC ± - 3 PLC ± .015 4 PLC ± - ANGLES ± -		PRODUCT SPEC				CUSTOMER DRAWING		SCALE 5:1	SHEET 1 OF 1
MATERIAL BRASS		FINISH	WEIGHT -		REV S				