



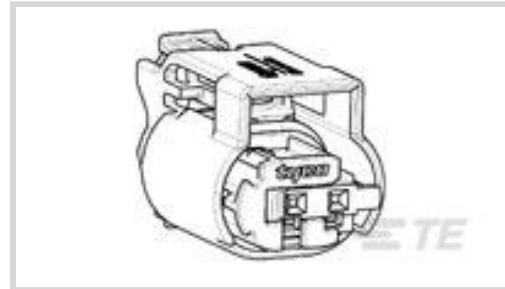
AMP | MQS

TE Internal #: 1-1438608-5

Housing for Female Terminals, Wire-to-Device / Wire-to-Board, 2 Position, .157 in [4 mm] Centerline, Sealable, Black, Wire & Cable, Signal, MQS

[View on TE.com >](#)

Connectors > Automotive Connectors > Automotive Housings > MQS, CONNECTOR HOUSING



Connector & Housing Type: **Housing for Female Terminals**

Mating Tab Width: **.63 mm [ .025 in ]**

Connector System: **Wire-to-Board, Wire-to-Device**

Number of Positions: **2**

Centerline (Pitch): **4 mm [ .157 in ]**

[All MQS, CONNECTOR HOUSING \(571\)](#)

## Features

### Product Type Features

Connector Shape	Rectangular
Connector & Housing Type	Housing for Female Terminals
Connector System	Wire-to-Board, Wire-to-Device
Sealable	Yes
Hybrid Connector	No
Primary Locking Feature	Integrated in Housing
Connector & Contact Terminates To	Wire & Cable

### Configuration Features

Number of Positions	2
Number of Rows	1

### Electrical Characteristics

Operating Voltage	12 VDC
Nominal Voltage Architecture	12 V

### Body Features

Cable Exit Angle	180°
Primary Product Color	Black
Connector & Keying Code	A



### Contact Features

Contact Size	.64mm
Contact Type	Receptacle
Mating Tab Width	.63 mm[.025 in]

### Mechanical Attachment

Terminal Position Assurance	Yes
Strain Relief	Without
Mating Alignment Type	Keyed
Mating Alignment	With
Connector Mounting Type	Cable Mount (Free-Hanging)

### Housing Features

Housing Material	PA GF
Centerline (Pitch)	4 mm[.157 in]

### Dimensions

Connector Height	15.8 mm[.622 in]
Product Width	26.35 mm[1.037 in]
Product Length	16 mm[.629 in]

### Usage Conditions

Operating Temperature (Max)	70 °C, 75 °C, 80 °C, 85 °C, 90 °C, 100 °C, 105 °C, 110 °C, 120 °C, 125 °C, 130 °C[158 °F][167 °F][176 °F][185 °F][194 °F][212 °F][221 °F][230 °F][248 °F][257 °F][266 °F]
Operating Temperature Range	-40 – 130 °C[-40 – 266 °F]

### Operation/Application

Circuit Application	Signal
---------------------	--------

### Industry Standards

UL Flammability Rating	UL 94HB
------------------------	---------

### Packaging Features

Packaging Method	Box
------------------	-----

### Other

Serviceable	Yes
Connector Position Assurance Capable	Yes



## Product Compliance

[For compliance documentation, visit the product page on TE.com>](#)

EU RoHS Directive 2011/65/EU	Compliant
EU ELV Directive 2000/53/EC	Compliant
China RoHS 2 Directive MIIT Order No 32, 2016	No Restricted Materials Above Threshold
EU REACH Regulation (EC) No. 1907/2006	Current ECHA Candidate List: JUNE 2023 (235) Candidate List Declared Against: JUNE 2023 (235) Does not contain REACH SVHC
Halogen Content	BFR/CFR/PVC Free, but Br/Cl >900 ppm in other sources.
Solder Process Capability	Not applicable for solder process capability

### Product Compliance Disclaimer

This information is provided based on reasonable inquiry of our suppliers and represents our current actual knowledge based on the information they provided. This information is subject to change. The part numbers that TE has identified as EU RoHS compliant have a maximum concentration of 0.1% by weight in homogenous materials for lead, hexavalent chromium, mercury, PBB, PBDE, DBP, BBP, DEHP, DIBP, and 0.01% for cadmium, or qualify for an exemption to these limits as defined in the Annexes of Directive 2011/65/EU (RoHS2). Finished electrical and electronic equipment products will be CE marked as required by Directive 2011/65/EU. Components may not be CE marked. Additionally, the part numbers that TE has identified as EU ELV compliant have a maximum concentration of 0.1% by weight in homogenous materials for lead, hexavalent chromium, and mercury, and 0.01% for cadmium, or qualify for an exemption to these limits as defined in the Annexes of Directive 2000/53/EC (ELV). Regarding the REACH Regulation, the information TE provides on SVHC in articles for this part number is based on the latest European Chemicals Agency (ECHA) 'Guidance on requirements for substances in articles' posted at this URL: <https://echa.europa.eu/guidance-documents/guidance-on-reach>

## Compatible Parts

 <p>TE Part # 967067-1 MQS SGL WIRE SEAL</p>	 <p>TE Part # 1-967570-1 2POS MQS TAB SEALED COD A</p>	 <p>TE Part # CAT-M8793-T273 MQS, RECEPTACLE AND TAB</p>
---	--	---

## Also in the Series | MQS



Automotive Connector Caps & Covers (138)



Automotive Connector EMC Shielding (3)



Automotive Connector Locks & Position Assurance(30)



Automotive Housings(506)



Automotive Terminals(104)



Connector Seals & Cavity Plugs(27)



Insertion & Extraction Tools(42)

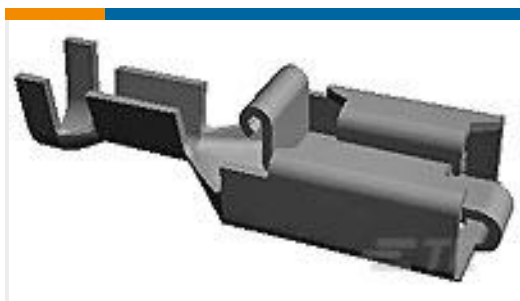


Other Automotive Connector Accessories(14)



PCB Headers & Receptacles(214)

## Customers Also Bought



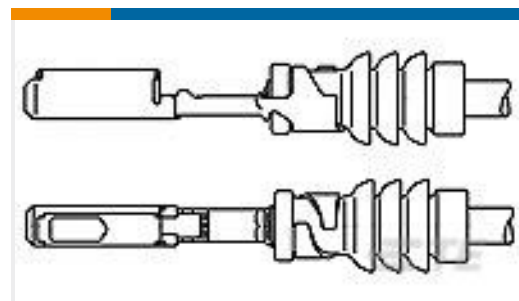
TE Part #281828-2  
PL 2.5-4.0 MM2 TPBR



TE Part #284442-1  
PLUG FOR MQS 12 POS. COLOUR BL



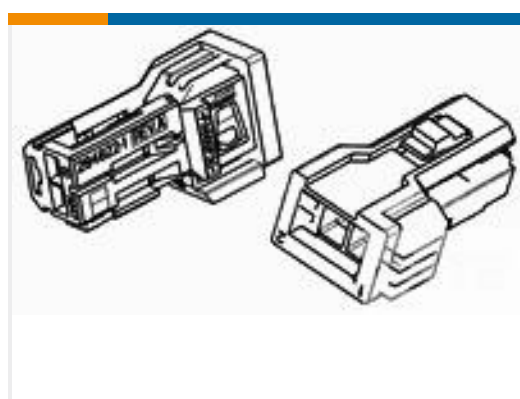
TE Part #284088-1  
MULTILOCK, RECEPTACLE AND TAB



TE Part #1703032-1  
MQS0,63 Sn rec CB EDS 0,5-0,75



TE Part #2112502-1  
38POS, MIXED,REC HSG,ASSY, SEALED



TE Part #284820-1  
2 pos 070 New Generation



TE Part #2236048-1  
KIT SEC.LOCK FOR 32 WAYS CONN.



TE Part #2098963-1  
30 WAY SHIELD ASSEMBLY, KEY AD



## Documents

### Product Drawings

[2POS MQS REC SEALED COD A](#)

English

### CAD Files

Customer View Model

[ENG\\_CVM\\_CVM\\_1-1438608-5\\_E.2d\\_dxf.zip](#)

English

[3D PDF](#)

3D

Customer View Model

[ENG\\_CVM\\_CVM\\_1-1438608-5\\_E.3d\\_igs.zip](#)

English

Customer View Model

[ENG\\_CVM\\_CVM\\_1-1438608-5\\_E.3d\\_stp.zip](#)

English

By downloading the CAD file I accept and agree to the [Terms and Conditions](#) of use.

### Datasheets & Catalog Pages

[Micro Quadlok Interconnection System \(MQS\)](#)

English

### Product Specifications

[Application Specification](#)

English

[Application Specification](#)

English

### Instruction Sheets

[Instruction Sheet \(non U.S.\)](#)

English