

# FOC-SJ:14-SJ:14-HB02/10,0 PR - FO patch cable



1424188

<https://www.phoenixcontact.com/us/products/1424188>

Please be informed that the data shown in this PDF document is generated from our online catalog. Please find the complete data in the user documentation. Our general terms of use for downloads are valid.

Assembled FO cable, PROFINET cable type B, 200/230 µm PCF fiber, SC-RJ/IP67 push-pull metal housing on both sides, PVC outer sheath, halogen-free, ozone and UV-resistant, in conduit, for fixed indoor installation, length: 10 m



## Your advantages

- Reliable even in EMC-sensitive applications
- Fast data transmission for demanding applications
- Flexible installation, thanks to PVC outer sheath
- Including individual test report
- Universal installation cables for fixed installation indoors and outdoors (direct underground installation not permitted)
- Additional line protection thanks to protective tube
- 2.2 mm single-core wires made from extremely hard-wearing polyvinyl chloride (PVC)
- PROFINET type B for flexible use
- Robust cable for use in harsh environments

## Commercial data

Item number	1424188
Packing unit	1 pc
Minimum order quantity	1 pc
Sales key	AB11
Product key	ABNOBB
GTIN	4055626373089
Weight per piece (including packing)	1,120 g
Weight per piece (excluding packing)	1,014 g
Customs tariff number	85447000
Country of origin	DE

1424188

<https://www.phoenixcontact.com/us/products/1424188>

## Technical data

### Product properties

Product type	Data cable preassembled
Number of positions	2
Application	Standard

### Electrical properties

Attenuation	≤ 2 dB (at 650 nm)
	≤ 1.5 dB (with 850 nm)
Transmission medium	PCF fiber
Transmission speed	100 Mbps

### Mechanical properties

Tensile strength short-term/long-term	800 N / 100 N
---------------------------------------	---------------

### Material specifications

Ferrule material	Zirconia ceramics
Outer sheath, material	PVC

### Dimensions

#### External dimensions

External diameter min.	6.7 mm
External diameter max.	7.7 mm

#### Mechanical characteristics

Ferrule diameter	2.50 mm
------------------	---------

### Connector

#### Connection 1

Type	Plug straight Push-pull version 14
Degree of protection	IP65/IP67 (Push-Pull ADVANCE)

#### Connection 2

Type	Plug straight Push-pull version 14
Material	Zinc die-cast (nickel-plated)
Degree of protection	IP65/IP67

### Cable/line

Cable length	10.00 m
Cable weight	45 kg/km
Short symbol	AT-V(ZN)YY 2K200/230 HCS
External cable diameter	7.2 mm
Outer sheath, material	PVC

# FOC-SJ:14-SJ:14-HB02/10,0 PR - FO patch cable



1424188

<https://www.phoenixcontact.com/us/products/1424188>

External sheath, strain relief elements	Non-metallic, aramide fiber
Single wire, number of litz wires	2
Single wire, material	PVC
Individual wire diameter	2.2 mm ±0.1 mm
Tensile strength short-term/long-term	800 N / 100 N
Lateral pressure short term	500 N/cm
Lateral pressure, long-term	300 N/cm
Bending radius, single element	30 mm (Short-term) 30 mm (Short-term)
Bending radius, entire cable	70 mm (Short-term) 70 mm (Short-term)
660 nm	10 dB/km
850 nm	8 dB/km
Resistance to oil	very good oil and chemical resistance
Behavior in fire	Flame-resistant as per IEEE and IEC 60 332-3 test type C

## FO cable

Number of fibers	2
Fiber	200/230 µm
Fiber type	PCF fiber A3C
Cable, attenuation	10 dB/km (650 nm), 8 dB/km (at 850 nm)
Transmission medium	PCF fiber

## Environmental and real-life conditions

### Ambient conditions

Degree of protection	IP67
Ambient temperature (operation)	-40 °C ... 70 °C
Ambient temperature (storage/transport)	-40 °C ... 70 °C
Ambient temperature (assembly)	-5 °C ... 50 °C
Ambient temperature (installation)	-5 °C ... 50 °C
Resistance to oil	yes

## Standards and regulations

Flame resistance	yes
Resistance to oil	yes

# FOC-SJ:14-SJ:14-HB02/10,0 PR - FO patch cable

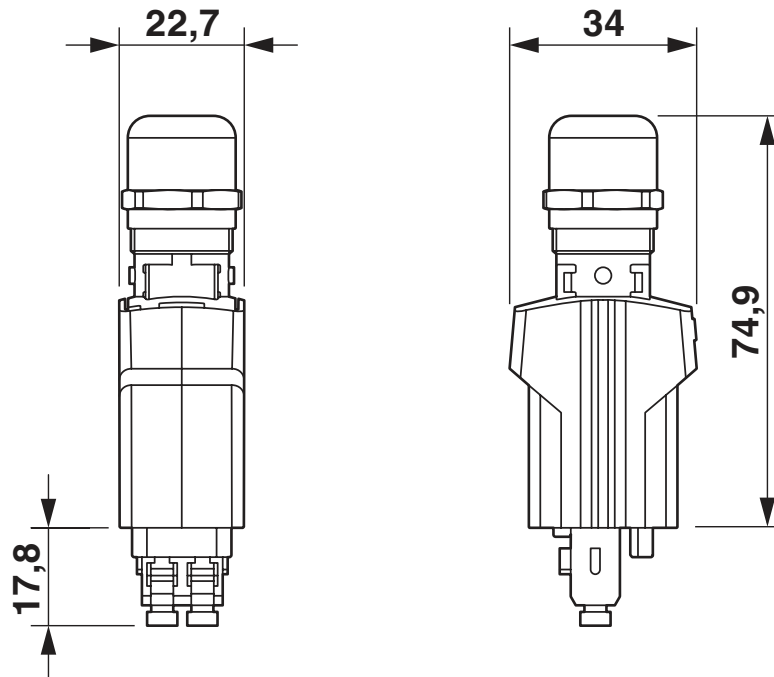


1424188

<https://www.phoenixcontact.com/us/products/1424188>

## Drawings

Dimensional drawing



Push-Pull SC-RJ connector IP65/67

# FOC-SJ:14-SJ:14-HB02/10,0 PR - FO patch cable



1424188

<https://www.phoenixcontact.com/us/products/1424188>

## Approvals

To download certificates, visit the product detail page: <https://www.phoenixcontact.com/us/products/1424188>



**EAC**

Approval ID: B.01687

1424188

<https://www.phoenixcontact.com/us/products/1424188>

## Classifications

### ECLASS

ECLASS-11.0	27061003
ECLASS-12.0	27061003
ECLASS-13.0	27061003

### ETIM

ETIM 8.0	EC003249
----------	----------

### UNSPSC

UNSPSC 21.0	26121600
-------------	----------

# FOC-SJ:14-SJ:14-HB02/10,0 PR - FO patch cable



1424188

<https://www.phoenixcontact.com/us/products/1424188>

## Environmental product compliance

China RoHS	Environmentally Friendly Use Period = 50 years For information on hazardous substances, refer to the manufacturer's declaration available under "Downloads"
------------	--

# FOC-SJ:14-SJ:14-HB02/10,0 PR - FO patch cable



1424188

<https://www.phoenixcontact.com/us/products/1424188>

## Accessories

### FOC-TOOL-FERRULECLEANER-2.50 - FO accessories

1407029

<https://www.phoenixcontact.com/us/products/1407029>

2.50 mm ferrule cleaner, for ST, SC, FC, E2000 (also APC), approx. 500 cleaning cycles



### VS-PPC-J-1-SCRJ-MNBK - Fiber optic coupling

1405206

<https://www.phoenixcontact.com/us/products/1405206>

SC-RJ push-pull coupling, IP65, metal, with protective cover, color: nickel-plated



Phoenix Contact 2023 © - all rights reserved

<https://www.phoenixcontact.com>

Phoenix Contact USA  
586 Fulling Mill Road  
Middletown, PA 17057, United States  
(+717) 944-1300  
[info@phoenixcon.com](mailto:info@phoenixcon.com)