

mat'l. code				surface		tolerance		projection		product family		
SEE NOTE 1				ASME Y14.5		ASME Y14.5		ASME Y14.5		MEG-Array		
ltr	ec'n no	dr	date	tolerances unless otherwise specified		angles		MM		title		
A	V03-1102	LP	2003-10-20			X ±3				Omm PLUG ASSY 12 X 44 = 528 POS.		
B	V04-0940	VS	2004-10-13			XX ±10						
C	V06-0560	LP	2006-07-17			XXX ±050		scale 1:1				
D	V12-0031	SJ	2012-08-03	dr	D.INGRAM	2003-02-05		FCI		dwg no		
E	V12-0050	DCH	2012-11-20	enfr	D.WHITING	2003-02-05				sheet 1 of 4		size
				chr	D.WHITING	2003-02-05				10022671		A4
				appd	D.WHITING	2003-02-05		type		CUSTOMER Drawing		
sheet index	revision sheet	E	E	E	E	E	E					
		1	2	3	4							



Copyright FCI

1 | 2



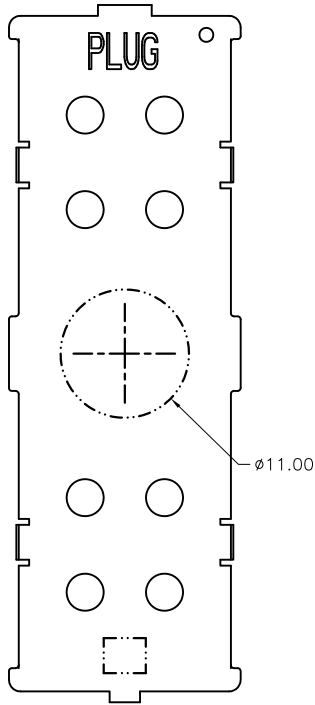
FCIconnect.com



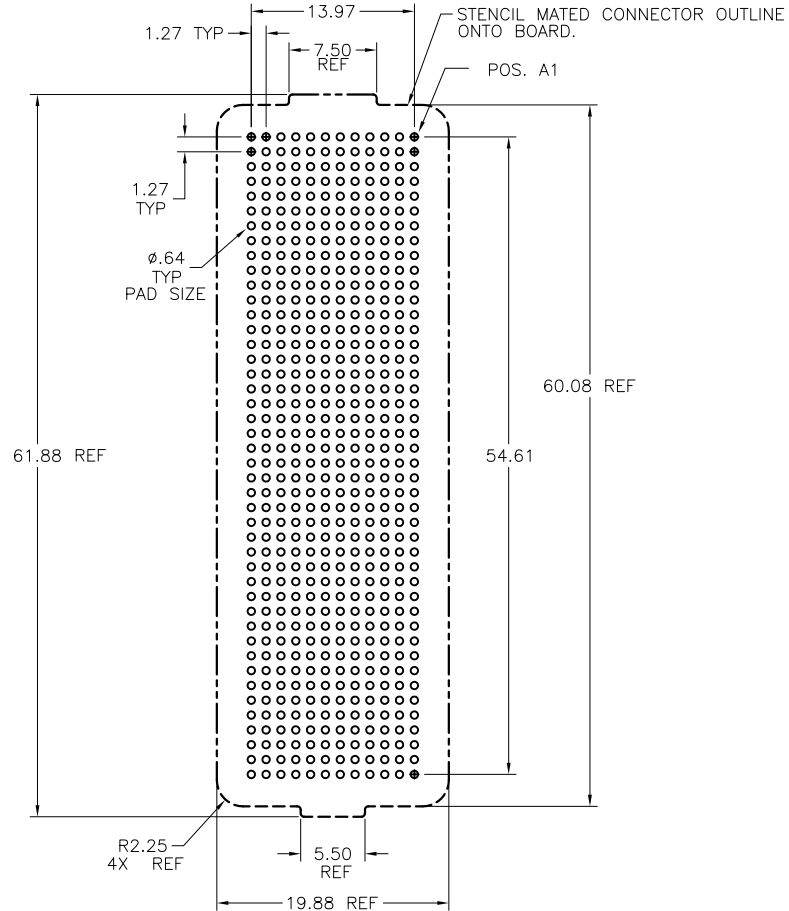
3 |



4



VACUUM AREA FOR OPTIONAL PICK UP CAP



BOARD PATTERN  
SCALE 2/1

mat'l. code		surface		tolerance		projection		product family	
SEE NOTE 1		ASME Y14.5		ASME Y14.5				MEG-Array	
ltr	ec'n no	dr	date	tolerances unless otherwise specified				title	
E				angles	mm	X +3		<b>0mm PLUG. ASSY</b> 12 X 44 = 528 POS.	
				0' ±2'	mm	XX +10			
					mm	XXX +050			
		dr	D. INGRAM	2003-02-05	scale		1:1	dwg no	sheet 2 of 4
		engr	D. WHITING	2003-02-05			10022671	A4	size
		chr	D. WHITING	2003-02-05					
		appd	D. WHITING	2003-02-05					
sheet index	revision sheet							type	CUSTOMER Drawing

form: A4mmXLC

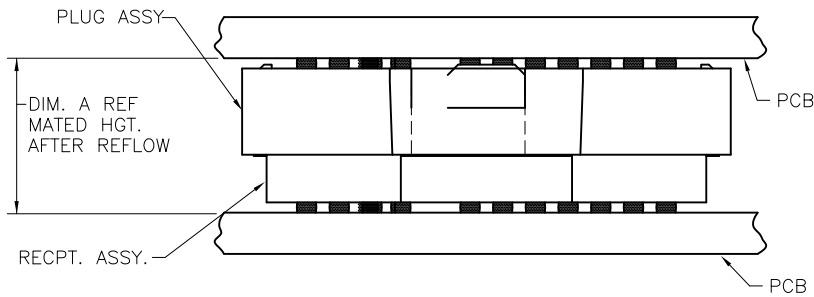
1 |

2 |

3 |

4

PRODUCT NUMBER	PICK-UP CAP (NATURAL OR BLACK IN COLOR)	CONTACT PLATING AND THICKNESS	SOLDER BALL	NOTES
10022671-002	YES	15µ" (.38µm) Au	SnPb	
10022671-002LF	YES	15µ" (.38µm) Au	LEAD FREE	8
10022671-092	YES	15µ" (.38µm) GXT	SnPb	
10022671-092LF	YES	15µ" (.38µm) GXT	LEAD FREE	8
10022671-102	YES	30µ" (.76µm) Au	SnPb	
10022671-102LF	YES	30µ" (.76µm) Au	LEAD FREE	8
10022671-192	YES	30µ" (.76µm) GXT	SnPb	
10022671-192LF	YES	30µ" (.76µm) GXT	LEAD FREE	8
10022671-202	YES	50µ" (1.27µm) Au SPECIAL	SnPb	4 AND 5
10022671-202LF	YES	50µ" (1.27µm) Au SPECIAL	LEAD FREE	4, 5, and 8
10022671-292	YES	50µ" (1.27µm) GXT SPECIAL	SnPb	4 AND 5
10022671-292LF	YES	50µ" (1.27µm) GXT SPECIAL	LEAD FREE	4, 5 AND 8
<del>10022671-302</del>	<del>YES</del>	<del>15µ" (.38µm) Au SPECIAL</del>	<del>SnPb</del>	<del>9</del>
<del>10022671-302LF</del>	<del>YES</del>	<del>15µ" (.38µm) Au SPECIAL</del>	<del>LEAD FREE</del>	<del>8 &amp; 9</del>
<del>10022671-402</del>	<del>YES</del>	<del>30µ" (.76µm) Au SPECIAL</del>	<del>SnPb</del>	<del>9</del>
<del>10022671-402LF</del>	<del>YES</del>	<del>30µ" (.76µm) Au SPECIAL</del>	<del>LEAD FREE</del>	<del>8 &amp; 9</del>
<del>10022671-502</del>	<del>YES</del>	<del>Au SPECIAL</del>	<del>SnPb</del>	<del>4, 5 &amp; 9</del>
<del>10022671-502LF</del>	<del>YES</del>	<del>Au SPECIAL</del>	<del>LEAD FREE</del>	<del>4, 5, 8 &amp; 9</del>



DIM. A	RECPT. ASSY. P/N	PLUG ASSY. P/N
6.0	10026846-X01	10022671-X02

MATED HEIGHT AFTER REFLOW IS BASED ON Ø .64mm PAD (METAL-DEFINED) AND .13mm SOLDER PASTE STENCIL THICKNESS. SEE NOTE 3.

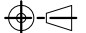

END VIEW - MATED CONNECTORS SCALE NONE

mat'l. code		surface		tolerance		projection		product family	
SEE NOTE 1		ASME Y14.5		ASME Y14.5				MEG-Array	
ltr	ecr no	dr	date	tolerances unless otherwise specified				title	
E				angles	X ±3	MM		0mm PLUG ASSY	
				0° ±2'	.XX ±10	scale 1:1		12 X 44 = 528 POS.	
				appd	XXX ±050			dwg no	
				dr	D.INGRAM	2003-02-05		sheet 3 of 4	
				engr	D.WHITING	2003-02-05		size	
				chr	D.WHITING	2003-02-05		10022671	
				appd	D.WHITING	2003-02-05		A4	
sheet index		revision sheet						type	
								CUSTOMER Drawing	

NOTES:

- ①. MAT'L:  
HOUSING: LCP  
CONTACT: COPPER ALLOY  
PLATING:  
 CONTACT: (SEE TABLE ON SHEET3)  
 SOLDER BALL: (SEE TABLE ON SHEET3)  
 EUTECTIC SnPb OR LEAD FREE  
 95.5Sn/4Ag/0.5Cu
- ②. SOLDER BALLS WILL NOT BE PERFECT SPHERICAL SHAPE DUE TO REFLOW ATTACHMENT.
- ③. MATED HEIGHT EFFECTED BY CUSTOMER'S PCB PAD SIZE, PLATING, SOLDER REFLOW PROFILE, & SOLDER PASTE.
- ④. PLATING FOR INDICATED -2XX SERIES PRODUCT NUMBER MEET THE REQUIREMENTS OF GR-1217-CORE, CENTRAL OFFICE ENVIRONMENT, (25 YEAR LIFE EXPECTANCY).
- ⑤. PLATING FOR INDICATED -2XX SERIES PART NOS. IS Au OVER Ni WITH SPECIAL CONTACT GEOMETRY TO MEET REQUIREMENTS OF TELCORDIA GR-1217-CORE: CENTRAL OFFICE ENVIRONMENT.
- ⑥. KNIT LINE: SLIGHT VISIBLE MARKS (USUALLY A LINE) INDICATING THE DIRECTION AND MEETING POINT OF PLASTIC RESIN FLOW FRONTS TRAVELING AROUND ANY OBSTRUCTIONS TO THE RESIN FLOW VIA THE REQUIRED MOLD TOOLING.
- ⑦. FOR PROPER APPLICATION FOLLOW FCI APPLICATION SPECIFICATION GS-20-033 LEAD FREE SOLDER BALLS WILL NOT SOLDER PROPERLY IN A LEADED SOLDER PROCESS DUE TO A HIGHER REFLOW TEMPERATURE. LEAD FREE PRODUCT IS THEREFORE NOT BACKWARDS COMPATIBLE WITH LEADED OR SOME SOLDERING APPLICATIONS. REFERENCE FCI APPLICATION SPECIFICATION
- ⑧. THIS PRODUCT MEETS EUROPEAN UNION DIRECTIVES AND OTHER COUNTRY REGULATIONS AS DESCRIBED IN GS-47-0004 PRODUCT MEETING THIS DIRECTIVE IS IDENTIFIED IN THE LOT CODE NUMBER MARKED ON EACH PART BY HAVING AN "X" IN THE SEVENTH CHARACTER POSITION

11. A  SYMBOL WILL BE NEXT TO ANY DIMENSION, NEW VIEW OR NOTE WHICH HAS BEEN MODIFIED WITH THE CURRENT DRAWING REVISION

mat'l. code		surface		tolerance		projection		product family	
SEE NOTE 1		ASME Y14.5		ASME Y14.5				MEG-Array	
ltr	ecn no	dr	date	tolerances unless otherwise specified		MM		title	
E				angles	X ±3	←		0mm PLUG ASSY	
				linear	XX ±10	→		12 X 44 = 528 POS.	
				0° ±2'	XXX ±050	scale 1:1		dwg no	
		dr	D.INGRAM	2003-02-05			sheet 4 of 4		size
		engr	D.WHITING	2003-02-05			10022671		A4
		chr	D.WHITING	2003-02-05			type		CUSTOMER Drawing
		appd	D.WHITING	2003-02-05					
sheet index	revision sheet								