

6

5

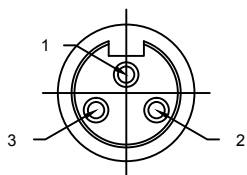
4

3

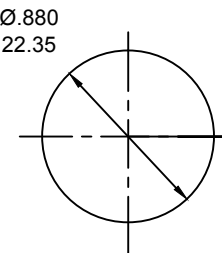
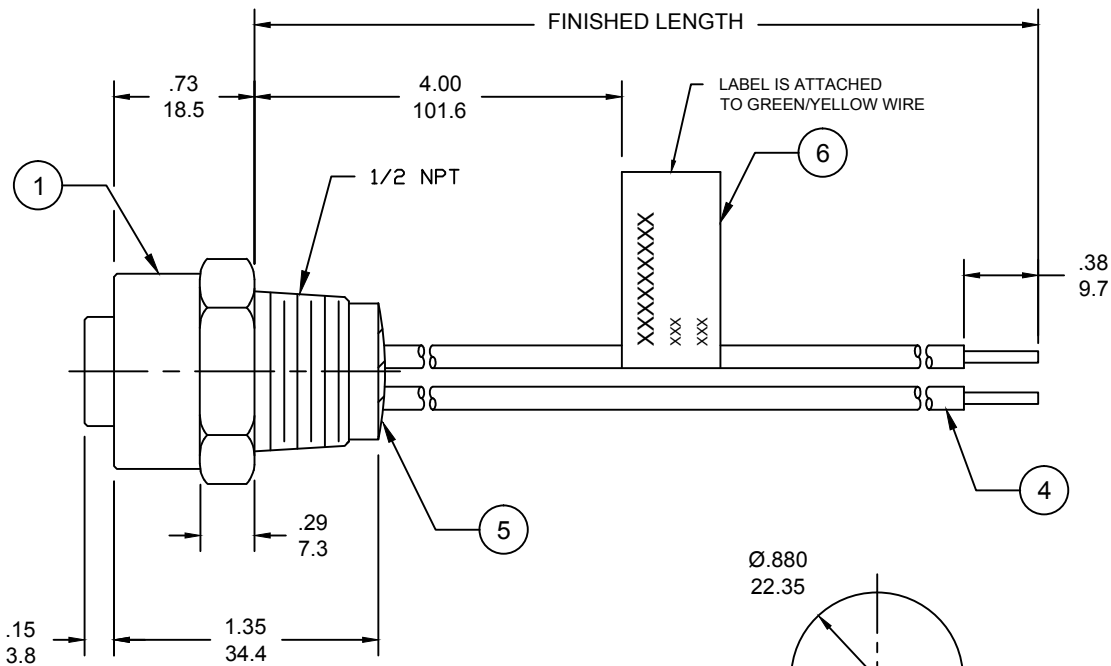
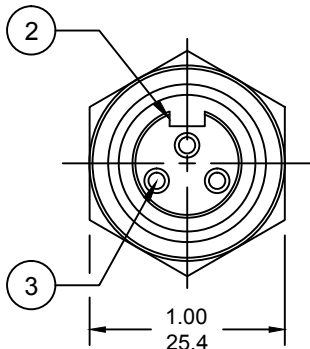
2

1

FACE VIEW-FEMALE INSERT



- 1 GREEN/YELLOW
- 2 BLACK
- 3 WHITE



NOTES:

- 1. MATERIAL: AS NOTED
- 2. FINISH: AS NOTED
- 3. ELECTRICAL:
VOLTAGE: 400V PER IEC60664
600V PER UL2237
CURRENT: 13A
- 4. TEMP RATING: -20°TO +90°C
- 5. PROTECTION: IP67 (WHEN MATED)
- 6. COUPLING THREAD: 7/8-16UN
- 7. ALL DIMS ARE FOR REFERENCE UNLESS NOTED OTHERWISE

PART NUMBER LEGEND

1R3000A20M005G

FINISHED LENGTH:
M005= 0.5 METER
M010= 1 METER
M100= 10 METER

REF. KNOCKOUT HOLE

A

6	FLAG LABEL	VINYL	BLACK/YELLOW
5	POTTING MATERIAL	EPDXY	
4	WIRE, 16 AWG (UL 1015)	PVC INSUL	SEE FACE VIEW
3	CONTACT SOCKET	COPPER ALLOY	GOLD PLATED
2	FEMALE INSERT	PVC	BLACK
1	RECEPTACLE SHELL	ZINC DIE-CAST	NICKEL PLATE
ITEM	DESCRIPTION	MATERIAL	FINISH

RELEASED	EC NO: IPC2017-0655	2017/01/11
DRWN: RSTONE	2017/01/11	
CHKD: M ZIELIN	2017/01/26	
APPR: BWOODMAN	2017/01/26	
REV	DESCRIPTION	
A		

QUALITY SYMBOLS	▽=0
	▽C=0

GENERAL TOLERANCES (UNLESS SPECIFIED)	DIMENSION STYLE INCH/MM
4 PLACES ±---	DRAWN BY DATE
3 PLACES ±---	RSTONE 2017/01/11
2 PLACES ±---	CHECKED BY DATE
1 PLACE ±---	M ZIELIN 2017/01/26
ANGULAR ±---°	APPROVED BY DATE
	BWOODMAN 2017/01/26
DRAFT WHERE APPLICABLE MUST REMAIN WITHIN DIMENSIONS	MATERIAL NO. ---
	SIZE A

SCALE ---	DESIGN UNITS INCH	THIRD ANGLE PROJECTION
TITLE		
MINI-CHANGE RECEPTACLE FEMALE 3P, 16 AWG 1/2 NPT, AC COLOR		
MATERIAL NO. ---		
DOCUMENT NO. SD-130066-077		
SHEET NO. 1 OF 1		

THIS DRAWING CONTAINS INFORMATION THAT IS PROPRIETARY TO MOLEX INCORPORATED AND SHOULD NOT BE USED WITHOUT WRITTEN PERMISSION		
---	--	--

6

5

4

3

2

1