

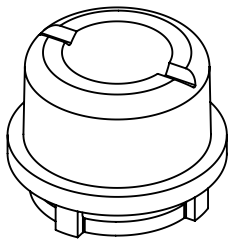
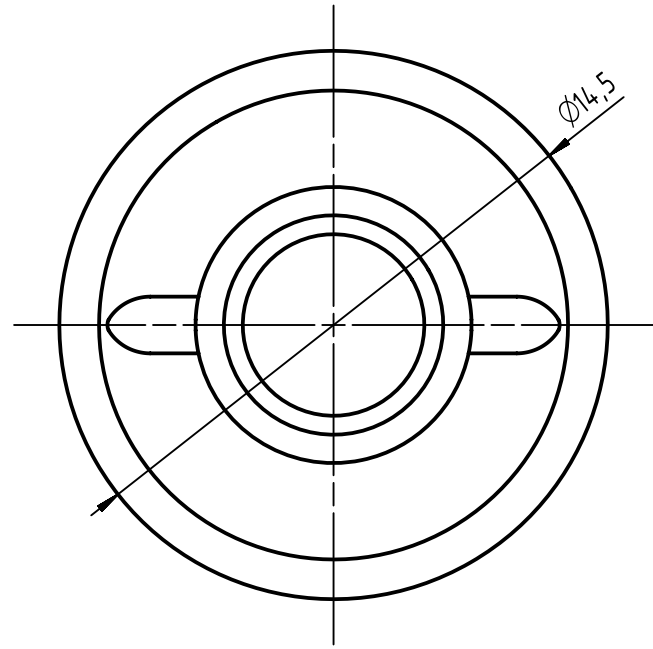
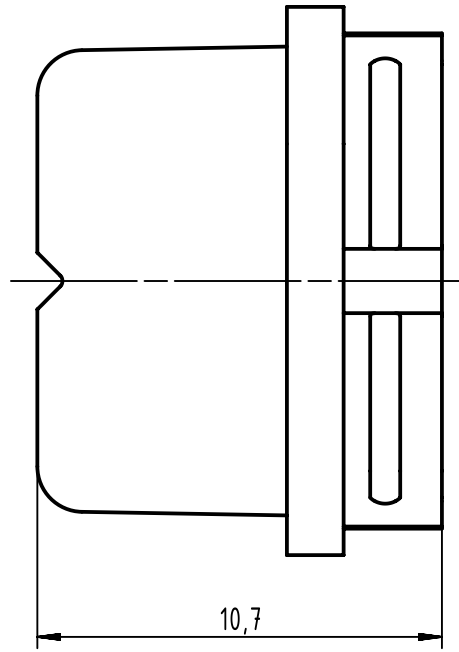
1 2 3 4 5 6

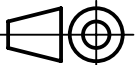

A

B

C

D



 All Dimensions in mm Original Size DIN A4	Scale	Free size tol.			Ref.
	5:1				Sub.
 All rights reserved Department EC PD - DE	Created by	Inspected by	Standardisation	Date	State
	DYCKC	WELLMANN	KOHLER	2013-05-28	Final Release
HARTING Electronics GmbH D-32339 Espelkamp	Title				Doc-Key / ECM-Nr.
	M12-L sealing insert diameter 5.5-7.2				100101769/UGD/001/A 5000000614.84
Type		Number		Rev.	Page
TB		21010102003		A	1/1