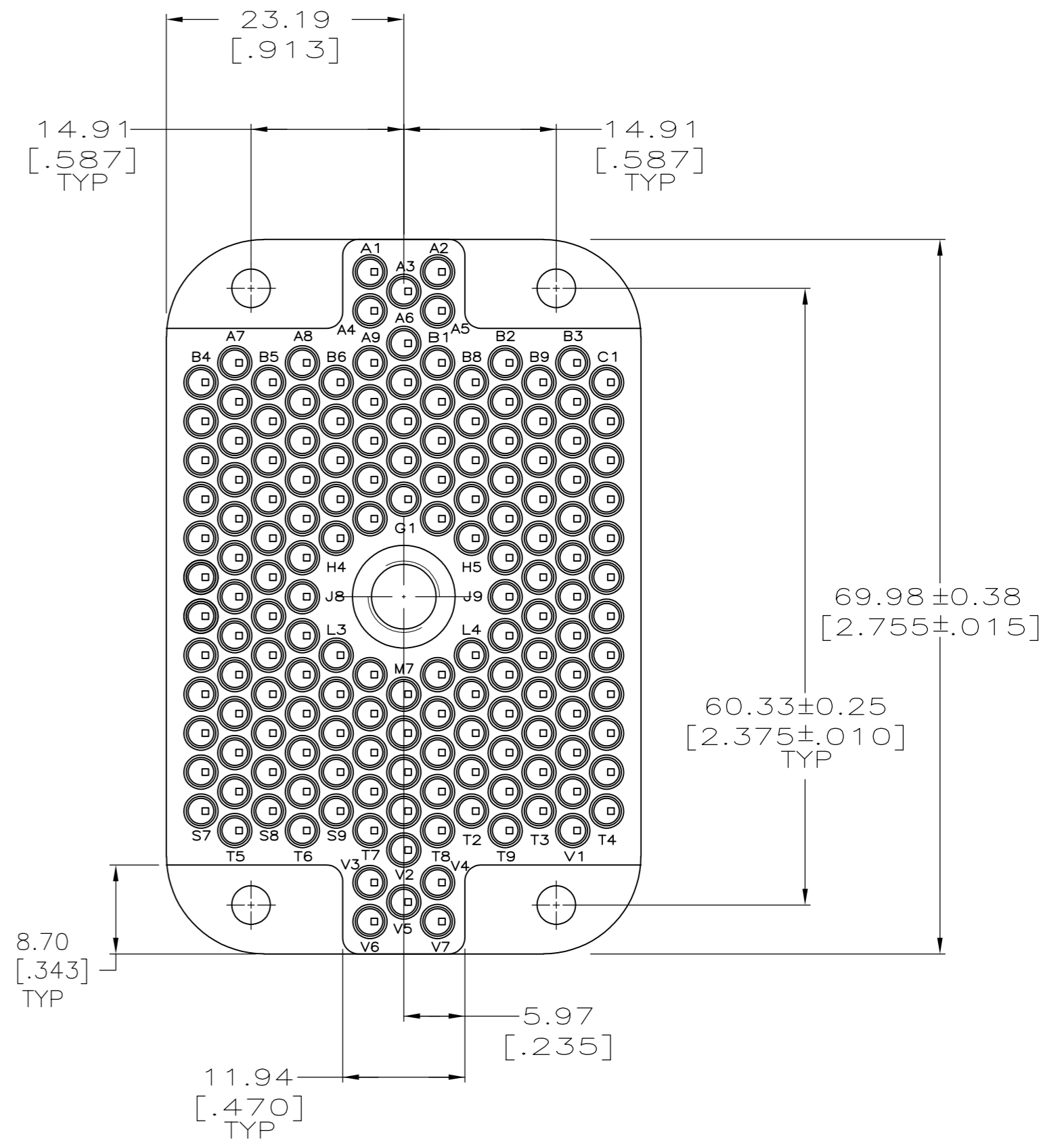
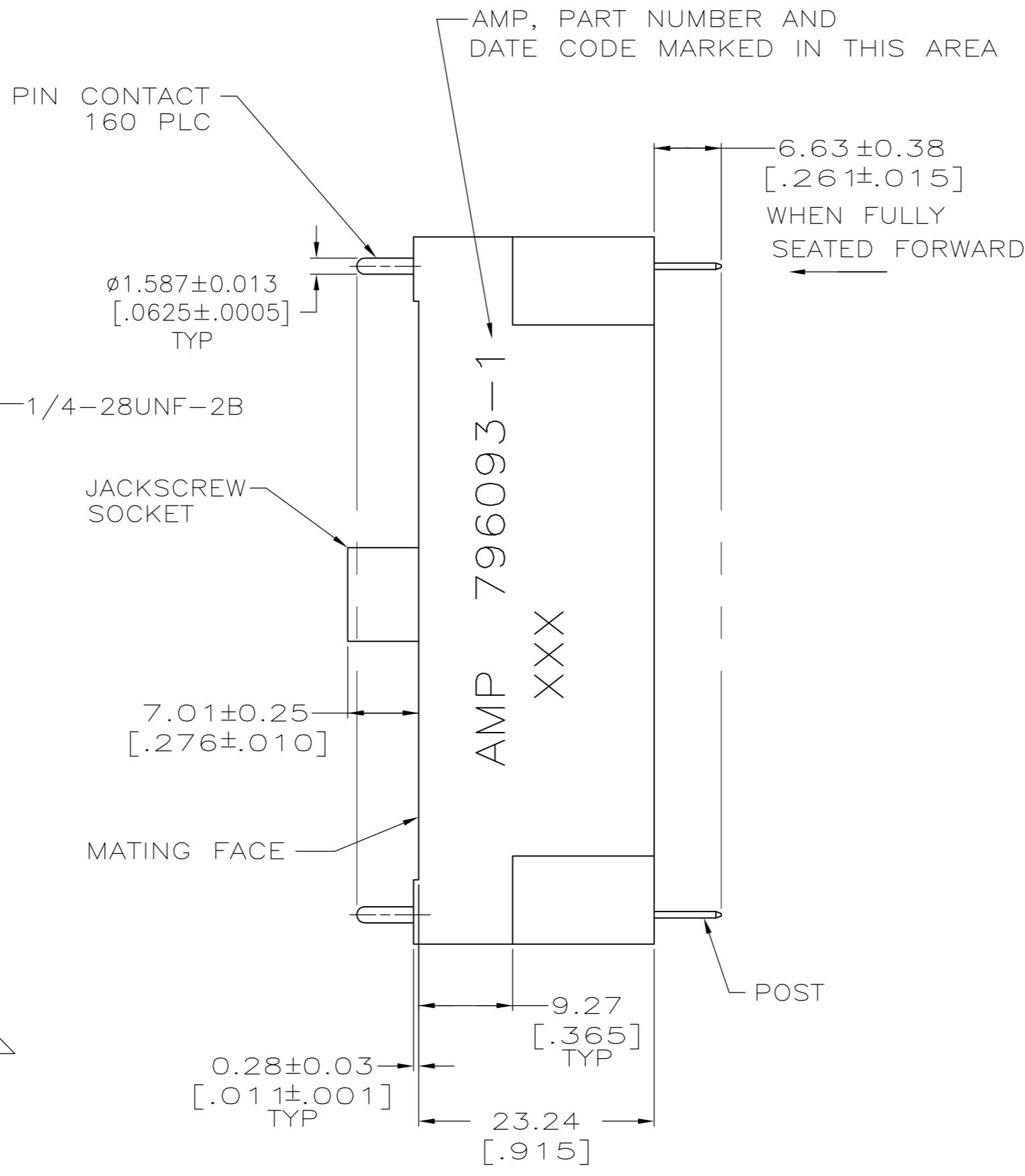
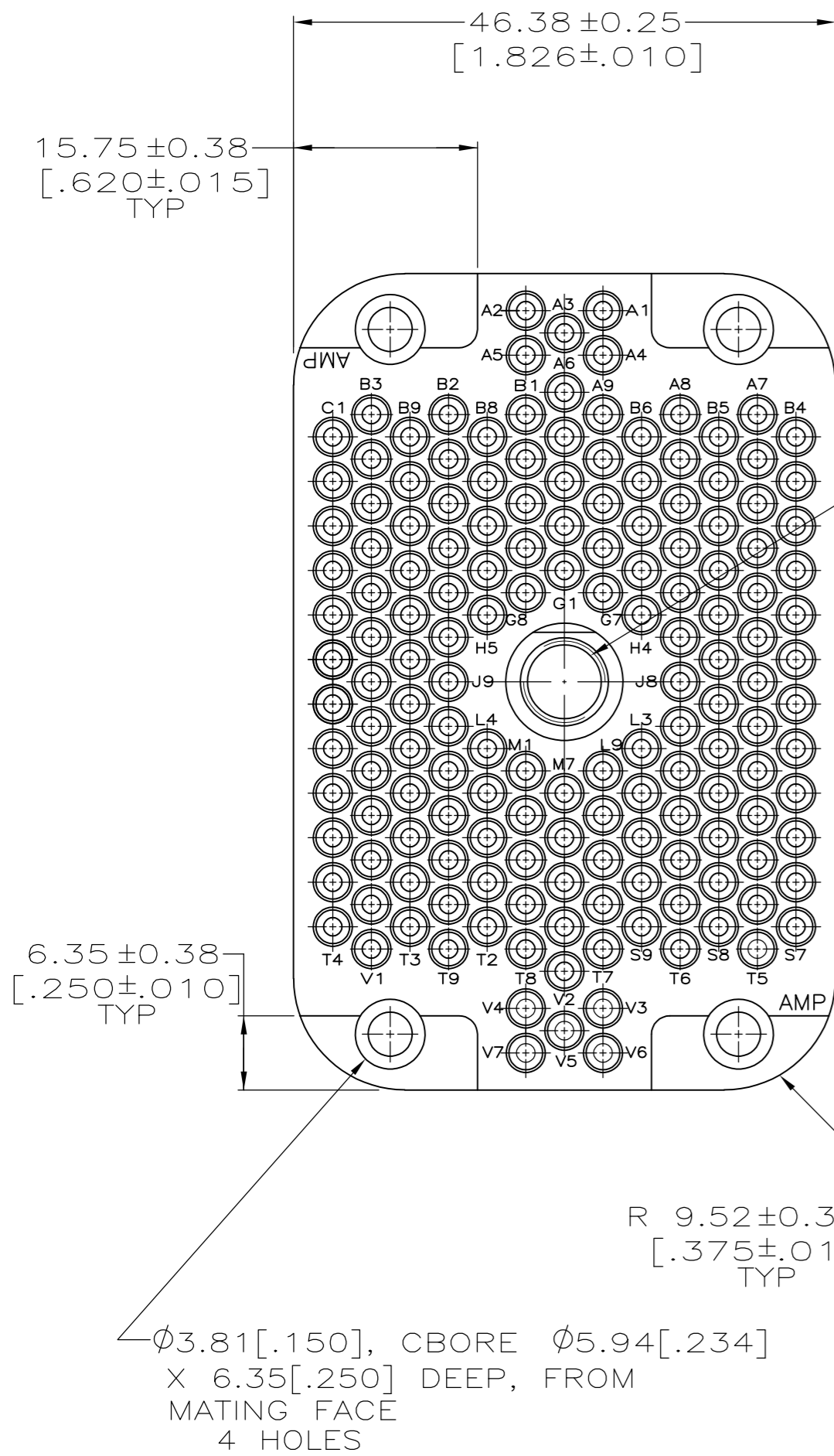


THIS DRAWING IS UNPUBLISHED. RELEASED FOR PUBLICATION
 © COPYRIGHT - By - ALL RIGHTS RESERVED.

LOC	DIST	REVISIONS			
P	LTR	DESCRIPTION	DATE	DWN	APVD
FT	0	B1	REVISED PER ECO-13-008672	31AUG13	KH DR



1 THIS ASSEMBLY MATES WITH 789092.

2 JACKSCREW SOCKET: STAINLESS STEEL.
 PIN CONTACT: BRASS.
 RECEPTACLE BLOCK: DIALLYL PHTHALATE, BLUE.

3 PIN CONTACT: 0.76um[.000030] MIN GOLD ON 1.588[.0625], 6.35[.250] FROM MATING END AND REMAINDER GOLD FLASH ALL OVER 1.27um[.000050] MIN NICKEL.
 POST: 2.54um[.000100] MIN TIN-LEAD PER MIL-T-10727 OVER 2.54um[.000050] MIN NICKEL PER QQ-N-290.

4 PIN CONTACT: 0.76um[.000030] MIN GOLD ON 1.588[.0625], 6.35[.250] FROM MATING END AND REMAINDER GOLD FLASH ALL OVER 1.27um[.000050] MIN NICKEL PER QQ-N-290.
 POST: 2.54um[.000100] MIN TIN PER MIL-T-10727 OVER 2.54um[.000050] MIN NICKEL PER QQ-N-290.

OBsolete	4	796093-2
	3	796093-1
FINISH		PART NUMBER

THIS DRAWING IS A CONTROLLED DOCUMENT.

DWN	C.DORWART	20 APR 98
CHK	G.STEINHAUER	21 APR 98
APVD	G.STEINHAUER	21 APR 98

TE Connectivity

RECEPTACLE ASSEMBLY, 160 POSITION, POSTED, M SERIES

SIZE	CAGE CODE	DRAWING NO	RESTRICTED TO
A2	00779	C=796093	-

CUSTOMER DRAWING

SCALE	SHEET	REV
2:1	1 of 1	B1