



- ✓ Safety: Medical IEC 60601 3rd Ed, Amend 1
- ✓ BF Leakage, 2 MOPP
- ✓ Compatible with HP Laptop PCs
- ✓ Class II Operation, IEC C18 Input
- ✓ Universal 90-264 VAC Input, 50/60 Hz
- ✓ DoE Efficiency Level VI, RoHS



PRODUCT DESCRIPTION

The Astrodyne TDI EDP65 is a series of external desktop power supplies designed for industrial and medical applications. These products operate over the input voltage range of 90 to 264 VAC at 50-60Hz frequency and produce up to 65 Watts of regulated DC output power. They are compliant with the latest Efficiency Level VI requirements, and certifications for IEC 60601 3rd Edition Amendment 1.

The EDP65 HP Laptop Series is designed with a three-conductor barrel jack DC connector, incorporating a Smart Pin to enable compatibility for charging HP laptop PCs. This feature delivers a medical grade power adapter for utilization of commercial HP laptops in healthcare environments.

Product Model

Model	Output Power	Output Voltage	Output Current	Load Regulation
EDP65-19-MB2-C01	65W	19.5VDC	3.3A	±5%

INPUT SPECIFICATIONS

Input Voltage Range	90-264 VAC
Input Frequency	47-63 Hz (50/60 Hz Nom.)
Input Current	1.62A max at 100VAC 0.72A max at 240VAC
Earth Leakage Current	100uA max at 240VAC

MAIN OUTPUT SPECIFICATIONS

Output Voltage	19.5V
Output Power	65W
No Load Power	210mW max
Load Regulation	±5% max
Line Regulation	±1% max
Over Load Protection*	110-150%, Auto Recovery
Efficiency	89% typ
Over Voltage*	112-132%
Short Circuit	Auto Recovery
Transient Response	110Vin, FL 4 ms
Temperature Coeff.	±0.04%/°C
Ripple/Noise	100mV Pk-Pk max

ISOLATION SPECIFICATIONS

Input to Output	4000VAC
Input to GND	2800VAC
Isolation Resistance	50MΩ

MECHANICAL SPECIFICATIONS

Size **	5.34" x 2.59" x 1.46" 135.6 x 65.8 x 37.1 mm
Weight	12.75oz / 361g
Case Type	Desktop

** Case size only

All Specifications are typical at nominal input, full load, 25°C unless specified otherwise.

*These are stress ratings. Exposure of the devices to any of these conditions may adversely affect long term reliability. Operation under conditions other than the standard operating conditions is neither warranted nor implied.

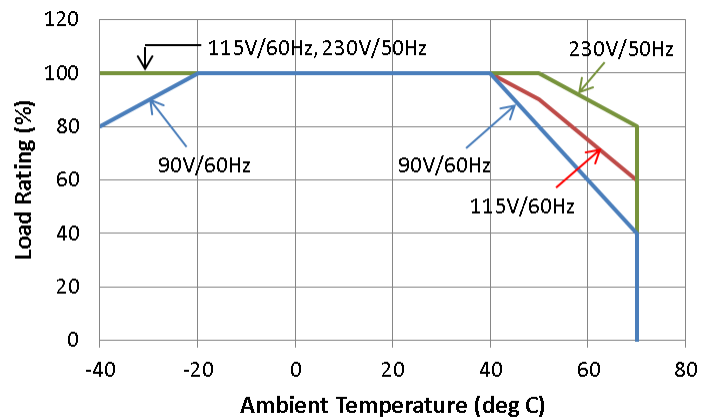
SAFETY AND COMPLIANCE CERTIFICATIONS

Safety Approvals	IEC 60601-1 3 rd Ed, Amend 1: UL/cUL, UL-EU, CB/CE, CSA C22.2
EMC Overall	EN60601-1-2, 4 th Ed, Class B
Conducted and Radiated Emissions	EN 55011 (CISPR11), Class B; FCC Part 15, Class B; ICES-003 Issue 6, Class B
Harmonic Current	EN 61000-3-2, Class B
Voltage Fluctuations	EN 61000-3-3
ESD Immunity	EN 61000-4-2, Level 4
RF Field Immunity	EN 61000-4-3, Level 2
EFT Burst Immunity	EN 61000-4-4, Level 3
Surge Immunity	EN 61000-4-5, Level 2
Conducted Immunity	EN 61000-4-6, Level 2
Magnet Field Immunity	EN 61000-4-8, Level 4
Voltage Dips and Interruptions	EN 61000-4-11
Case Flammability Rating	UL 94 V-1

ENVIRONMENTAL SPECIFICATIONS

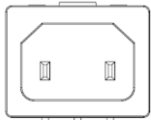
Operating Temperature	-25 to +40°C at Full Load, -40 to +70°C at Reduced Load See derating chart
Cooling	Free Air Convection
Storage Temperature*	-40 to +85°C
Operating Humidity*	0% to 95%, non-condensing
Operating Altitude	3000m max

TEMPERATURE DERATING



MECHANICAL INFORMATION

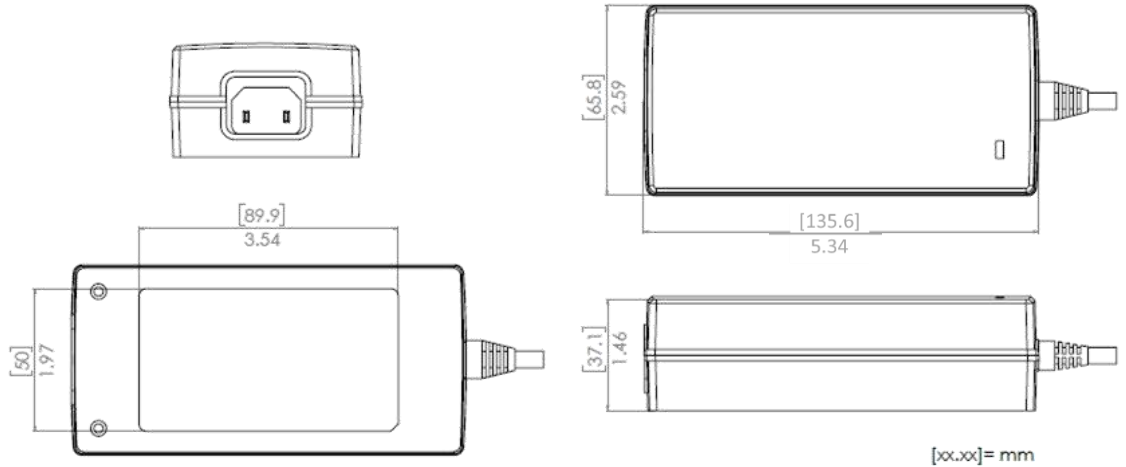
AC Inlet



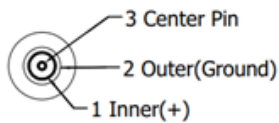
IEC C18

Two pin
Ungrounded
C17 plug mate

Case



DC Cord and Connector



4.5 mm outer diameter
3.0 mm inner diameter
12 mm barrel length

