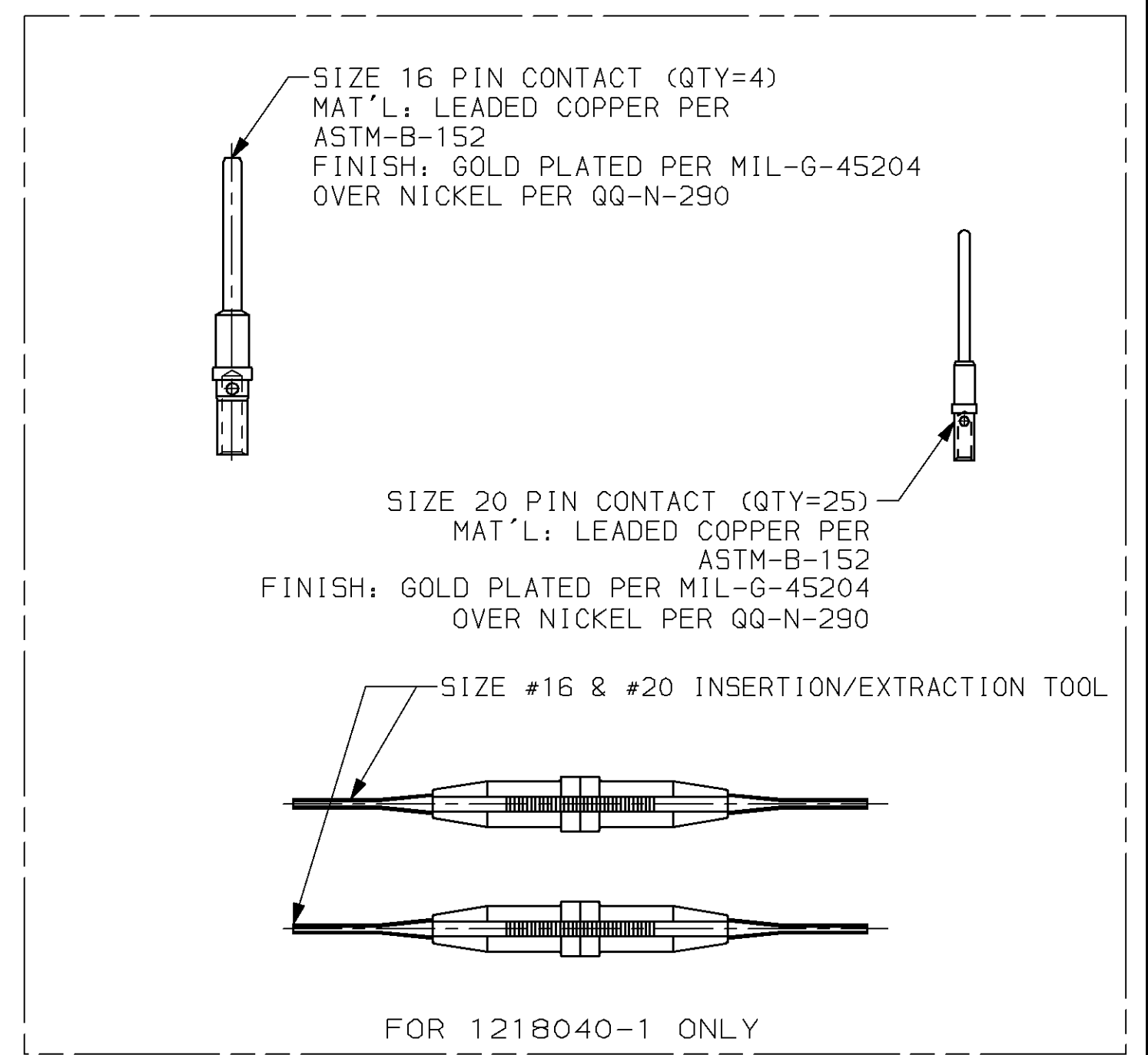
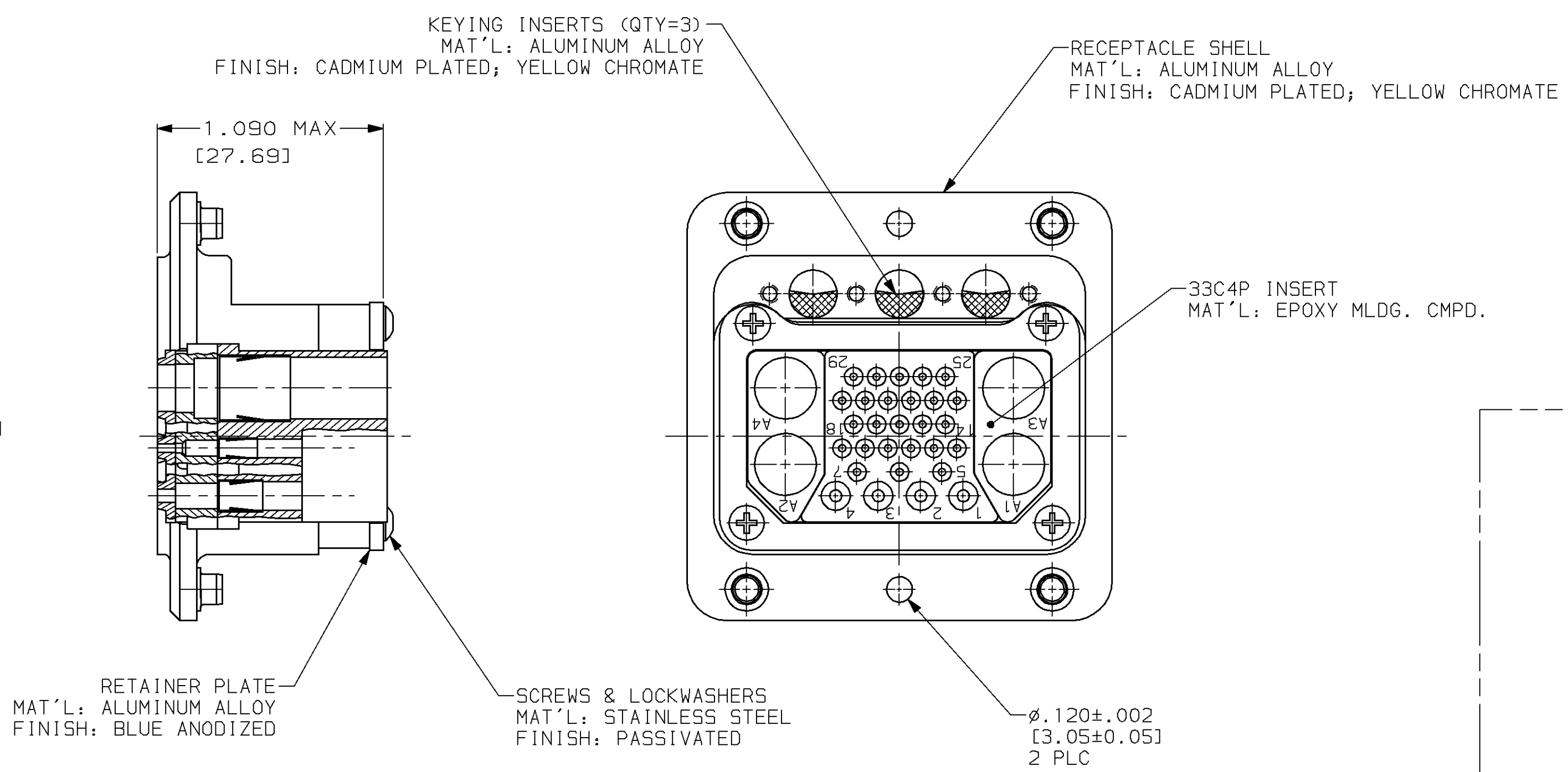
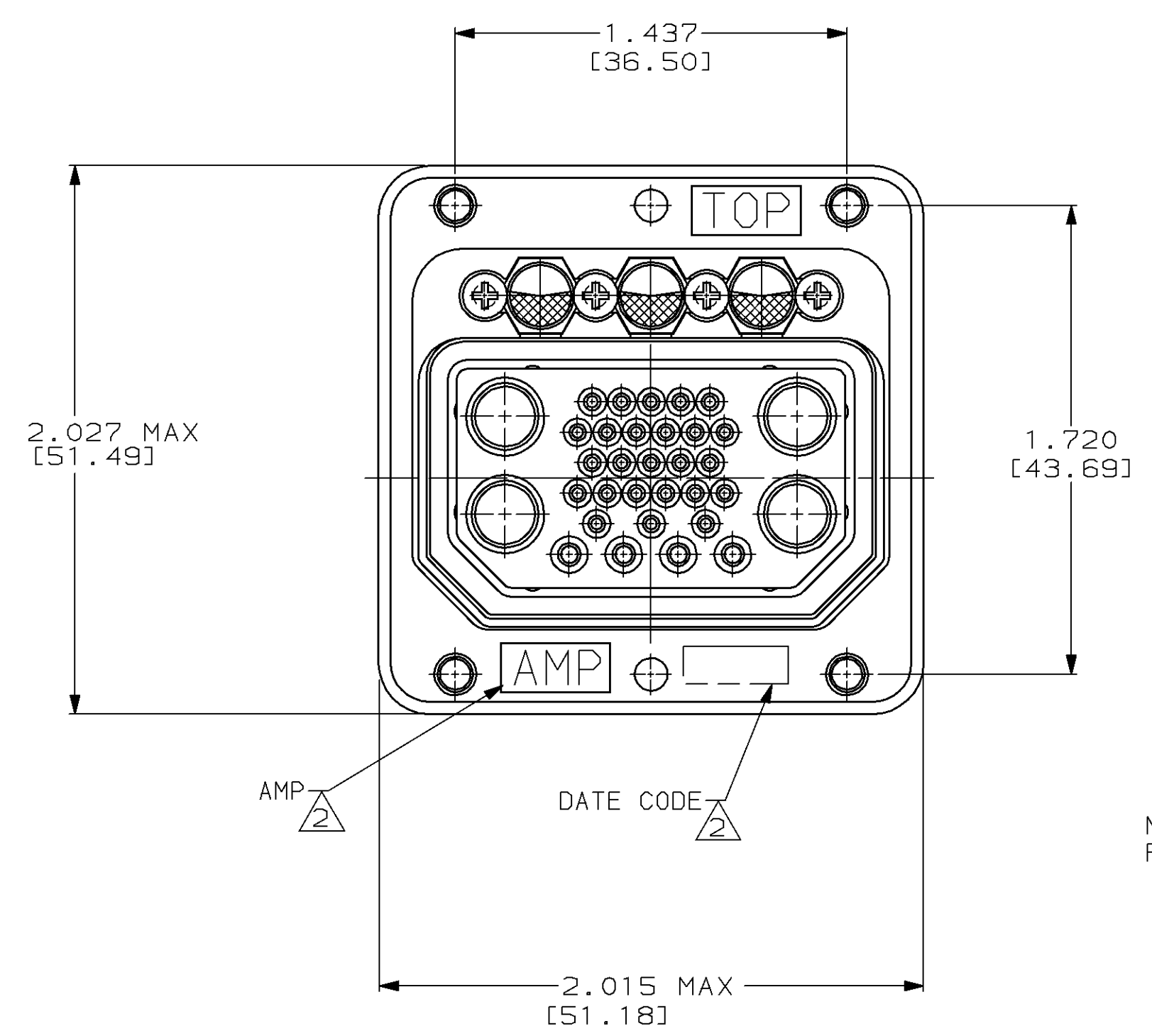
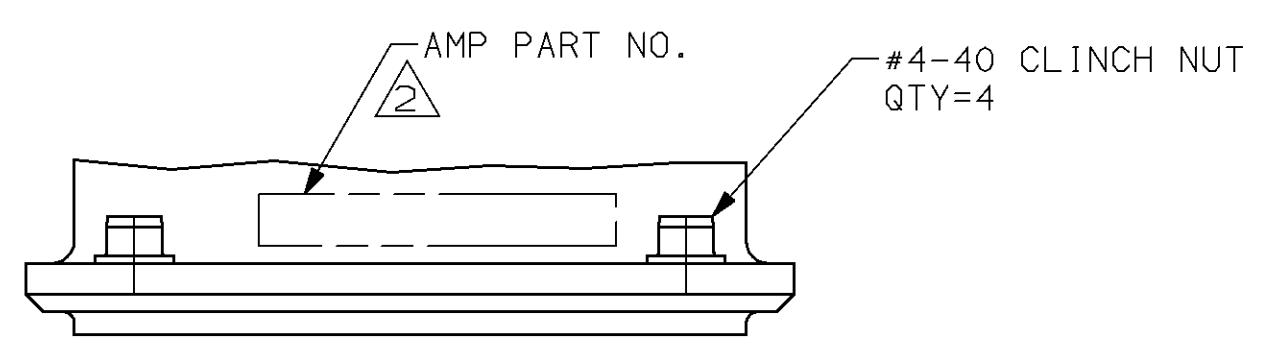


LOC	DIST	REVISIONS					
DF	AO	P	LTR	DESCRIPTION	DATE	DWN	APVD
		A		REV PER 0600-7486-98	5-98	CT	JW



- KEYING ASSEMBLED IN POSITION 01.
- AMP, AMP PART NO. AND DATE CODE MARKED IN AREA SHOWN.
- CONTACTS FOR 1218040-1 ARE PACKAGED IN A SEPARATE CONTAINER AND SHIPPED WITH CONNECTOR. COAX CONTACTS MUST BE ORDERED SEPARATELY.
- ALL CONTACTS AND INSERTION/EXTRACTION TOOLS FOR 1218040-2 ARE NOT SUPPLIED. THEY MUST BE ORDERED SEPARATELY.

4	1218040-2
3	1218040-1
REMARKS	PART NUMBER

THIS DRAWING IS A CONTROLLED DOCUMENT.

DIMENSIONS (INCHES (MM))	TOLERANCES UNLESS OTHERWISE SPECIFIED:	DWN C.C. THOMAS 4/30/98	CHK J. WEAVER 4/30/98	AMP INCORPORATED Harrisburg, PA 17105-3508
0 PLC ±.005	1 PLC ±.005	APVD J. WEAVER 4/30/98	NAME	AMP INCORPORATED
2 PLC ±.005	3 PLC ±.005 (0.131)	PRODUCT SPEC	RECEPTACLE ASSY, ARINC 404	RM1R33C4P-0101
4 PLC ±.005	ANGLES ±.005	APPLICATION SPEC	SIZE A1	CAGE CODE 00779
MATERIAL SEE CALLOUTS	FINISH SEE CALLOUTS	WEIGHT	DRAWING NO. 1218040	RESTRICTED TO
		CUSTOMER DRAWING	SCALE 2:1	SHEET 1 OF 1