

- 1
- 2
- 3
- 4
- 5
- 6
- 7
- 8
- 9
- 10
- 11
- 12
- 13
- 14
- 15
- 16
- 17
- 18

**PROFILE**

Anodised aluminium, natural colour, matte finish.

**PINS SUPPORT**

Acetal resin based (POM) technopolymer, white colour.

**PINS**

AlSI 304 stainless steel.

**ROLLERS**

Polyethylene based (PE) technopolymer, grey colour.

**STANDARD EXECUTIONS**

- GCA-2-RS: with shaped rollers, spherical contact.
- GCA-2-RC: with cylindrical rollers.
- GCA-2-RT: with shaped rollers, cylindrical contact.

**FEATURES AND APPLICATIONS**

GCA-2 central guides are self-supporting structures for the side guide of products with limited vertical dimensions on conveyor belts (Fig.1). Depending on the product to transport, it is recommended to use:

- GCA-2-RS: for the guide of products in cans or in plastic containers;
- GCA-2-RC: for the guide of cardboard products, for a greater fluency;
- GCA-2-RT: for the guide of glass products, in case of accidental breakage they facilitate the expulsion of debris.

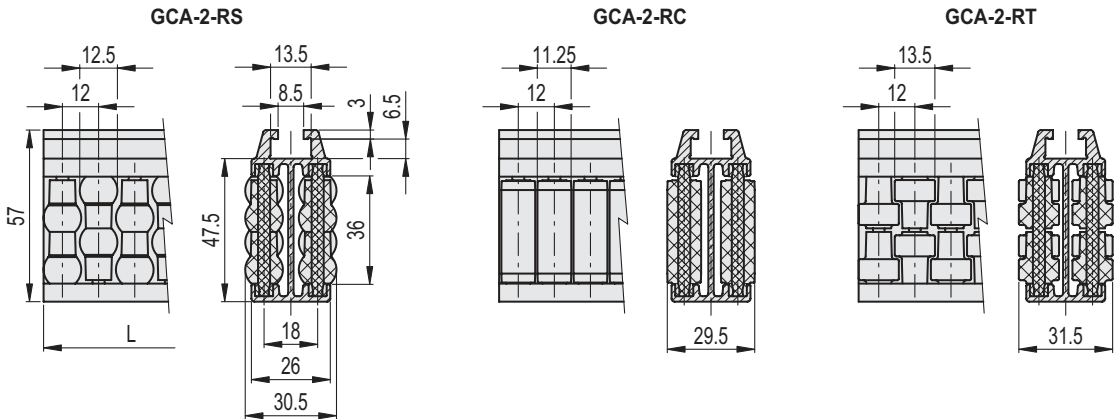
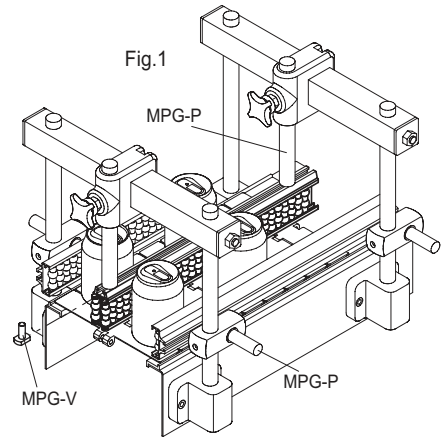
Supplied assembled in bars of 1440 or 3000 mm length.

**SPECIAL EXECUTIONS ON REQUEST**

- Central guides with rollers in different colours.
- Central guides with pins in acetal resin based (POM) technopolymer.

**ACCESSORIES ON REQUEST**

- BDG: zinc-plated steel connecting bar for guides.
- TGL: closing cap for guides.
- PGC-2: separation block for central guide.
- MPG-P: assembly pin.
- MPG-V: zinc-plated steel hammer head screw. (see GLA-1).



**GCA-2-RS**

**METRIC**

Code	Description	L	⚖
419125	GCA-2-RS-57-1440	1440	3170
419121	GCA-2-RS-57-3000	3000	6600

**GCA-2-RC**

**METRIC**

Code	Description	L	⚖
419126	GCA-2-RC-57-1440	1440	3170
419122	GCA-2-RC-57-3000	3000	6600

**GCA-2-RT**

**INOX STAINLESS STEEL METRIC**

Code	Description	L	⚖
419124	GCA-2-RT-57-1440	1440	3170
419123	GCA-2-RT-57-3000	3000	6600