



ANATECH ELECTRONICS INC
RF & Microwave Filters & Products

3200 MHz Cavity Band Pass Filter

Part Number: AE3200B5585



Electrical Specifications

Center Frequency: 3200 MHz
Passband: 3197.5-3202.5 MHz
Insertion Loss @ 3200 MHz: 4.0 dB Max.
Return Loss: 14 dB Min.
Rejection1: ≥ 60 dB @ 3145 MHz
Rejection2: ≥60 dB @ 3255 MHz
Rejection3: ≥70 dB @ 3090 MHz
Rejection4: ≥70 dB @ 3310 MHz

Mechanical

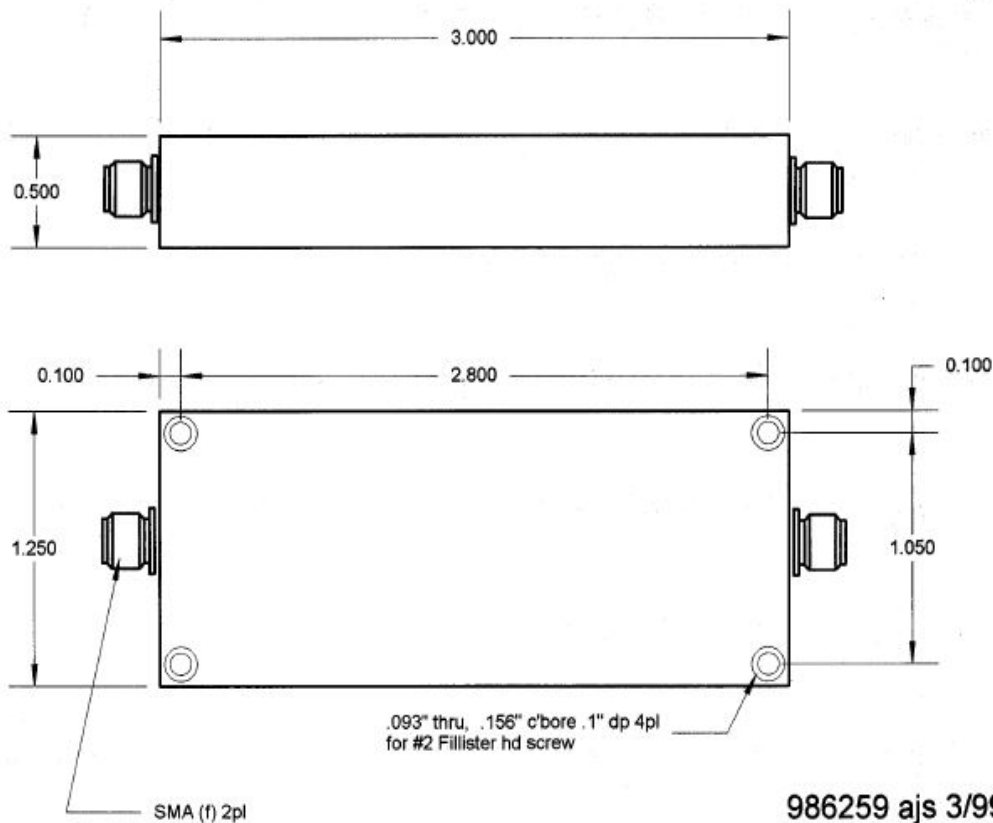
Mounting Method: Through Holes
Connector Type: SMA(F)
Dimensions: 3.0" X 1.25" x 0.5" .

Environmental

Operating Temperature: -25°C to +70°C
Storage Temperature: -40°C to +90°C
Shock: 20 G. 11ms
Vibration: 20 G. 5 to 200Hz

Outline Drawing:

rev A mtg hole chg



2 decimal places: +/-0.01 inches [+/- 0.3mm]
 3 decimal places: +/- 0.005 inches [+/- 0.13mm]
 Angles: +/- 1 Deg.

When max dimensions are called out the above tolerances do not apply as long as it is under the max call out.

70 Outwater Lane Phone: (973) 772-4242
Garfield, NJ 07026 Fax : (973) 321-3941

Email: sales@anatechelectronics.com
Web: www.anatechelectronics.com



Response Plot:

