

**(b) Technical specification/
Technische Daten:**

Working voltage/ Betriebsspannung:	125 V AC
Insulation resistance/ Isolationswiderstand:	$\geq 5 \text{ G}\Omega$
Dielectric withstanding voltage/ Spannungsfestigkeit:	1000 V, 50 Hz, 1 min.
Temperature range/ Temperaturbereich:	- 55 °C ... + 125 °C
Current rating/ Strombelastbarkeit:	7,5 A (UL) / 5 A (CSA, VDE)
Mating cycles/ Steckzyklen:	Quality class 1 = 500 Gütestufe 1 Quality class 2 = 200 Gütestufe 2 Quality class 3 = 50 Gütestufe 3





**Materials/
Werkstoffe:**

Contact/ Kontakt:	Cu alloy, Au over Ni
Insulator/ Isolierkörper:	PBT GF UL 94 V-0
Shell/ Gehäuse:	Steel, Sn over Ni
Metal bracket/ Metallwinkel:	GD-Zn, Cu / Ni / Sn
Threaded insert/ Gewindeeinsatz:	Cu alloy, Sn over Ni
Fixing plate/ Zentrierplatte:	PBT GF UL 94 V-0

**Installation specification/
Montagedaten:**

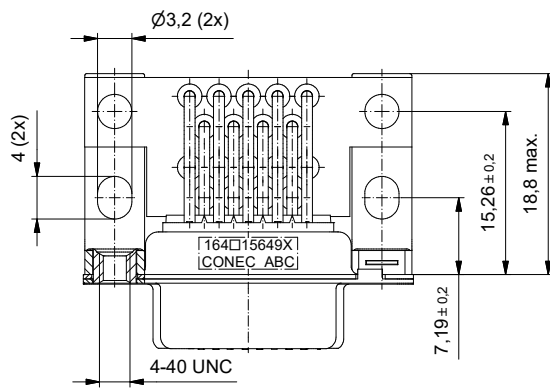
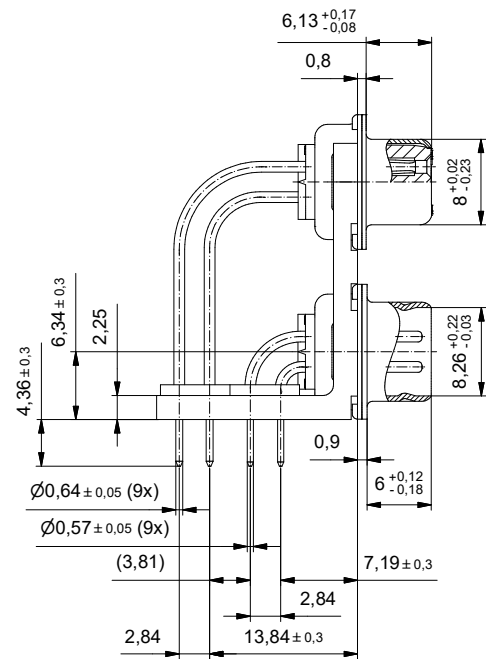
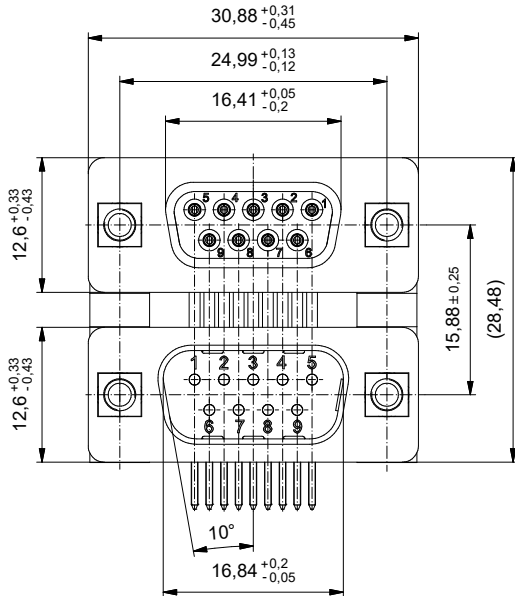
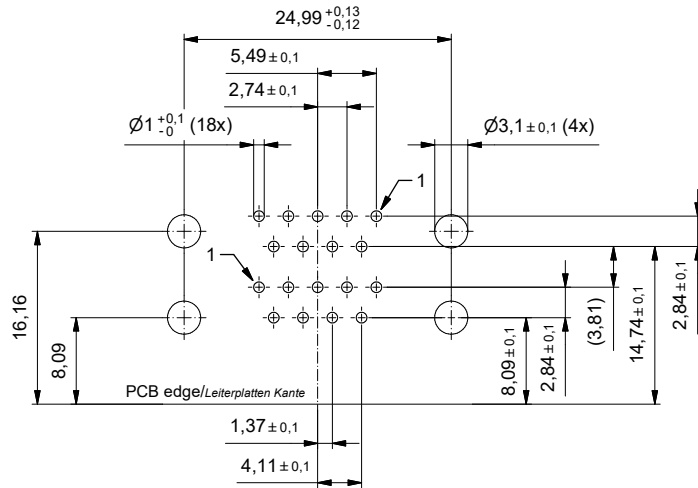
Recommended torque value for thread/ Empfohlenes Drehmoment für Gewinde:	max. 6 in.LB/max. 67 Ncm
PCB hole drillings/ Leiterplattenbohrbild:	see sheet 2/siehe Seite 2

Part no. / Part marked/ Art.-Nr. / Bedruckung:	Quality class/ Gütestufe:	Contact plating/ Kontakt Veredelung:
164A15649X	3	Gold flash over nickel Gold über Nickel
164B15649X	2	20 µin hard gold over min. 50 µin nickel 20 µin Gold über min. 50 µin Nickel
164C15649X	1	30 µin hard gold over min. 50 µin nickel 30 µin Gold über min. 50 µin Nickel

 dim. in mm		D-SUB DUAL PORT 15.88mm 9pos. Female / 9pos. Male with threaded insert, metal bracket, fixing plate D-SUB DUAL PORT 15.88mm 9pol. Buchse / 9pol. Stift mit Gewindeeinsatz, Metallwinkel, Zentrierplatte																	
<table border="1"> <tr> <td>drawn/ gez.</td> <td>Date/Datum</td> <td>Name</td> </tr> <tr> <td>appd./ gepr.</td> <td>09.07.2001</td> <td>Parei</td> </tr> <tr> <td></td> <td>09.07.2001</td> <td>E. Mickenbecker</td> </tr> </table>		drawn/ gez.	Date/Datum	Name	appd./ gepr.	09.07.2001	Parei		09.07.2001	E. Mickenbecker	<table border="1"> <tr> <td>Index: b Ä7672 14.01.2019 JLE</td> <td rowspan="3"> scale/ Maßstab: 2:1 </td> <td rowspan="3">  </td> <td rowspan="3"> dwg no / Z.-nr.: 16K1A238A </td> <td rowspan="3"> DIN- A3 </td> </tr> <tr> <td>Status: InBearbeitung</td> </tr> <tr> <td>RoHS compliant/ konform</td> </tr> </table>		Index: b Ä7672 14.01.2019 JLE	scale/ Maßstab: 2:1		dwg no / Z.-nr.: 16K1A238A	DIN- A3	Status: InBearbeitung	RoHS compliant/ konform
drawn/ gez.	Date/Datum	Name																	
appd./ gepr.	09.07.2001	Parei																	
	09.07.2001	E. Mickenbecker																	
Index: b Ä7672 14.01.2019 JLE	scale/ Maßstab: 2:1		dwg no / Z.-nr.: 16K1A238A	DIN- A3															
Status: InBearbeitung																			
RoHS compliant/ konform																			
		<table border="1"> <tr> <td>1 / 2</td> </tr> </table>		1 / 2															
1 / 2																			

This reproduction, distribution and utilization of this document as well as the communication of its contents to others without express authorization is prohibited. Offenders will be held liable for the payment of damages. For further information on our legal notices, please refer to our website: www.conec.com.

PCB hole drillings
(PCB top side) /
Leiterplattenbohrbild
(Leiterplatten Oberseite)



		dim. in mm		D-SUB DUAL PORT 15.88mm 9pos. Female / 9pos. Male with threaded insert, metal bracket, fixing plate	
		Date/Datum	Name	D-SUB DUAL PORT 15.88mm 9pol. Buchse / 9pol. Stift mit Gewindeinsatz, Metallwinkel, Zentrierplatte	
drawn/gez.	09.07.2001	Parei			
appd./gepr.	09.07.2001	E. Mickenbecker			
Index:	b Ä7672 14.01.2019 JLE	scale/ Maßstab:	2:1	dwg no / Z.-nr.:	16K1A238A
Status:	InBearbeitung	CONEC®		DIN-A3	
RoHS compliant/ konform				2 / 2	

This reproduction, distribution and utilization of this document as well as the communication of its contents to others without express authorization is prohibited. Offenders will be held liable for the payment of damages. For further information on our legal notices please refer to our privacy policy (www.conec.com/privacy-policy) and our terms of use (www.conec.com/terms-of-use).