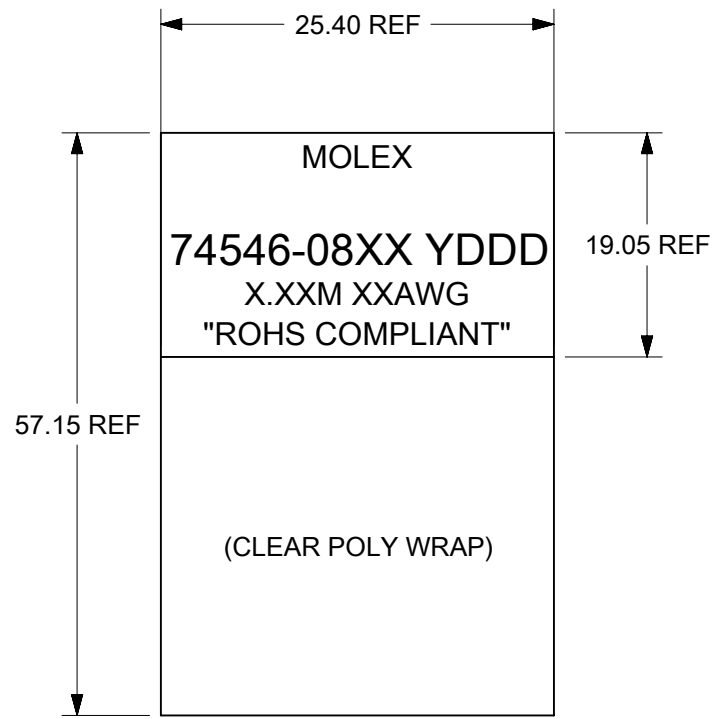


LABEL DETAILS



| P/N | LENGTH | GAGE | TOLERANCE | JACKET RATING |
|------------|--------------|------|-----------|---------------|
| 74546-0801 | 1M | 28 | 0.05M | VW1 |
| 74546-0802 | 2M | 28 | 0.05M | VW1 |
| 74546-0803 | 3M | 28 | 0.05M | VW1 |
| 74546-0804 | 4M | 28 | 0.10M | VW1 |
| 74546-0805 | 5M | 26 | 0.10M | CL2 |
| 74546-0806 | 6M | 26 | 0.13M | CL2 |
| 74546-0807 | 7M | 24 | 0.13M | CL2 |
| 74546-0808 | 8M Δ | 24 | 0.13M | CL2 |
| 74546-0809 | 9M Δ | 24 | 0.15M | CL2 |
| 74546-0810 | 10M Δ | 24 | 0.15M | CL2 |
| 74546-0813 | 0.5M | 28 | 0.03M | VW1 |

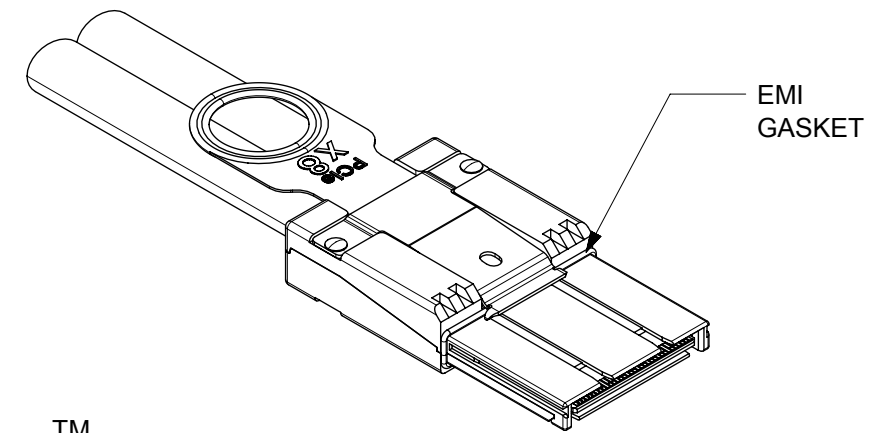
- NOTES:**
- MATERIAL= BACKSHELLS - ZINC DIECAST
PULL - NYLON
CABLE JACKET RATING - SEE TABLE.
 - LENGTH AND TOLERANCE - SEE TABLE
 - ELECTRICAL PERFORMANCE PER PCI EXPRESS EXTERNAL CABLING SPEC.
 - PLUG MATES TO RECEPTACLE 75586-0002, AND EMI GUIDE HOUSING ASSY. 74540-0100
 - ASSEMBLY IS TO BE RoHS COMPLIANT BY FEBRUARY 1, 2006.
- Δ . NOT COMPLIANT WITH INSERTION LOSS SPEC PER THR PCIe CABLING SPEC.

P/N: 74546-08XX - MOLEX PART NUMBER (SEE P/N TABLE)

X.XXM = CABLE LENGTH IN METERS (EX-0.5M, 1.0M, 1.5M)
SEE P/N TABLE FOR THE NUMBER OF DIGITS

XXAWG = CABLE SIZE IN AWG

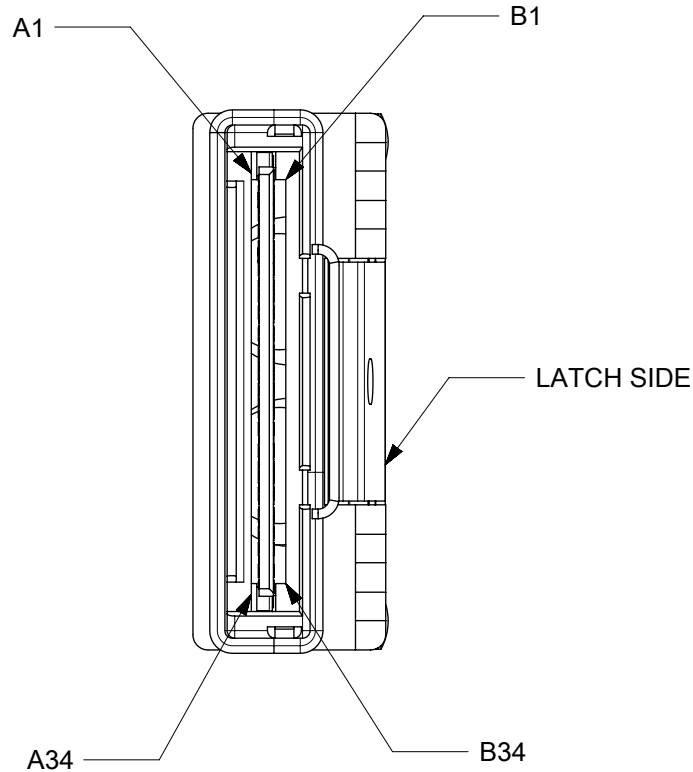
S/N: YDDD - SERIAL NUMBER
Y = YEAR, THE LAST DIGIT OF YEAR
DDD = DAY OF THE YEAR



TM
IPASS IS A TRADEMARK OF MOLEX

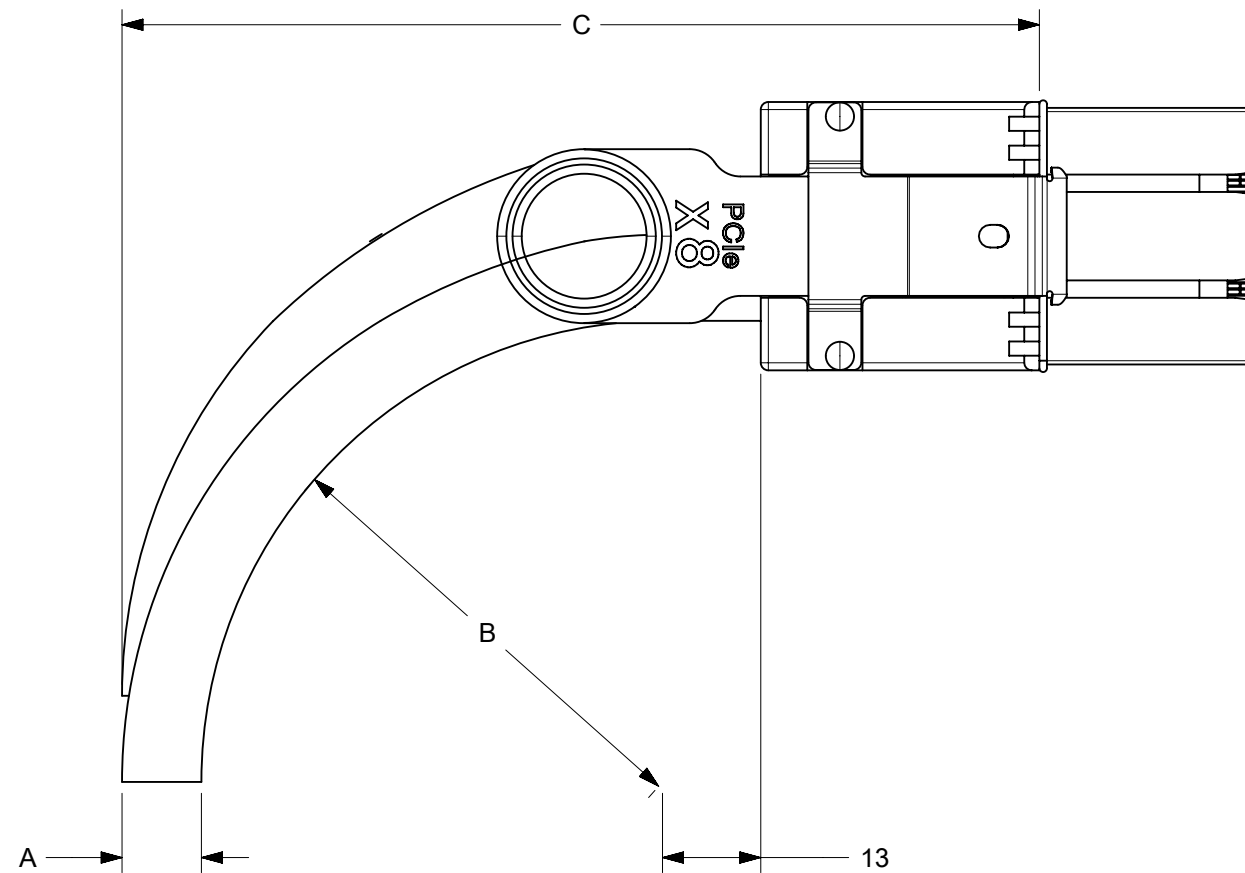
| | | | | | | | | |
|--|---|---------------------------|----------------------------------|--------|-----------------|--------------------------|--------------|--|
| FUNCTIONAL SYMBOLS F=0 E=0 V=0 | THIS DRAWING CONTAINS INFORMATION THAT IS PROPRIETARY TO MOLEX ELECTRONIC TECHNOLOGIES, LLC AND SHOULD NOT BE USED WITHOUT WRITTEN PERMISSION | | CURRENT REV DESC: MIGRATED TO NX | | | molex | | |
| | DIMENSION UNITS | SCALE | | | | | | |
| | GENERAL TOLERANCES (UNLESS SPECIFIED) | | EC NO: 697045 | | | PRODUCT CUSTOMER DRAWING | | |
| | ANGULAR TOL \pm 0.5° | | DRWN: SKRISHNAMURT 2022/01/14 | | | DOCUMENT NUMBER | | |
| 4 PLACES \pm | | CHKD: JORTIZ02 2022/02/24 | | | SD-74546-800 | | | |
| 3 PLACES \pm | | APPR: JORTIZ02 2022/02/24 | | | PSD 001 L1 | | | |
| 2 PLACES \pm 0.13 | | INITIAL REVISION: | | | DOC TYPE | | | |
| 1 PLACE \pm 0.25 | | DRWN: BREED 2004/11/16 | | | DOC PART | | | |
| 0 PLACES \pm | | APPR: DDOYE 2004/12/02 | | | REVISION | | | |
| DRAFT WHERE APPLICABLE MUST REMAIN WITHIN DIMENSIONS | | THIRD ANGLE PROJECTION | DRAWING | SERIES | MATERIAL NUMBER | CUSTOMER | SHEET NUMBER | |
| | | | B-SIZE | 74546 | SEE TABLE | GENERAL MARKET | 1 OF 4 | |

| | | | |
|---------|-----|-----|---------|
| GND | A1 | B1 | GND |
| PETp0 | A2 | B2 | PERp0 |
| PETn0 | A3 | B3 | PERn0 |
| GND | A4 | B4 | GND |
| PETp1 | A5 | B5 | PERp1 |
| PETn1 | A6 | B6 | PERn1 |
| GND | A7 | B7 | GND |
| PETp2 | A8 | B8 | PERp2 |
| PETn2 | A9 | B9 | PERn2 |
| GND | A10 | B10 | GND |
| PETp3 | A11 | B11 | PERp3 |
| PETn3 | A12 | B12 | PERn3 |
| GND | A13 | B13 | GND |
| CREFLK+ | A14 | A14 | CREFLK+ |
| CREFLK- | A15 | A15 | CREFLK- |
| GND | A16 | A16 | GND |
| NC | A17 | A17 | NC |
| NC | A18 | A18 | NC |
| SB_RTN | A19 | A19 | SB_RTN |
| CPRSNT# | A20 | A20 | CPRSNT# |
| CPWRON | A21 | A21 | CPWRON |
| GND | A22 | B22 | GND |
| PETp4 | A23 | B23 | PERp4 |
| PETn4 | A24 | B24 | PERn4 |
| GND | A25 | B25 | GND |
| PETp5 | A26 | B26 | PERp5 |
| PETn5 | A27 | B27 | PERn5 |
| GND | A28 | B28 | GND |
| PETp6 | A29 | B29 | PERp6 |
| PETn6 | A30 | B30 | PERn6 |
| GND | A31 | B31 | GND |
| PETp7 | A32 | B32 | PERp7 |
| PETn7 | A33 | B33 | PERn7 |
| GND | A34 | B34 | GND |
| GND | B1 | A1 | GND |
| PERp0 | B2 | A2 | PETp0 |
| PERn0 | B3 | A3 | PETn0 |
| GND | B4 | A4 | GND |
| PERp1 | B5 | A5 | PETp1 |
| PERn1 | B6 | A6 | PETn1 |
| GND | B7 | A7 | GND |
| PERp2 | B8 | A8 | PETp2 |
| PERn2 | B9 | A9 | PETn2 |
| GND | B10 | A10 | GND |
| PERp3 | B11 | A11 | PETp3 |
| PERn3 | B12 | A12 | PETn3 |
| GND | B13 | A13 | GND |
| NC | B14 | B14 | NC |
| NC | B15 | B15 | NC |
| NC | B16 | B16 | NC |
| NC | B17 | B17 | NC |
| NC | B18 | B18 | NC |
| NC | B19 | B19 | NC |
| CWAKE# | B20 | B20 | CWAKE# |
| CPERST# | B21 | B21 | CPERST# |
| GND | B22 | A22 | GND |
| PERp4 | B23 | A23 | PETp4 |
| PERn4 | B24 | A24 | PETn4 |
| GND | B25 | A25 | GND |
| PERp5 | B26 | A26 | PETp5 |
| PERn5 | B27 | A27 | PETn5 |
| GND | B28 | A28 | GND |
| PERp6 | B29 | A29 | PETp6 |
| PERn6 | B30 | A30 | PETn6 |
| GND | B31 | A31 | GND |
| PERp7 | B32 | A32 | PETp7 |
| PERn7 | B33 | A33 | PETn7 |
| GND | B34 | A34 | GND |



TM
IPASS IS A TRADEMARK OF MOLEX

| | | | | | | | | |
|--|---|------------------------|----------------------------|--------|-----------------|---|--------------|--|
| FUNCTIONAL SYMBOLS | THIS DRAWING CONTAINS INFORMATION THAT IS PROPRIETARY TO MOLEX ELECTRONIC TECHNOLOGIES, LLC AND SHOULD NOT BE USED WITHOUT WRITTEN PERMISSION | | | | | | | |
| | DIMENSION UNITS | SCALE | | | | CURRENT REV DESC: MIGRATED TO NX EC NO: 697045 DRWN: SKRISHNAMURT 2022/01/14 CHKD: JORTIZ02 2022/02/24 APPR: JORTIZ02 2022/02/24 INITIAL REVISION: DRWN: BREED 2004/11/16 APPR: DDOYE 2004/12/02 | | |
| | GENERAL TOLERANCES (UNLESS SPECIFIED) | | | | | | | |
| | ANGULAR TOL | ± 0.5° | | | | | | |
| DIVISIONAL SYMBOLS | 4 PLACES | ± | PRODUCT CUSTOMER DRAWING | | | | | |
| | 3 PLACES | ± | DOCUMENT NUMBER | | | | | |
| | 2 PLACES | ± 0.13 | SD-74546-800 | | | | | |
| | 1 PLACE | ± 0.25 | DOC TYPE DOC PART REVISION | | | | | |
| | 0 PLACES | ± | PSD 001 L1 | | | | | |
| DRAFT WHERE APPLICABLE MUST REMAIN WITHIN DIMENSIONS | | THIRD ANGLE PROJECTION | DRAWING | SERIES | MATERIAL NUMBER | CUSTOMER | SHEET NUMBER | |
| | | | B-SIZE | 74546 | SEE TABLE | GENERAL MARKET | 2 OF 4 | |



| CABLE GAGE | 24 | 26 | 28 |
|------------------------------|-------|------|------|
| A. CABLE DIAMETER | 10.4 | 9.3 | 8.4 |
| B. MINIMUM OUTER RADIUS | 46.9 | 41.7 | 37.7 |
| C. FACEPLATE TO OUTER RADIUS | 102.2 | 97.0 | 93.0 |

TM
IPASS IS A TRADEMARK OF MOLEX

| | | | | | |
|--|---|---|---|----------|-----------------|
| FUNCTIONAL SYMBOLS | THIS DRAWING CONTAINS INFORMATION THAT IS PROPRIETARY TO MOLEX ELECTRONIC TECHNOLOGIES, LLC AND SHOULD NOT BE USED WITHOUT WRITTEN PERMISSION | | <div style="text-align: center;">molex</div> <p>I-PASS X8 CABLE ASSEMBLY GEN 1</p> | | |
| | $\nabla_A = 0$ $\nabla_B = 0$ $\nabla_C = 0$ | DIMENSION UNITS: mm SCALE: 1:1 | | | |
| DIVISIONAL SYMBOLS | GENERAL TOLERANCES (UNLESS SPECIFIED) | | DOCUMENT NUMBER | | |
| | ANGULAR TOL $\pm 0.5^\circ$ | | SD-74546-800 | | |
| | 4 PLACES \pm | | DOC TYPE | DOC PART | REVISION |
| | 3 PLACES \pm | | PSD | 001 | L1 |
| 2 PLACES ± 0.13 | | INITIAL REVISION: | | | |
| 1 PLACE ± 0.25 | | DRWN: BREED 2004/11/16 | | | |
| 0 PLACES \pm | | APPR: DDOYE 2004/12/02 | | | |
| DRAFT WHERE APPLICABLE MUST REMAIN WITHIN DIMENSIONS | | THIRD ANGLE PROJECTION | DRAWING | SERIES | MATERIAL NUMBER |
| | | | B-SIZE | 74546 | SEE TABLE |
| | | | CUSTOMER | | SHEET NUMBER |
| | | | GENERAL MARKET | | 3 OF 4 |

F

F

E

E

D

D

C

C

B

B

A

A

| REV | DATE | DESCRIPTION |
|-----|------------|---|
| A | N/A | N/A |
| B | N/A | N/A |
| C | N/A | N/A |
| D | N/A | N/A |
| E | N/A | N/A |
| F | N/A | N/A |
| G | N/A | N/A |
| H | N/A | N/A |
| I | N/A | N/A |
| J | N/A | N/A |
| K | N/A | N/A |
| L | N/A | N/A |
| L1 | 01/27/2022 | 1) MIGRATED THE SLAES DRAWING TO NX 2) ADDED THE BARCODE IN THE LABEL WHICH CONTAINS PART NUMBER AND SERIAL NUMBER |
| | | |
| | | |
| | | |
| | | |

| | | | | | | | | | |
|---|---------------------------------------|-------|----------------------------------|---|----------|----------------|--------------|--------|--|
| THIS DRAWING CONTAINS INFORMATION THAT IS PROPRIETARY TO MOLEX ELECTRONIC TECHNOLOGIES, LLC AND SHOULD NOT BE USED WITHOUT WRITTEN PERMISSION | | | | | | | | | |
| FUNCTIONAL SYMBOLS | DIMENSION UNITS | SCALE | CURRENT REV DESC: MIGRATED TO NX | | | | | | |
| | $\nabla = 0$ | mm | 1:1 | EC NO: 697045 DRWN: SKRISHNAMURT 2022/01/14 CHKD: JORTIZ02 2022/02/24 APPR: JORTIZ02 2022/02/24 INITIAL REVISION: DRWN: BREED 2004/11/16 APPR: DDOYE 2004/12/02 | | | | | |
| | GENERAL TOLERANCES (UNLESS SPECIFIED) | | | | | | | | |
| | ANGULAR TOL $\pm 0.5^\circ$ | | | | | | | | |
| | 4 PLACES \pm | | | | | | | | |
| DIVISIONAL SYMBOLS | 3 PLACES \pm | | PRODUCT CUSTOMER DRAWING | | | | | | |
| | 2 PLACES ± 0.13 | | DOCUMENT NUMBER | | DOC TYPE | DOC PART | REVISION | | |
| | 1 PLACE ± 0.25 | | SD-74546-800 | | PSD | 001 | L1 | | |
| | 0 PLACES \pm | | MATERIAL NUMBER | | CUSTOMER | | SHEET NUMBER | | |
| DRAFT WHERE APPLICABLE MUST REMAIN WITHIN DIMENSIONS | | | THIRD ANGLE PROJECTION | DRAWING | SERIES | GENERAL MARKET | | 4 OF 4 | |
| | | | | B-SIZE | 74546 | | | | |