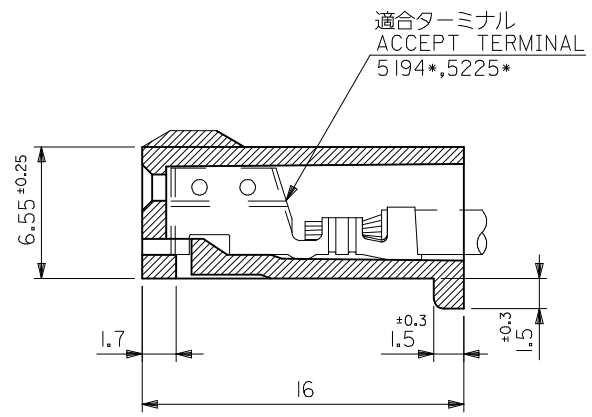
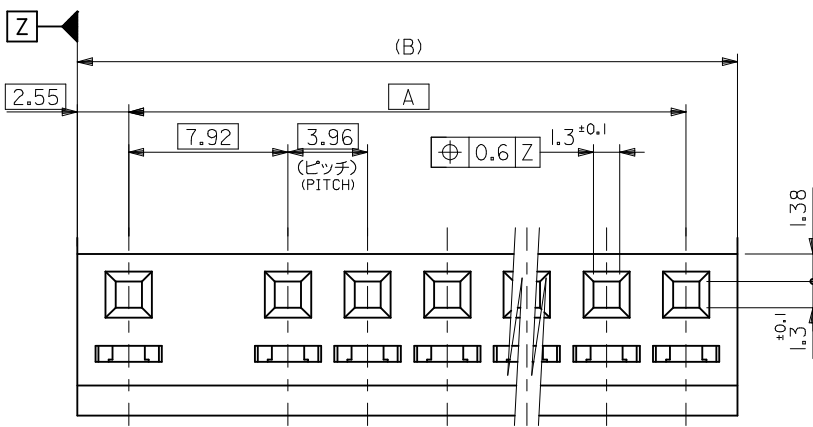
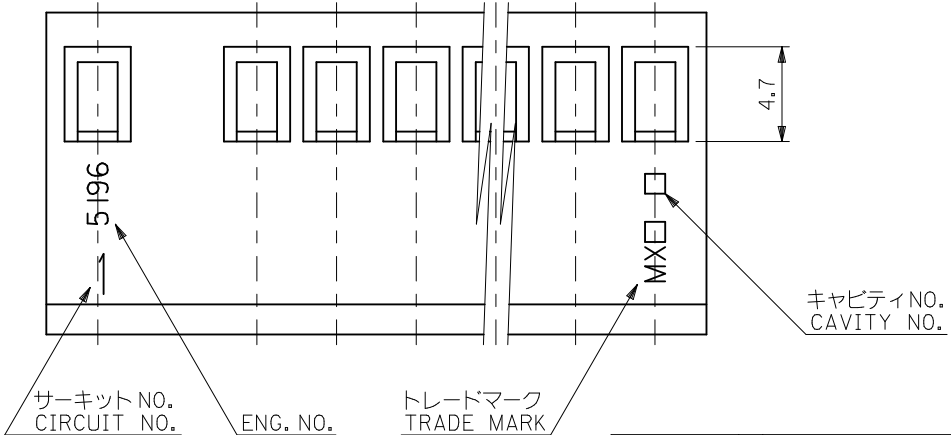


10 9 8 7 6 5 4 3 2 1



適合ターミナル
ACCEPT TERMINAL
5194*,5225*



注記
NOTES

1. 各部の反りは0.5最大。
WARPING : 0.5 MAX.
2. サーマットNO.はNO."I"のみ表示。
CIRCUIT NO.: I ONLY.

44.7	39.6	09-50-1104	5196-102	10
B	A	EDP. NO.	MATERIAL NO. 極致	NO. OF CXTS.
			MODEL NO.	5196-N2

REVISED EC NO: J2017-0534 2017/04/19 CHKD: APPR:MSASAO 2017/05/26	GENERAL TOLERANCES (UNLESS SPECIFIED)		DIMENSION STYLE MM ONLY		SCALE 4:1	DESIGN UNITS METRIC	THIRD ANGLE PROJECTION
	0.25 UNDER	±	DRAWN BY T. YASUI	DATE '96/4/9	TITLE SPOX 7.92/3.96 PITCH RECEPTACLE HOUSING		
	0.25 OVER 0.5 UNDER	±	CHECKED BY S.A	DATE '96/4/10			
	0.5 OVER 1.0 UNDER	±	APPROVED BY M. FUKUSHIMA	DATE '96/4/10			
0 OVER 10 UNDER	±0.2	MATERIAL NO.		DOCUMENT NO.	SHEET NO.		
10 OVER 30 UNDER	±0.25	SEE CHART		SD-5196-002		1 OF 1	
30 OVER	±0.3	DRAFT WHERE APPLICABLE MUST REMAIN WITHIN DIMENSIONS		THIS DRAWING CONTAINS INFORMATION THAT IS PROPRIETARY TO MOLEX ELECTRONIC TECHNOLOGIES, LLC AND SHOULD NOT BE USED WITHOUT WRITTEN PERMISSION			
材料 MATERIAL ナイロン66, UL94V-2 NYLON66, UL94V-2							

9 8 7 6 5 4 3 2 1