

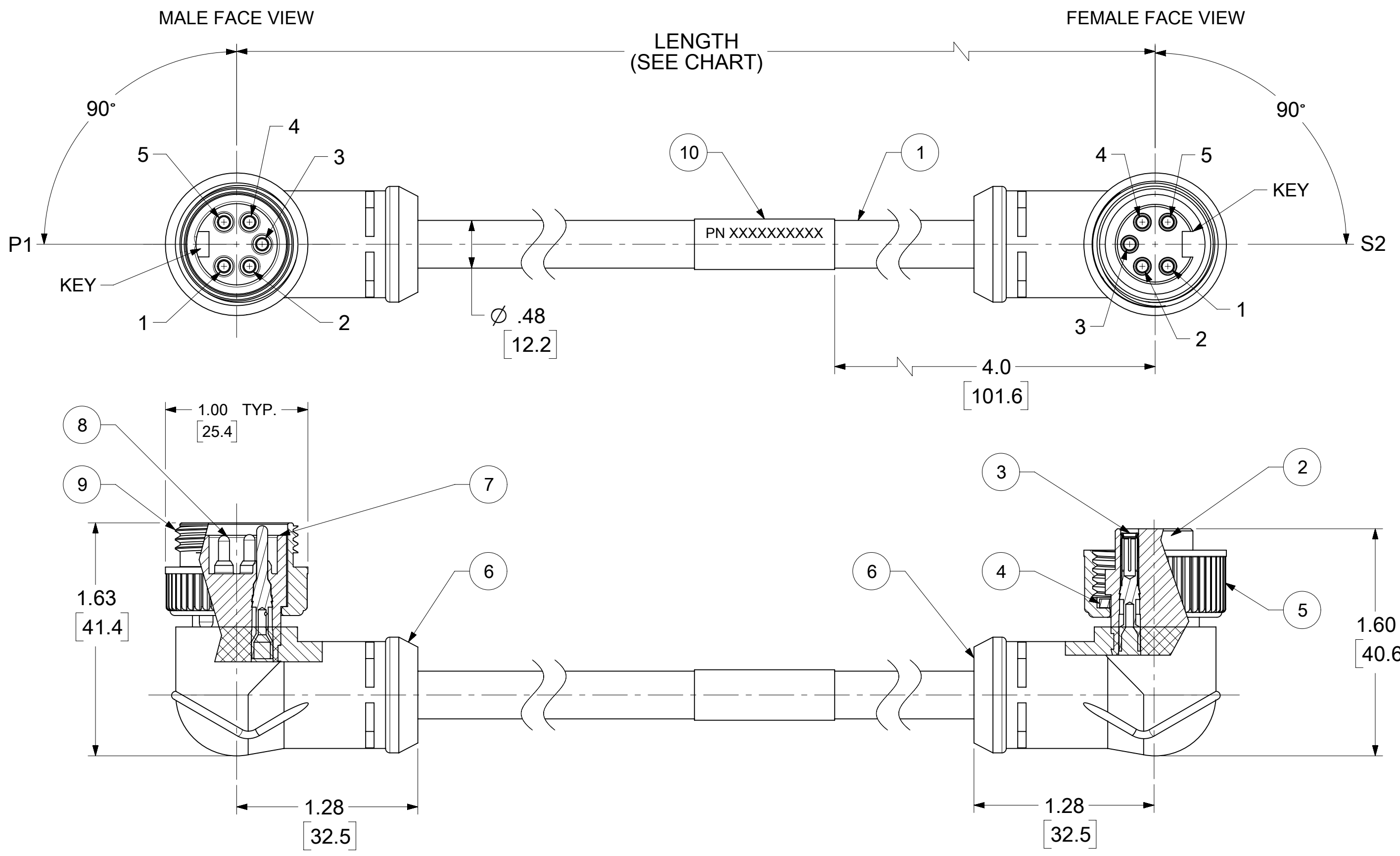
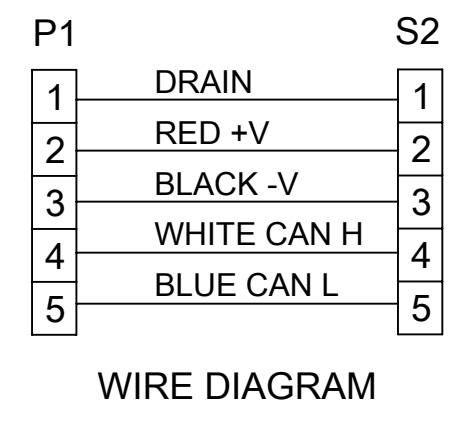
MATERIAL NO.	ENGINEERING NO.	FINISHED LENGTH
1300250196	DN99A-M006	1 FT 11.6 IN [0.6M]
1300250197	DN99A-M010	3 FT 3.3 IN [1.0M]
1300250220	DN99A-M400	131 FT 2.8 IN [40.0M]
1300250223	DN99A-M750	246 FT [75.0M]

PART NO. LEGEND

DN99A-M010
 FINISHED LENGTH
 M005= 0.5 METER
 M010= 1 METER
 M100= 10 METER

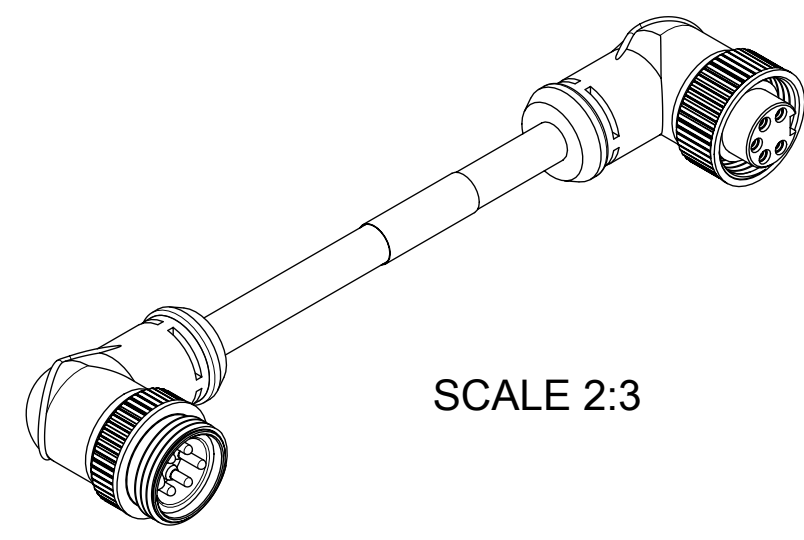
CABLE LENGTH TOLERANCES

<.3M [1FT]:	+19mm-0 [+1.75in-0]
.3 - .9M [1 - 3FT]:	+44.5mm-0 [+1.75in-0]
.9 - 1.8M [3 - 6FT]:	+55.6mm-0 [+2.19in-0]
1.8 - 3.7M [6 - 12FT]:	+88.9mm-0 [+3.50in-0]
3.7 - 7.3M [12 - 24FT]:	+165.1mm-0 [+6.50in-0]
7.3-14.6M [24 - 48FT]:	+317.5mm-0 [+12.50in-0]
14.6 - 30.5M [48-100FT]:	+622.3mm-0 [+24.50in-0]
OVER 30M [100FT]	+2% OF FINISHED LENGTH



- NOTES:**
- MATERIAL: AS NOTED
 - FINISH: AS NOTED
 - ELECTRICAL SPECIFICATIONS
 VOLTAGE RATING: 300V PER IEC60664
 300V PER UL2238
 CURRENT RATING: 4A
 - TEMP RANGE: -20°C TO +80°C
 - COUPLING THREAD: 7/8-16 UN
 - PROTECTION: IP67 (WHEN MATED)
 - UL RECOGNIZED FILE: E152210
 CSA CERTIFIED FILE: LR6837
 - ALL DIMENSIONS ARE FOR REFERENCE UNLESS TOLERANCED OR NOTED OTHERWISE

10	LABEL	VINYL	BLACK/YELLOW
9	COUPLING NUT, MALE	ZINC DIE CAST	BLACK E-COAT
8	CONTACT PIN	BRASS	GOLD PLATED
7	INSERT, MALE, 5 POLE	TPE	BLACK
6	OVERMOLDS	TPE	GRAY
5	COUPLING NUT, FEMALE	ZINC DIE CAST	BLACK E-COAT
4	FRICTION RING	NYLON	WHITE
3	CONTACT SOCKET	BRASS	GOLD PLATED
2	INSERT, FEMALE, 5 POLE	TPE	BLACK
1	CABLE, DEV-NET, TRUNK, 18/2, 15/2	PVC JACKET	GRAY
ITEM	DESCRIPTION	MATERIAL	FINISH



FUNCTIONAL SYMBOLS	THIS DRAWING CONTAINS INFORMATION THAT IS PROPRIETARY TO MOLEX ELECTRONIC TECHNOLOGIES, LLC AND SHOULD NOT BE USED WITHOUT WRITTEN PERMISSION		CURRENT REV DESC: INSERT COLOR WAS GRAY	
	DIMENSION UNITS	SCALE		
$\frac{F}{A} = 0$	INCH/MM	1.5:1		
$\frac{F}{C} = 0$	GENERAL TOLERANCES (UNLESS SPECIFIED)			
$\frac{F}{P} = 0$				
DIVISIONAL SYMBOLS	4 PLACES	±	±	
	3 PLACES	±	±	
	2 PLACES	±	±	
	1 PLACE	±	±	
	0 PLACES	±	±	
	ANGULAR TOL	±	°	
	DRAFT WHERE APPLICABLE MUST REMAIN WITHIN DIMENSIONS			
	THIRD ANGLE PROJECTION			
	DRAWING	SERIES		
	C-SIZE	130025		

EC NO: 702517	2022/04/07		
DRWN: RSTONE	2022/04/08		
CHK'D: MZIELINSKI	2022/04/12		
APPR: BWOODMAN			
INITIAL REVISION:			
DRWN: R. STONE	2009/05/11		
APPR: JFMURPHY	2009/05/15		

DOCUMENT NUMBER		DOC TYPE	DOC PART	REVISION
SD-130025-003		PSD	001	B1
MATERIAL NUMBER	CUSTOMER	SHEET NUMBER		
	GENERAL MARKET	1 OF 1		