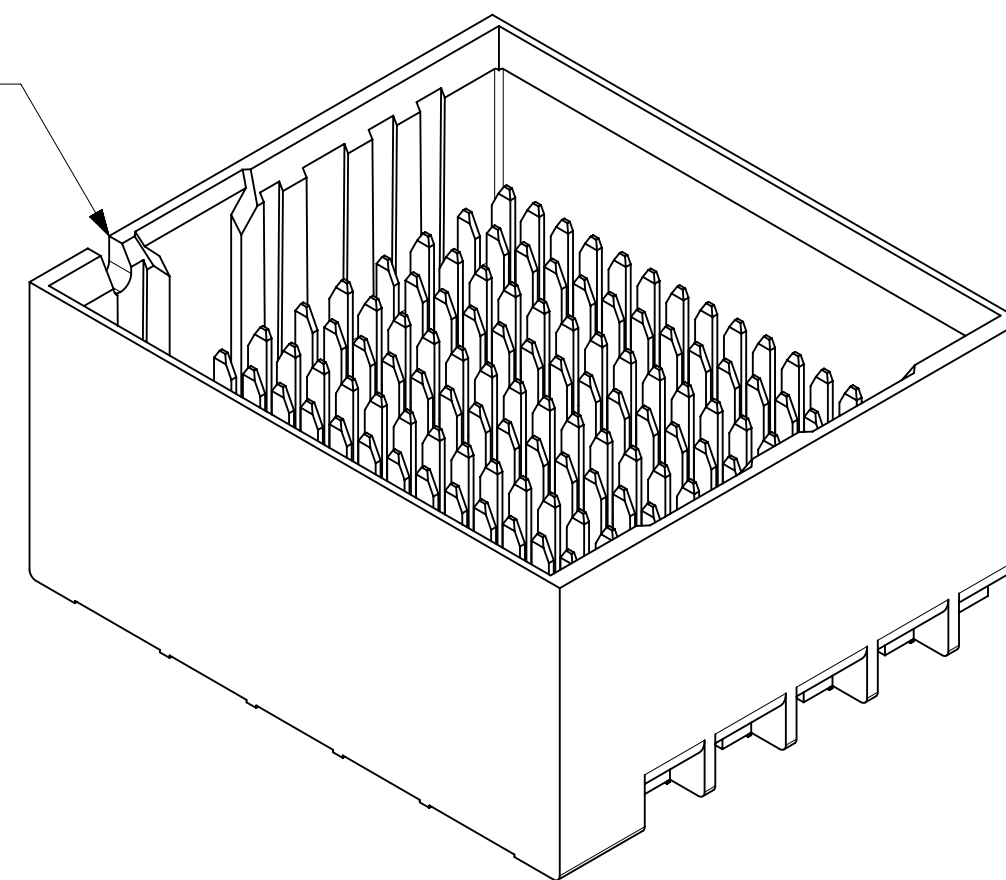


NOTES:

1. MATERIALS: HOUSING - LIQUID CRYSTAL POLYMER (LCP)
GLASS-FILLED, UL94V-0
TERMINALS - HIGH PERFORMANCE COPPER ALLOY
2. FINISH: 30μ INCH MIN GOLD IN CONTACT AREA.
SELECTIVE MATTE TIN PCB TAILS, NICKEL OVERALL.
3. REFER TO MOLEX PRODUCT SPECIFICATION PS-170540-999
FOR PERFORMANCE SPECIFICATIONS AND ADDITIONAL PCB INFORMATION.
4. THIS PART CONFORMS TO CLASS B REQUIREMENTS OF
MOLEX COSMETIC SPEC PS-45499-002.
5. PARTS PACKAGED PER PK-70873-7702.
6. SEE SHEETS 2 & 3 FOR PART NUMBERS AND BOARD RELATIONSHIPS.
7. REFER TO MOLEX PCB ROUTING GUIDE AS-76060-990 FOR ANTIPAD AND
ROUTING RECOMMENDATIONS.
8. MINIMUM CIRCUIT BOARD THICKNESS: 1.0mm.
9. "THESE DIMENSIONS REPRESENT THE AREA NEEDED TO ACCOMMODATE CONNECTOR
INSERTION AND REPAIR ON THE PC BOARD. THIS IS REFERRED TO AS THE
"CONNECTOR KEEP OUT ZONE" AND DOES NOT REPRESENT THE ACTUAL PERIMETER
OF THE CONNECTOR. WHEN LAYING OUT A PC BOARD FOR CONNECTORS STACKED
TOGETHER, USE THE 1.9mm PROGRESSION."

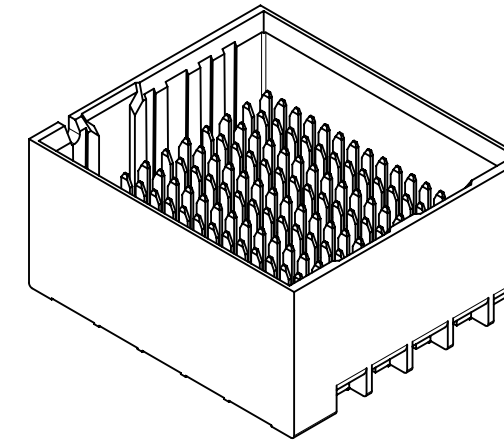
NOTCH DESIGNATES
ROW A



THIS DRAWING CONTAINS INFORMATION THAT IS PROPRIETARY TO MOLEX ELECTRONIC TECHNOLOGIES, LLC AND SHOULD NOT BE USED WITHOUT WRITTEN PERMISSION													
MIGRATED TO NX EC NO: 168852 DRWN: NVELUSAMY CHKD: CD REV / APPR: GGA	GENERAL TOLERANCES (UNLESS SPECIFIED)		DIMENSION UNITS		SCALE								
	ANGULAR TOL ± 2.0 °		MM		4:1								
	4 PLACES ±		DRWN BY		DATE		IMPACT 5-PAIR 85-OHM UNGUIDED BACKPLANE SALES ASSEMBLY DRAWING						
	3 PLACES ±		JBINGHAM		2010/05/18								
	2 PLACES ± 0.13		CHKD BY		DATE								
	1 PLACE ± 0.25		JLAURX		2010/05/18								
	0 PLACES ±		APPR BY		DATE								
	DRAFT WHERE APPLICABLE MUST REMAIN WITHIN DIMENSIONS		C3		JLAURX		2013/05/21		PRODUCT CUSTOMER DRAWING				
			DRAWING SIZE		THIRD ANGLE PROJECTION		SERIES		MATERIAL NUMBER		CUSTOMER		
			C				170475		SEE CHART		GENERAL MARKET		
						DOCUMENT NUMBER		DOC TYPE		DOC PART SHEET NUMBER			
						SD-170475-0001		PSD		001 1 OF 3			

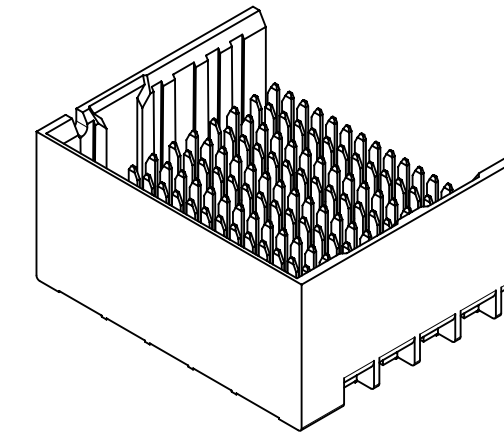
PART NUMBER TABLE

MATERIAL NUMBER	# OF COLUMNS	# OF DIFF PAIR	DIM. A	DIM. B	DUAL END WALL OPTION
170475-182*	8	40	17.9	13.30	
170475-112*	10	50	21.7	17.10	
170475-122*	12	60	25.5	20.90	
170475-162*	16	80	33.1	28.50	



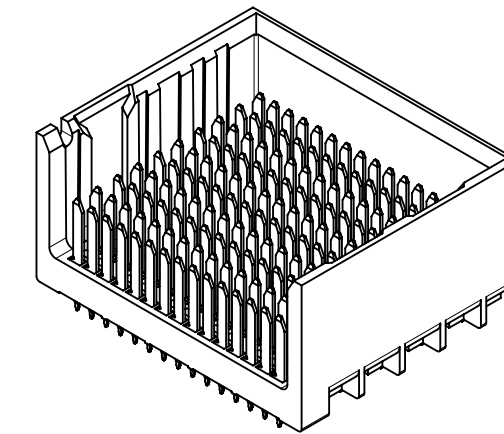
**DUAL END
WALL OPTION**

MATERIAL NUMBER	# OF COLUMNS	# OF DIFF PAIR	DIM. A	DIM. B	LEFT END WALL OPTION
170475-181*	8	40	16.5	13.30	
170475-111*	10	50	20.3	17.10	
170475-121*	12	60	24.1	20.90	
170475-161*	16	80	31.7	28.50	



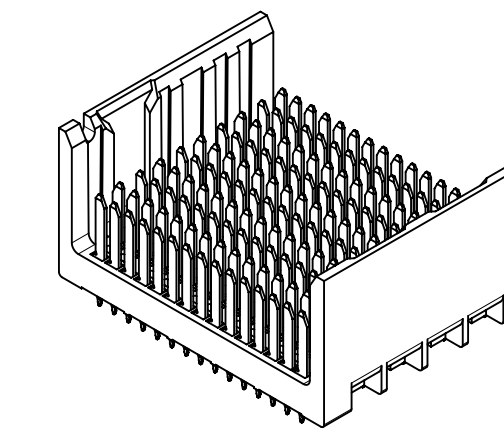
**LEFT END
WALL OPTION**

MATERIAL NUMBER	# OF COLUMNS	# OF DIFF PAIR	DIM. A	DIM. B	RIGHT END WALL OPTION
170475-183*	8	40	16.5	13.30	
170475-113*	10	50	20.3	17.10	
170475-123*	12	60	24.1	20.90	
170475-163*	16	80	31.7	28.50	



**RIGHT END
WALL OPTION**

MATERIAL NUMBER	# OF COLUMNS	# OF DIFF PAIR	DIM. A	DIM. B	OPEN WALL OPTION
170475-180*	8	40	15.1	13.30	
170475-110*	10	50	18.9	17.10	
170475-120*	12	60	22.7	20.90	
170475-160*	16	80	30.3	28.50	



**OPEN
WALL OPTION**

THIS DRAWING CONTAINS INFORMATION THAT IS PROPRIETARY TO MOLEX ELECTRONIC TECHNOLOGIES, LLC AND SHOULD NOT BE USED WITHOUT WRITTEN PERMISSION											
MIGRATED TO NX EC NO: 168852 DRWN: NVELUSANY CHKD: CD REV / APPR: GGA	2017/10/24	GENERAL TOLERANCES (UNLESS SPECIFIED)		DIMENSION UNITS	SCALE	molex IMPACT 5-PAIR 85-OHM UNGUIDED BACKPLANE SALES ASSEMBLY DRAWING					
	2017/11/30	2017/12/01	ANGULAR TOL ± 2.0 °	MM	2:1						
	4 PLACES ±	DRWN BY		DATE		PRODUCT CUSTOMER DRAWING					
	3 PLACES ±	JBINGHAM		2010/05/18							
	2 PLACES ± 0.13	CHKD BY		DATE		SERIES MATERIAL NUMBER CUSTOMER 170475 SEE CHART GENERAL MARKET					
1 PLACE ± 0.25	JLAURX		2010/05/18								
0 PLACES ±	APPR BY		DATE		DOCUMENT NUMBER DOC TYPE DOC PART SHEET NUMBER SD-170475-0001 PSD 001 2 OF 3						
DRAFT WHERE APPLICABLE MUST REMAIN WITHIN DIMENSIONS	JLAURX		2013/05/21								
C3	C	DRAWING SIZE		THIRD ANGLE PROJECTION							

PART NUMBER LOGIC

170475-****

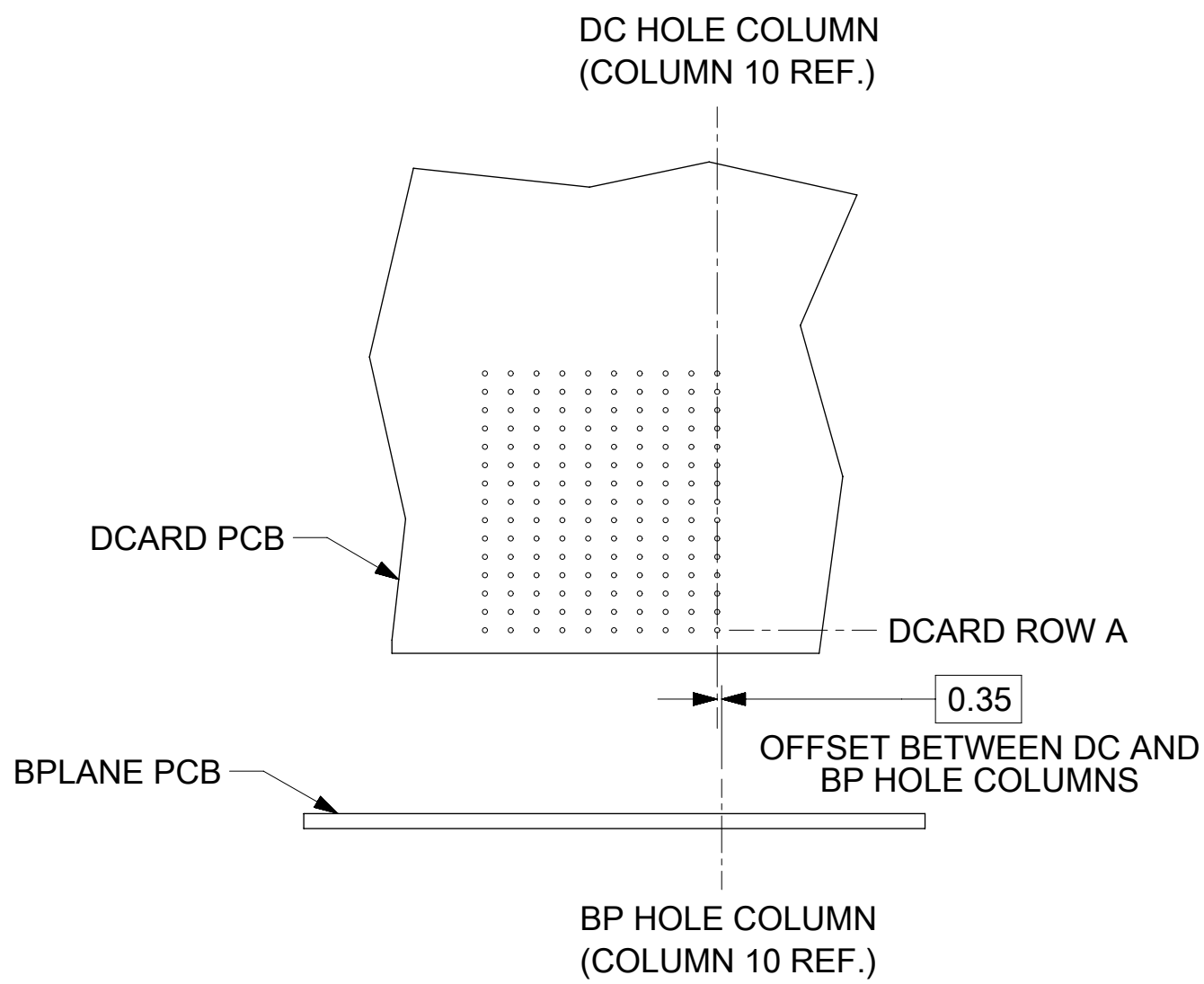
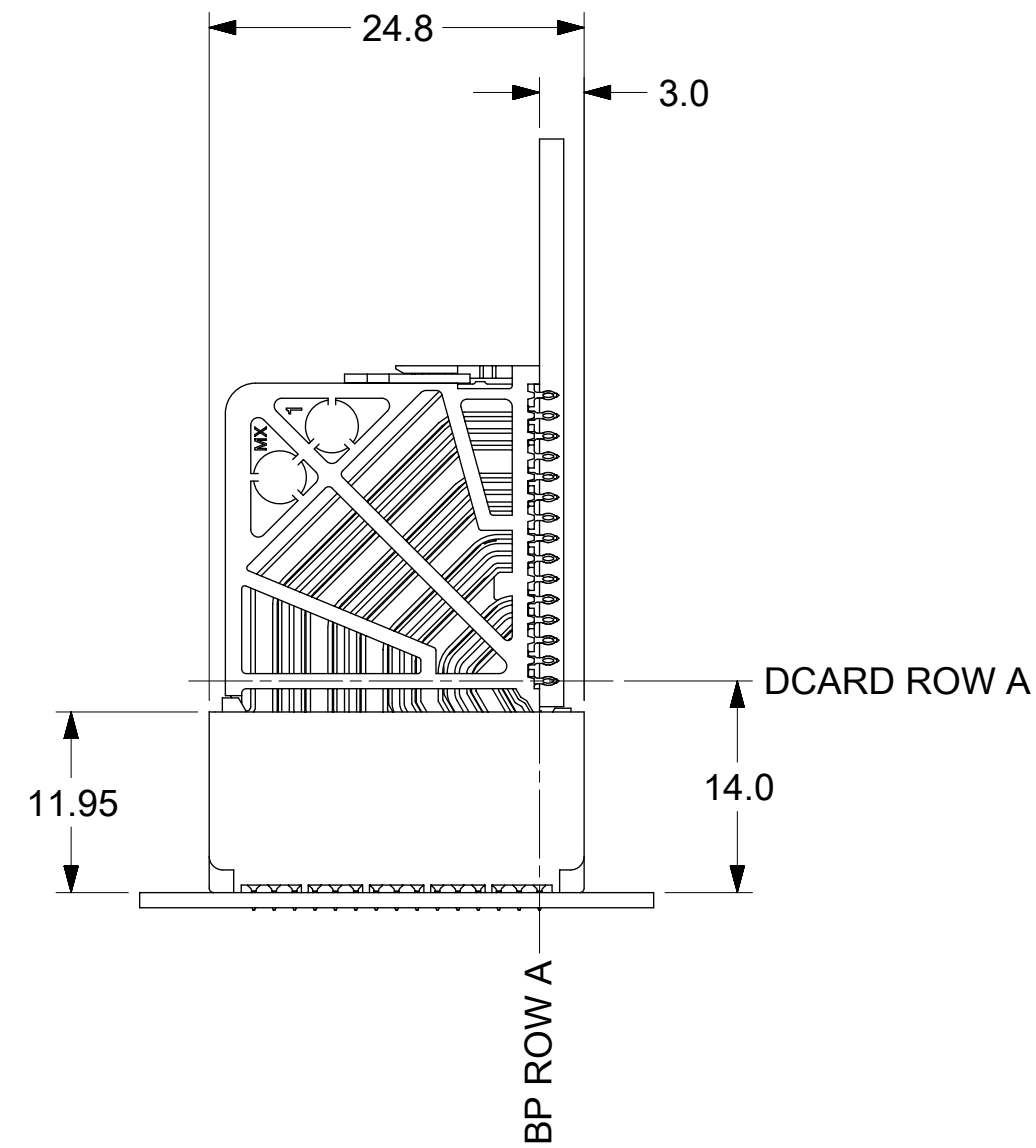
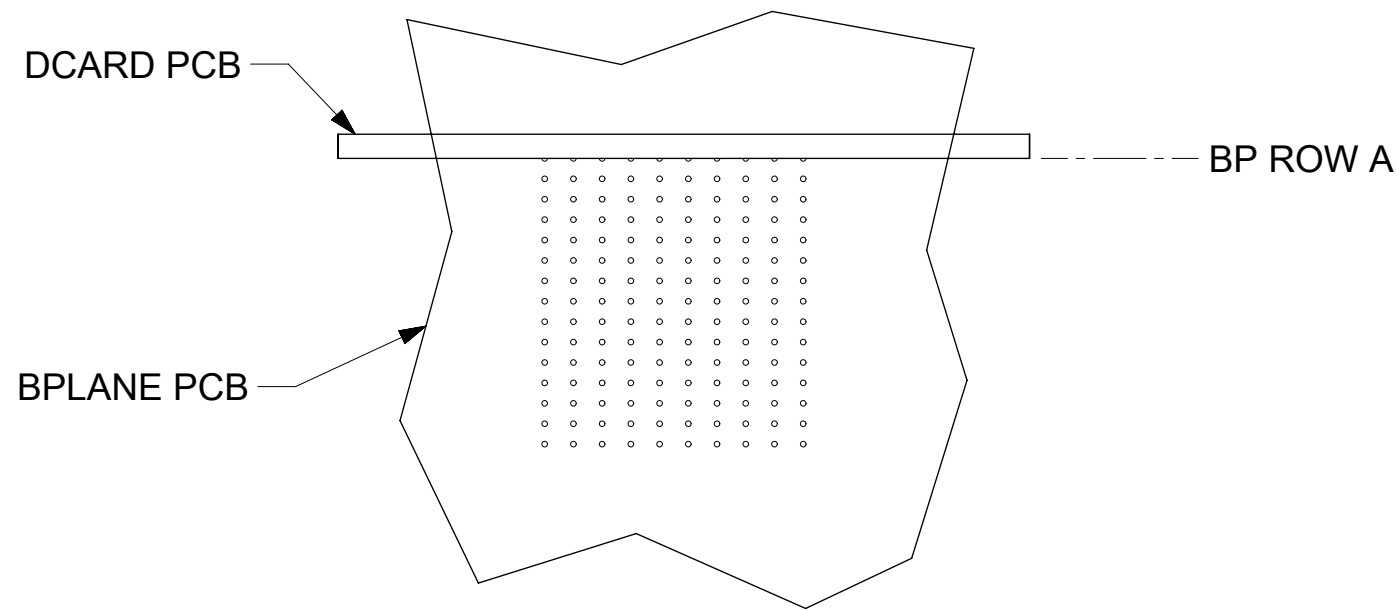
MODULE TYPE
1 = UNGUIDED, MATTE TIN

OF COLUMNS
1 = 10 COL
2 = 12 COL
6 = 16 COL
8 = 8 COL

P=PIN LENGTH
3 = 4.50 (SHORT COMPLIANT, 0.46±0.05 PTH)
4 = 4.90 (SHORT COMPLIANT, 0.46±0.05 PTH)
5 = 5.50 (SHORT COMPLIANT, 0.46±0.05 PTH)
6 = 4.50 (MICRO COMPLIANT, 0.39±0.05 PTH)
7 = 4.90 (MICRO COMPLIANT, 0.39±0.05 PTH)
8 = 5.50 (MICRO COMPLIANT, 0.39±0.05 PTH)

ENDWALL OPTIONS
0 = OPEN ENDS
1 = LEFT END WALL
2 = DUAL END WALL
3 = RIGHT END WALL

IMPACT 5 PAIR BOARD RELATIONSHIPS



THIS DRAWING CONTAINS INFORMATION THAT IS PROPRIETARY TO MOLEX ELECTRONIC TECHNOLOGIES, LLC AND SHOULD NOT BE USED WITHOUT WRITTEN PERMISSION																	
MIGRATED TO NX EC NO: 168852 DRWN: NVELUSAMY CHKD: CD REV / APPR: GGA	2017/10/24		2017/11/30		2017/12/01		GENERAL TOLERANCES (UNLESS SPECIFIED)		DIMENSION UNITS		SCALE						
	4 PLACES		±		ANGULAR TOL ± 2.0 °		MM		3:1								
	3 PLACES		±		DRAWN BY		DATE		JBINGHAM				2010/05/18				
	2 PLACES		± 0.13		1 PLACE		± 0.25		CHKD BY		DATE		IMPACT 5-PAIR 85-OHM UNGUIDED BACKPLANE SALES ASSEMBLY DRAWING				
	0 PLACES		±		DRAFT WHERE APPLICABLE MUST REMAIN WITHIN DIMENSIONS		C		THIRD ANGLE PROJECTION		JLAURX				2010/05/18		
	C3		REV		APPR		GGA		DRAWING SIZE		THIRD ANGLE PROJECTION		APPR BY		DATE		PRODUCT CUSTOMER DRAWING
JLAURX		2013/05/21		SERIES		MATERIAL NUMBER		CUSTOMER		170475		SEE CHART		GENERAL MARKET			
DOCUMENT NUMBER		SD-170475-0001		DOC TYPE		PSD		DOC PART		001		SHEET NUMBER		3 OF 3			