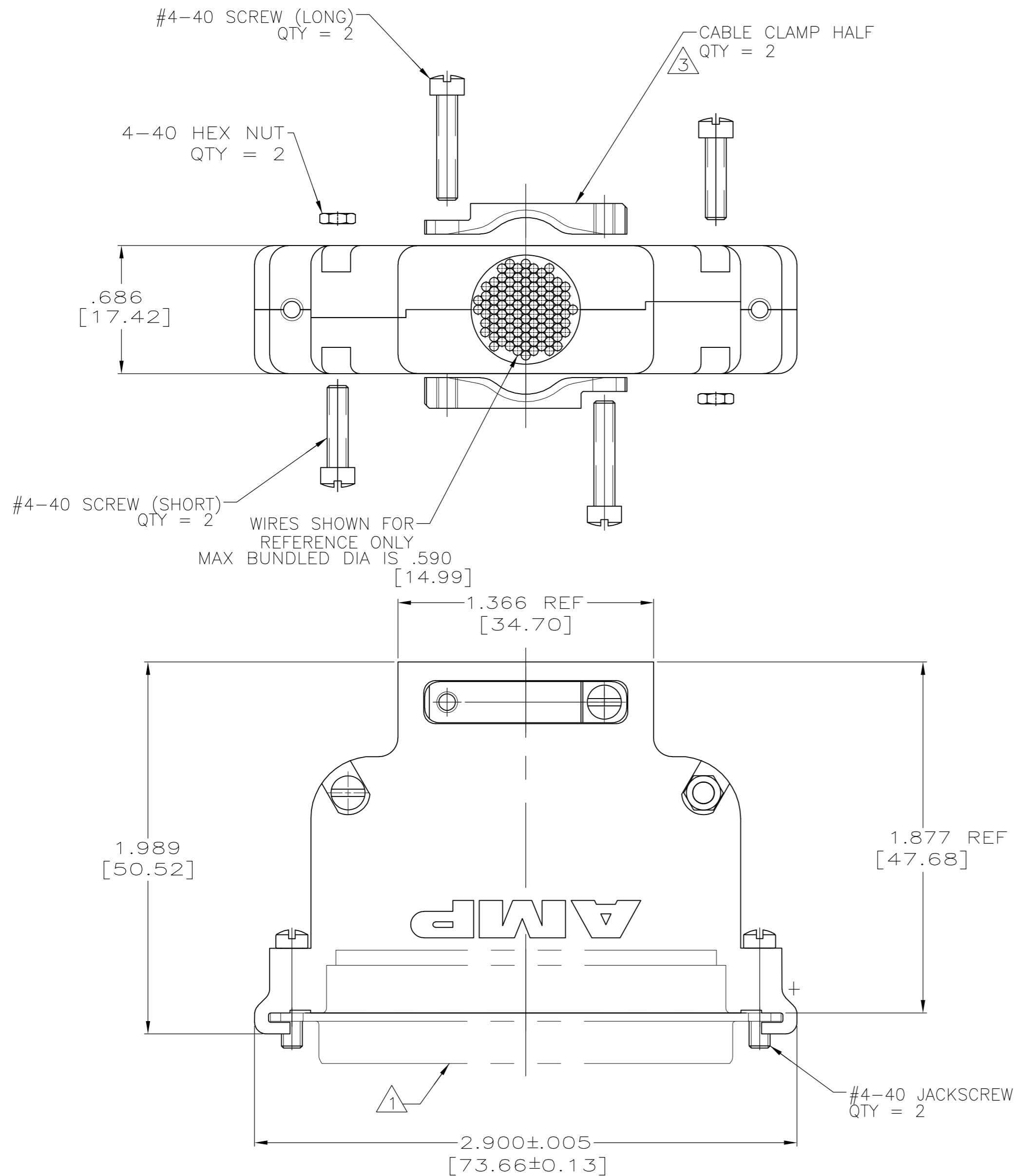


THIS DRAWING IS UNPUBLISHED. RELEASED FOR PUBLICATION
 © COPYRIGHT - By - ALL RIGHTS RESERVED.

LOC	DIST	REVISIONS					
DF	DO	P	LTR	DESCRIPTION	DATE	DWN	APVD
		P		REVISED PER ECO-11-005030	11MAR11	RK	HMR



- 1. AMPLIMITE CONNECTOR SHOWN FOR REFERENCE ONLY. NOT SUPPLIED WITH BACKSHELL.
- 2. BACKSHELL KIT SHIPPED UNASSEMBLED, SHOW ASSEMBLED FOR REFERENCE ONLY.
- 3. BACKSHELL & CABLE CLAMP MATERIAL:
ALUMINUM PER ASTM-B-221
BACKSHELL & CABLE CLAMP FINISH:
ELECTROLESS NICKEL PER MIL-C-26074, CLASS I
- 4. MOUNTING HARDWARE MATERIAL & FINISH:
CARBON STEEL PER ASTM-A-108
ZINC PLATED PER ASTM-B-633, CLEAR CHROMATE

1218407-1
PART NO.

THIS DRAWING IS A CONTROLLED DOCUMENT.		DWN C.C.THOMAS 2-9-99																				
DIMENSIONS: INCHES[MM]		CHK J.NORTON 3-10-99																				
TOLERANCES UNLESS OTHERWISE SPECIFIED:		APVD J.NORTON 3-10-99	NAME AMPLIMITE KIT, SIZE 6, TWO PIECE ALUMINUM BACKSHELL																			
<table border="1"> <tr><td>0 PLC</td><td>±</td><td>-</td></tr> <tr><td>1 PLC</td><td>±</td><td>-</td></tr> <tr><td>2 PLC</td><td>±</td><td>-</td></tr> <tr><td>3 PLC</td><td>±</td><td>.010 [0.25]</td></tr> <tr><td>4 PLC</td><td>±</td><td>-</td></tr> <tr><td>ANGLES</td><td></td><td>± -</td></tr> </table>		0 PLC	±	-	1 PLC	±	-	2 PLC	±	-	3 PLC	±	.010 [0.25]	4 PLC	±	-	ANGLES		± -	PRODUCT SPEC -	SIZE A2	CAGE CODE 00779
0 PLC	±	-																				
1 PLC	±	-																				
2 PLC	±	-																				
3 PLC	±	.010 [0.25]																				
4 PLC	±	-																				
ANGLES		± -																				
MATERIAL SEE CALLOUTS		FINISH SEE CALLOUTS	WEIGHT -	DRAWING NO 1218407																		
		CUSTOMER DRAWING	SCALE 2:1	SHEET 1 of 1																		
			RESTRICTED TO -	REV P																		