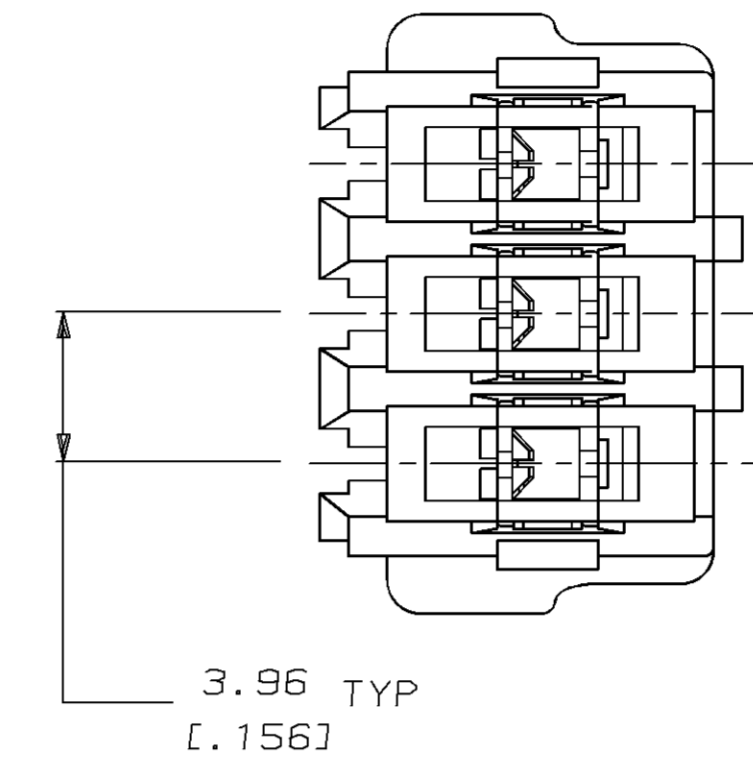
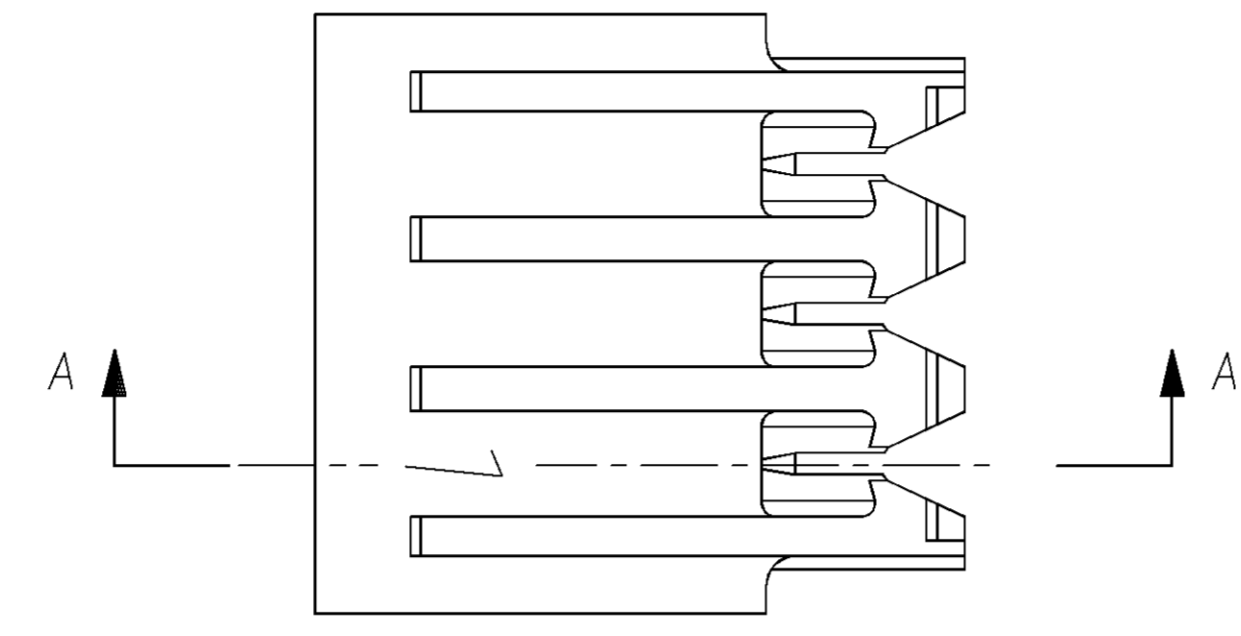
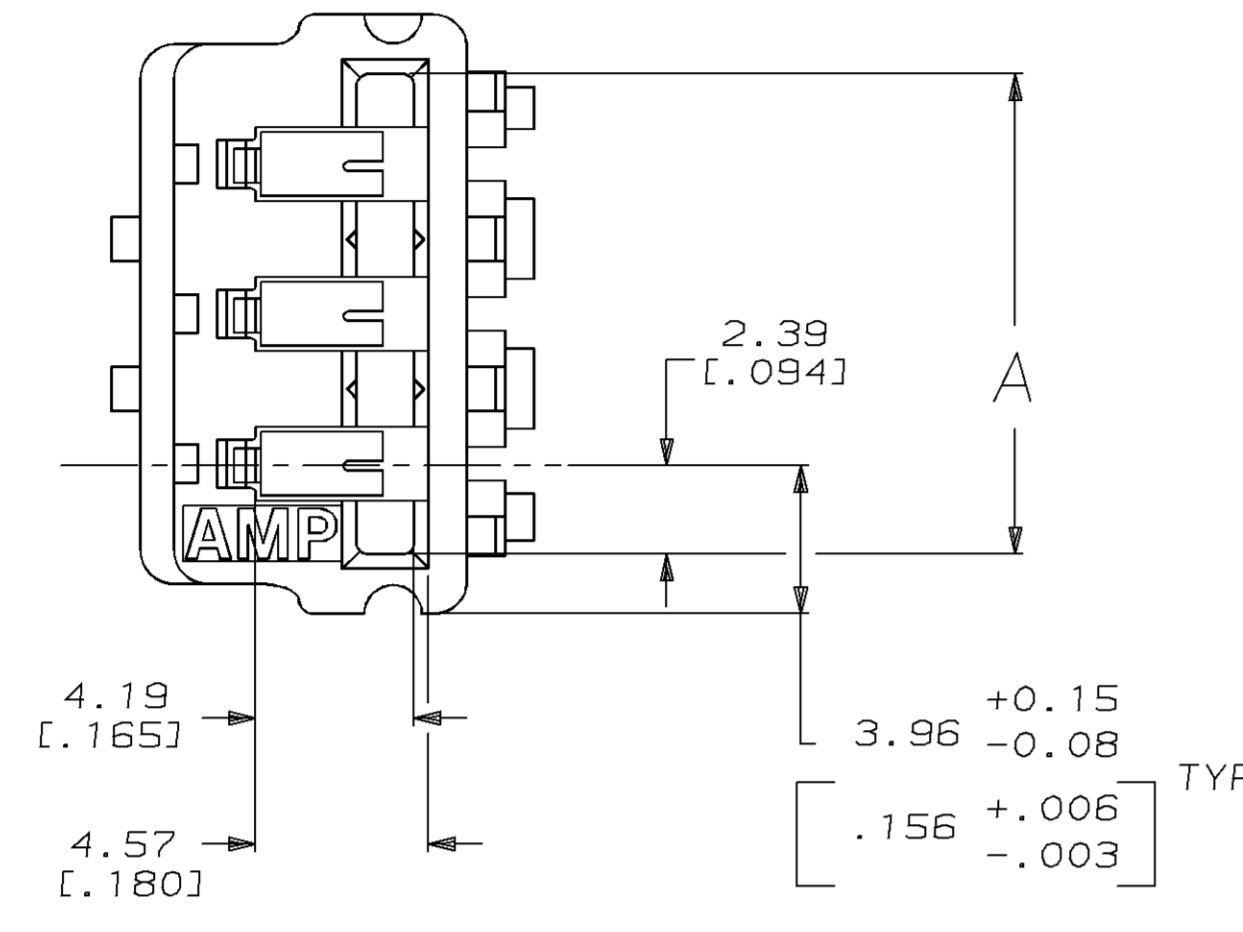
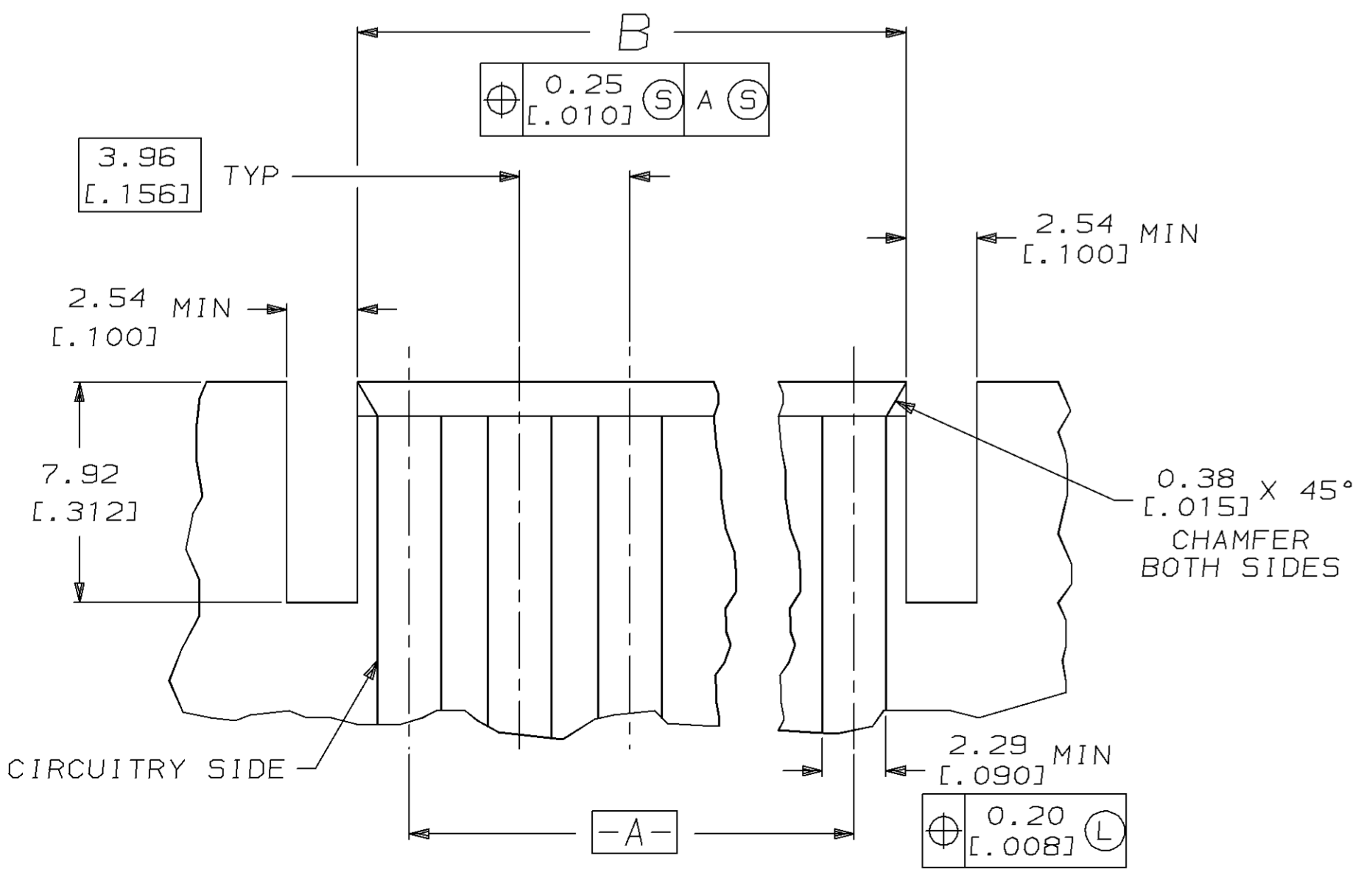
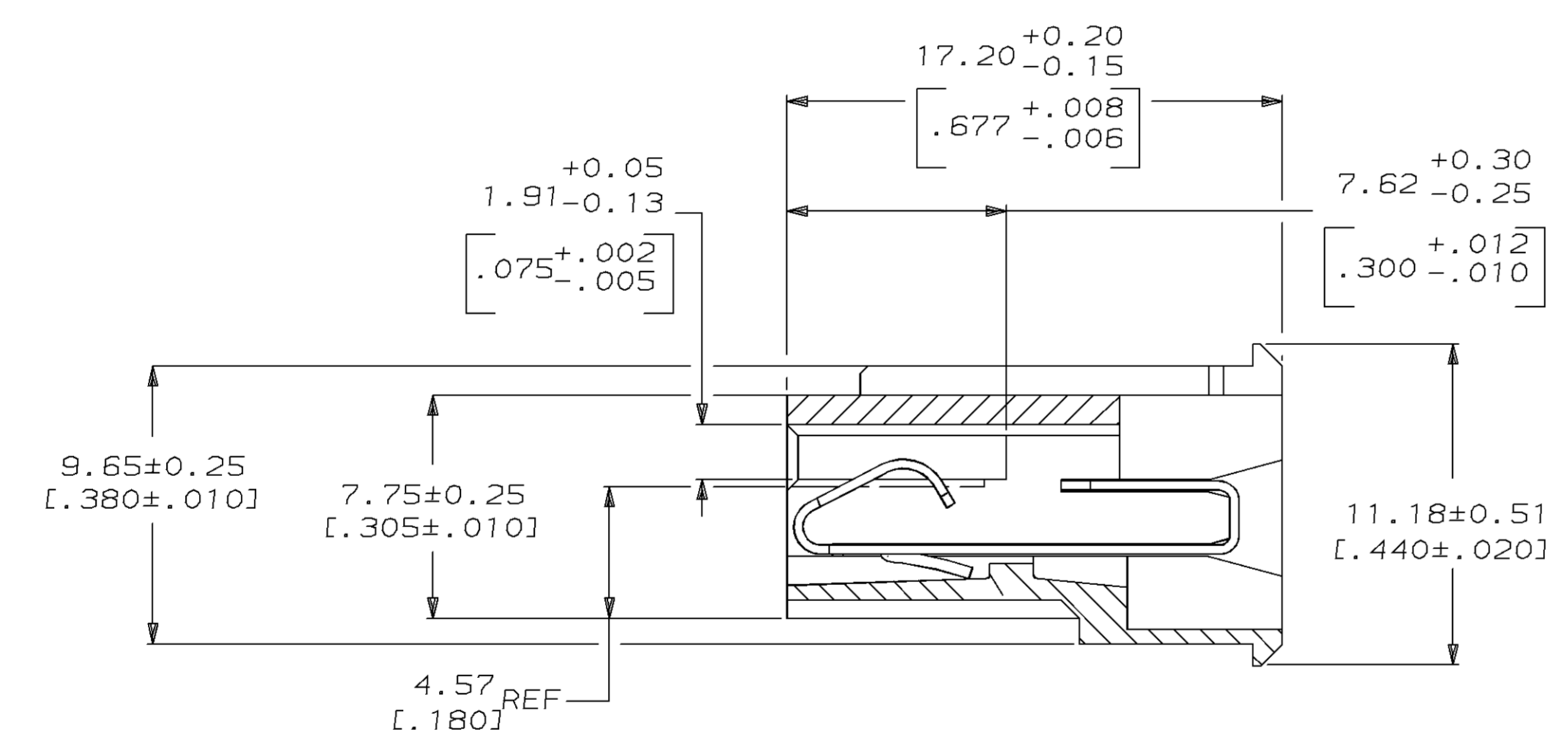


REVISIONS							
LOC	DIST	P	ZONE	LTR	DESCRIPTION	DATE	APPD
CM	54	P			0BS 1-6 PER EC 0730-0141-96	6-27-96	BL RS



- MATERIAL: CONNECTOR- POLYESTER UL94V-0 (ORANGE). CONTACTS- 0.30 [.012] THK COPPER ALLOY (BRIGHT TIN 0.00203 [.000080] MIN THK).
- CONTACT ACCEPT #18 AWG WIRE WITH 2.41 [.095] MAXIMUM INSULATION DIAMETER.
- CONNECTOR MATES WITH 1.57±0.20 [.062±.008] THICK P.C. BOARD.
- HOUSING FEATURES: FEED-THRU, STANDARD MOUTH WITHOUT MOUNTING EARS.
- DIMENSIONS IN BRACKETS ARE IN INCHES.



B	A	NO. OF CIRCUITS	PART NO
95.50 [3.760]	95.91 [3.776]	24	2-641283-4
91.54 [3.604]	91.95 [3.620]	23	2-641283-3
87.58 [3.448]	87.99 [3.464]	22	2-641283-2
83.62 [3.292]	84.02 [3.308]	21	2-641283-1
79.65 [3.136]	80.06 [3.152]	20	2-641283-0
71.73 [2.824]	72.14 [2.840]	18	1-641283-8
59.84 [2.356]	60.25 [2.372]	15	1-641283-5
47.96 [1.888]	48.36 [1.904]	12	1-641283-2
36.07 [1.420]	36.47 [1.436]	9	641283-9
24.18 [.952]	24.59 [.968]	6	641283-6
12.29 [.484]	12.70 [.500]	3	641283-3

DO NOT SCALE PRINT. UNLESS SPECIFIED DIMENSIONS IN mm [INCHES] TOLERANCES ON:	DR 10-29-91 K. SALMON	AMP AMP Incorporated Harrisburg, PA 17105-3608 NAME MTA-156 CARD EDGE CONNECTOR ASSEMBLY, 18 AWG
2 PLC DEC ± -	CHK 10-29-91 R. SWING	
3 PLC DEC ± 0.13 [.005] ANGLES ± -	APPD 10-29-91 G. MILLER	
MATERIAL SEE NOTE 1	APPD 10-29-91 G. MILLER PRODUCT SPEC	FINISH SEE NOTE 1
APPLICATION SPEC	WEIGHT	SIZE D 00779
		CAGE CODE 00779
		DRAWING NO 641283
		SCALE 5:1
		SHEET 1 OF 1

