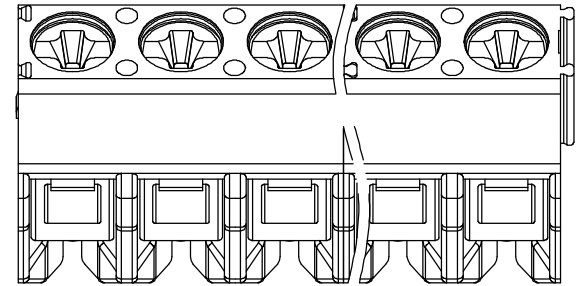
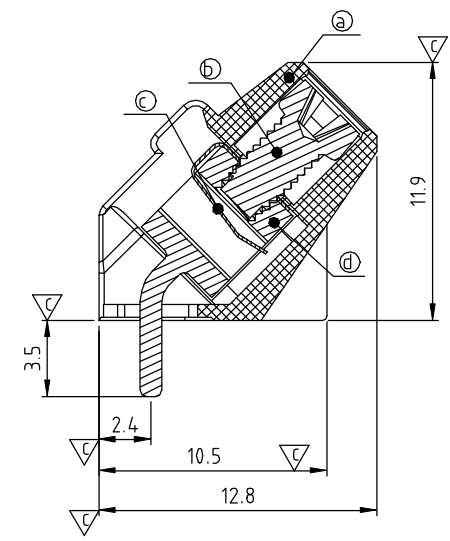
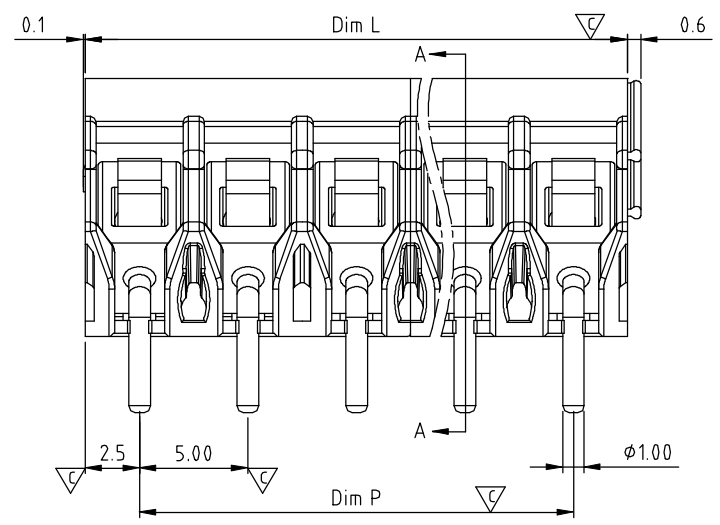


SIGN	DATE	DESCRIPTION	APPROVER
△	07/09'13	update the drawing	Guoxue
THIS IS CAD DRAWING, DO NOT REVISE MANUALLY!!!			



Materials  
 Item a Terminal housing: PA66 (UL94V-0)  
 Item b Terminal screw: Steel Zinc plating "+/-" slot type  
 Item c Wire guard :Stainless steel  
 Item d Terminal body :Brass(CuZn) ,Tin Plated

- Electrical cULus
- Voltage rating: 300VAC
  - Current rating: 15A
  - Wire range:
  - Solid wire(AWG): 12-26
  - Stranded wire(AWG): 12-26
  - △ ● Torque(Lb-In): 2.4
  - Screw: M2.6
  - Wire strip length: 5-6mm
  - Withstanding Voltage: 1.6KV
  - Operating temperature: -40°C to +115°C
  - △ ● Soldering temperature: 260°C±5°C/5 Sec
  - △ ● Safety Approval: US
  - Critical dimension: ▽



△ **KZ xx 7 0 x 0 xxxx G**

End stackable  
 02 2 POLES  
 03 3 POLES  
 ... ..  
 24 24 POLES

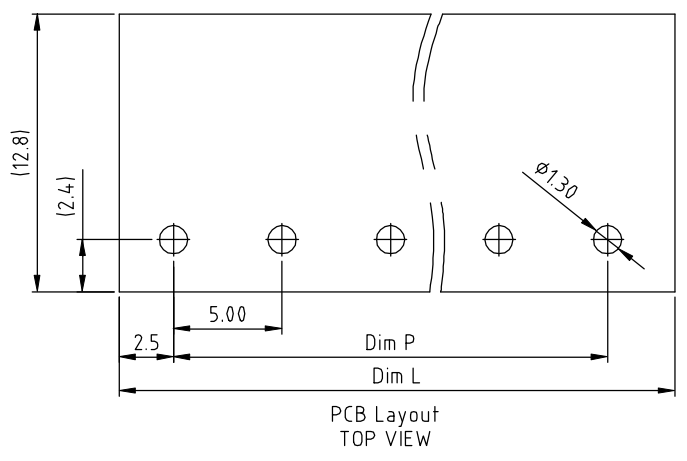
COLOR

0 Black  
 2 Red (RAL3001/D)  
 3 Orange(RAL2011/P)  
 4 Yellow(RAL1018/A)  
 5 Green(RAL6018/T)  
 6 Blue (RAL5015/A)  
 8 Grey(RAL7035/D)  
 9 White  
 C Green(RAL 6018/U)

RoHS compliant  
 (lead<4%)  
 In copper Alloy

0000: "@ " Logo (Standard)  
 000A: "ANYTEK" Mark

Any special item by customer request. please contact sales department.



N = Number of poles  
 Dim L = N x 5.0  
 Dim P = (N - 1) x 5.0

Poles	Dim.	Dim L	Dim P
2-6p		±0.15	±0.15
7-12p		±0.25	±0.25
13-18p		±0.35	±0.35
19-24p		±0.40	±0.40

<b>ANYTEK</b>		<b>CUSTOMER COPY</b>	
ALL RIGHTS RESERVED. REPRODUCTION OR ISSUE TO THIRD PARTIES IN ANY FORM WHATSOEVER IS NOT PERMITTED WITHOUT WRITTEN AUTHORITY FROM THE PROPRIETOR. PROPERTY OF ANYTEK TECHNOLOGY CO., LTD			
TITLE	KZ 5.0 Series ( "+/-" Screw & Square hole )		
PART NO.	KZxx70x0xxxxG	DWG NO.	8KZ0101
APPROVED	CHECKED	DESIGNED	DRAWN
		Guoxue 2013.07.09	Guoxue 2013.07.09
SHEET: 01/01		Tolerance	
UNIT: mm		X. ±0.5	
SCALE: NONE		X.X ±0.3	
REV.: C		X.XX ±0.1	
		X° ±1°	