



LED Post Top Garden Light

AV Series



AV Series

Beyond LED Technology's AV Series Circular Post Top Garden Light is another great option when it comes to replacing multiple lights. Due to its circular design, this light gives you 120° of lighting rather than lights that can only be directed in one direction. This makes this light perfect for parking lots and sidewalks etc.

- Up to 120 lumens per watt
- 3000k 4000k 5000k CCT Adjustable
- Replaces exiting HID fixtures up to 400 watts
- Dusk-to-dawn photocell option
- Die-Cast aluminum housing
- Heat resistant polycarbonate optical lens
- 120 degree beam angle
- IP65 Waterproof Rated
- Bronze Housing
- Universal 100-277Vac

LED Post Top Garden Light

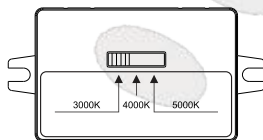
AV Series

AV Series - Post Top Circular Garden Light

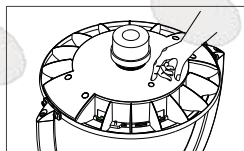
SKU #	Model #	Watts	Lumens	CCT	IP	Input Voltage	Certifications
151235	BLT-GS02B-75WACGA1-abcde	75W	9288Lm	Adjustable 3000K/4000K/5000K	IP65	100-277Vac	UL & DLC
151237	Optional Photocell						

Adjust the color temperature through the switch:

Move the switch left and right to get the desired color temperature.



Press back to open and get the desired color temperature

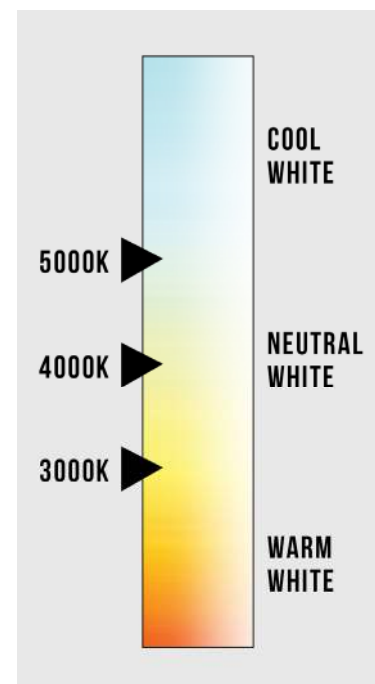


Specifications

OPTICAL	Lumen Efficacy	115-135 LM/W
	Color Temperature	Adjustable 3000K/4000K/5000K
	CRI	>80
	Viewing Angle	120°
ELECTRICAL	Input Voltage	100-277VAC 50/60Hz
	PF	≥0.9
	THD	≤20%
	Driver Model	Beyond Brand Driver
	Dimming	1-10V
MATERIALS	LED Type	SMD2835 (0.5W)
	LED QTY	154PCS 3000K + 154 PCS 5000K
	Housing	Aluminum Alloy
	Housing Color	Bronze
	Cover	Clear Glass
	Waterproof Rating	WET (IP65)
OTHERS	Operating Temperature	-4°F to 122°F
	Operating Humidity	20%-90% RH
	Storage Temperature	-22°F to 176°F
	Storage Humidity	10%-95% RH
	Warranty Time	5 Years



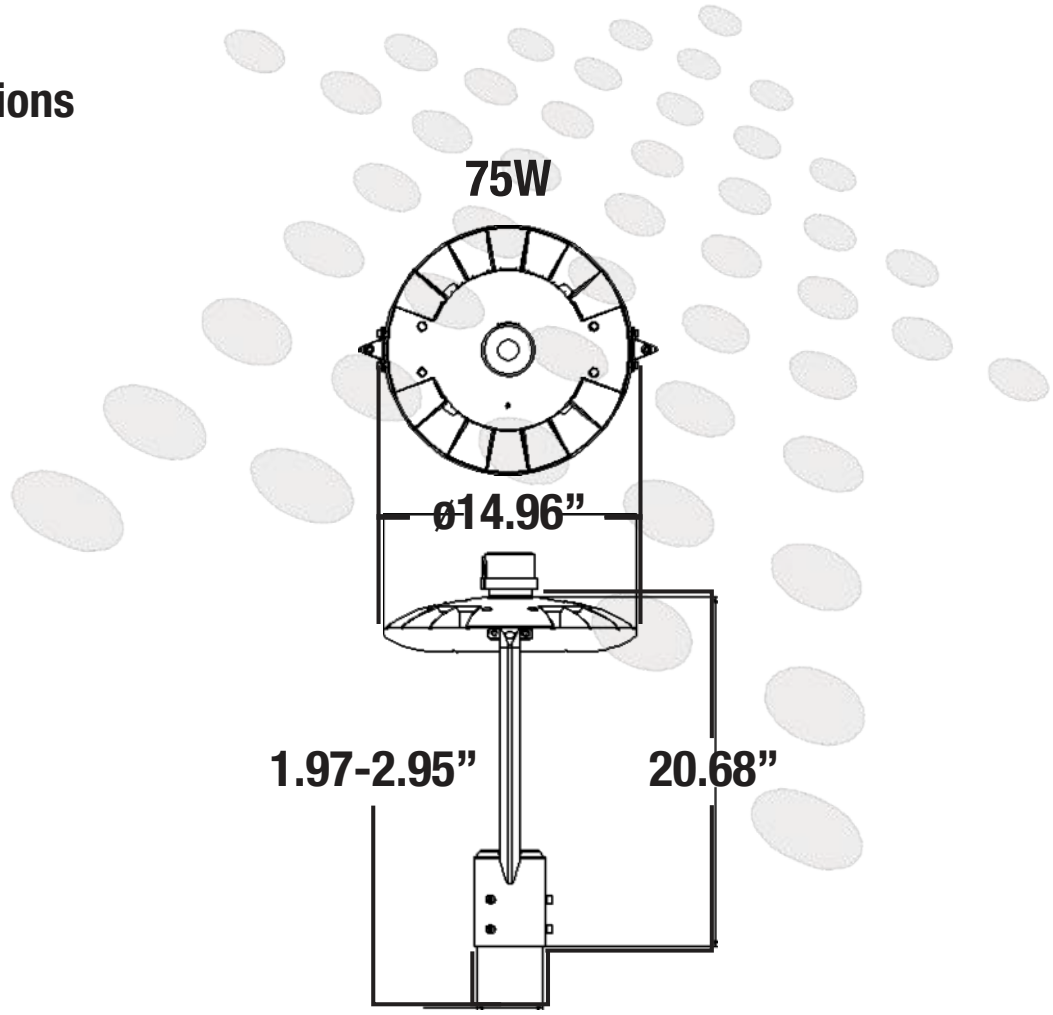
CORRELATED COLOR TEMPERATURE (CCT)



LED Post Top Garden Light

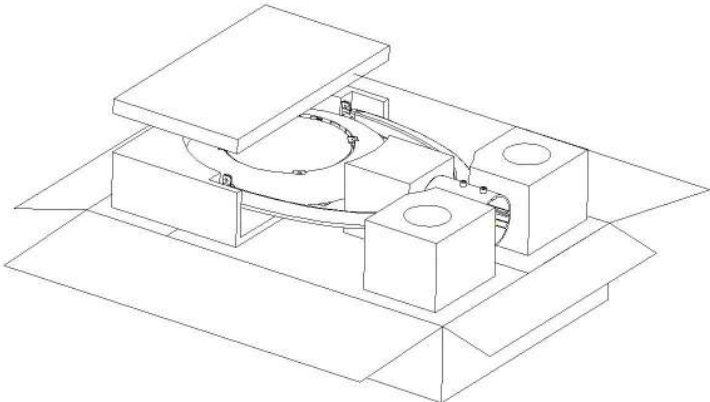
AV Series

Dimensions



Packing

	Size	Qty / Carton	Net Weight / Carton	Gross Weight / Carton
Outer box	28.75" X 20.28" X 7.09"	1 PCS	10.37LB	12.79LB



LED Post Top Garden Light

AV Series

Distribution Diagram



Luminaire Property

Luminaire Manufacturer:
Voltage: 120.0 V
Power: 70.19 W

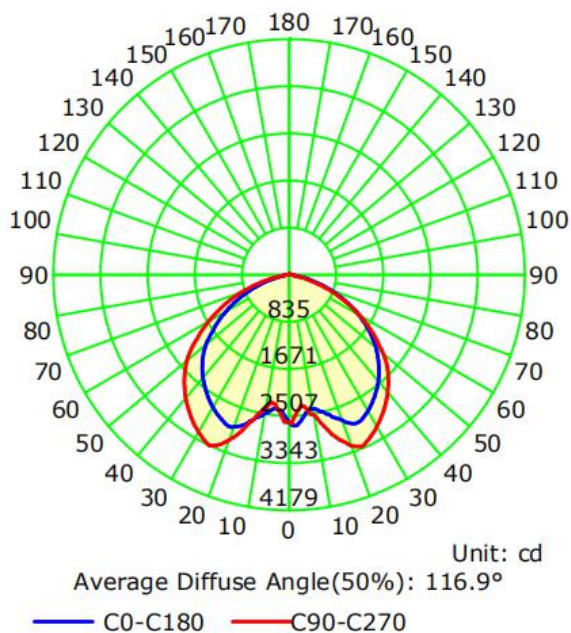
Current: 0.5873 A
Power Factor: 0.996

Photometric Results

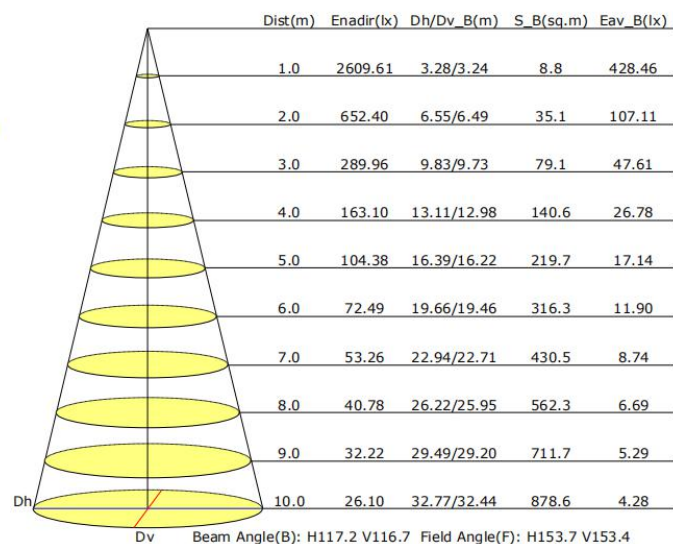
IES Classification: Type II
Total Rated Lamp Lumens: 8032.5 lm
Efficiency: 100%
Upward Ratio: 1%
Central Intensity: 2609.61 cd
Pos of Max. Intensity: H270 V25

Longitudinal Classification: Very Short
Measurement Flux: 8032.5 lm
Downward Ratio: 99%
Luminaire Efficacy Rating (LER): 114.44
Max. Intensity: 3343.23 cd

Luminous Intensity Distribution Curve



Illuminance at a Distance



LED Post Top Garden Light

AV Series

Installation

Cautions:

1. Can not use the electric generator to test the LED lamp.
2. Please abide by related country, regional and local law and regulations when install this fixture.
3. Please turn off the power before installation or maintenance.
4. Proper earth grounding is required to ensure safety.
5. Make the lighting facing downward vertically after installation

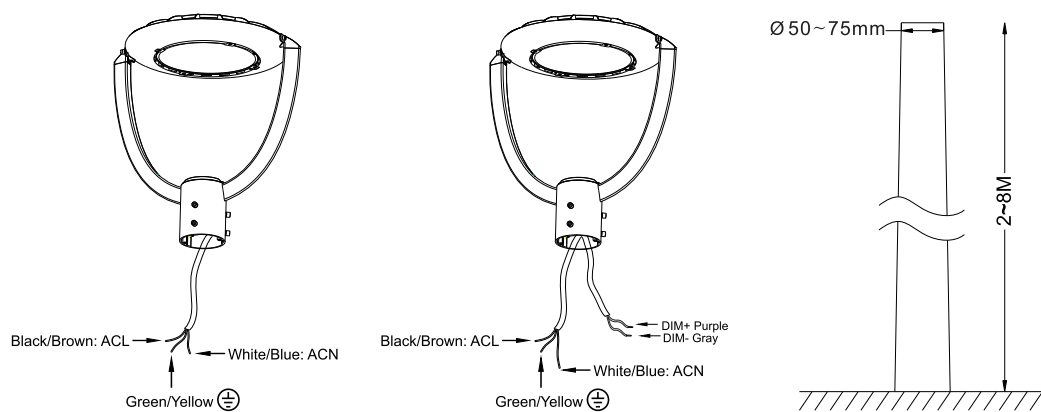
Notice:

1. To avoid possibility of electrical shock or fire, the installation personnel must have professional electric knowledge.
2. Please wear gloves to avoid injury before installation.
3. If any smoke or spark of the wire happened, please turn off the power immediately and notify relevant personnel.

Attention:

1. Please check if there is any damage during shipping. If so, please contact manufacturer timely.
2. Please read the installation instruction carefully to check whether all the accessories are complete. After confirmation, Install the fixture according to installation steps.

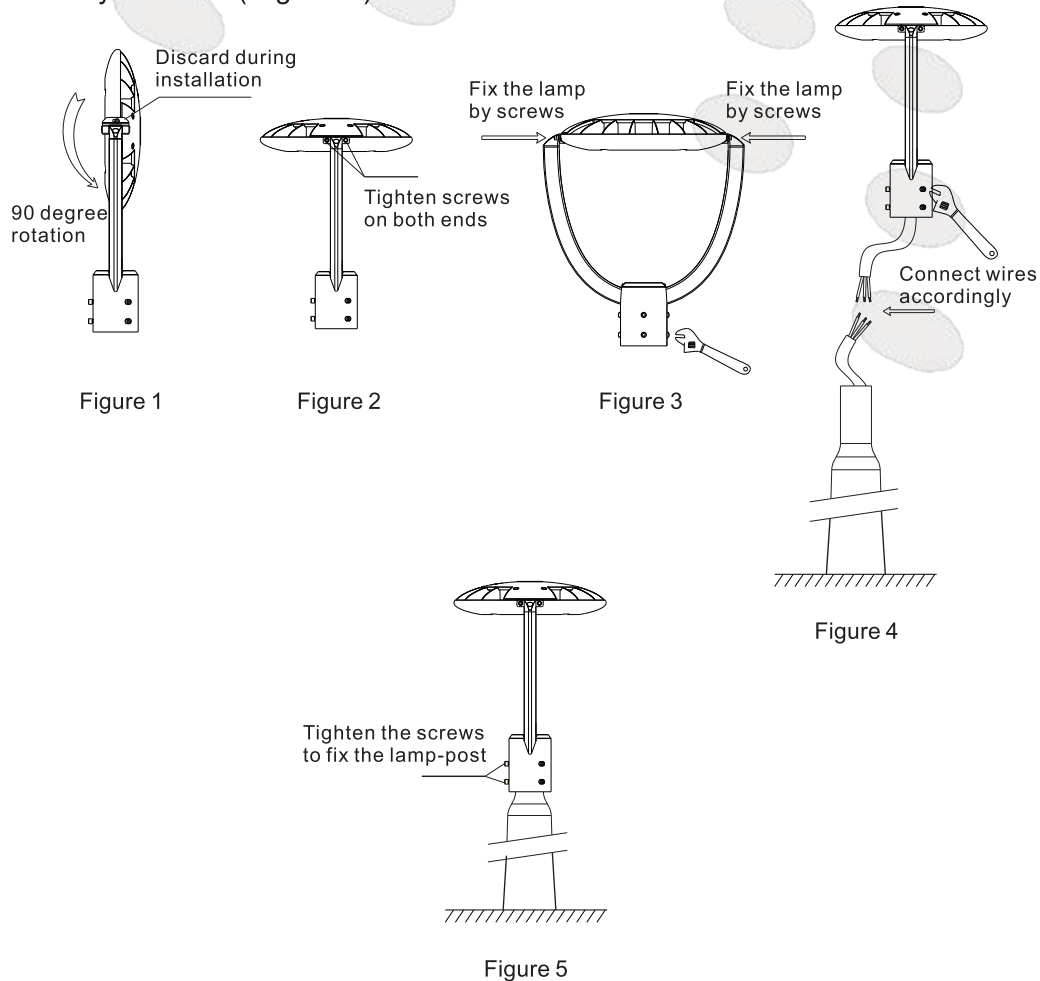
Wiring Diagram & Mounting Condition Diagram:



LED Post Top Garden Light AV Series

Installation

1. Rotate the lamp body 90 degree to make sure light facing downward. (Figure 1)
2. Tighten screws on both sides of the bracket to fix the lamp body. Installation is finished when the lamp body is fixed without shaking. (Figure 2)
3. Loosen the screws by wrench. (Figure 3)
4. Connect the lamp to utility power according to the wiring standard, and make sure there is a good joint protective measures. (Figure 4)
5. Install the lamp to the pole, adjust the viewing angle, then tighten the screw by wrench. (Figure 5)



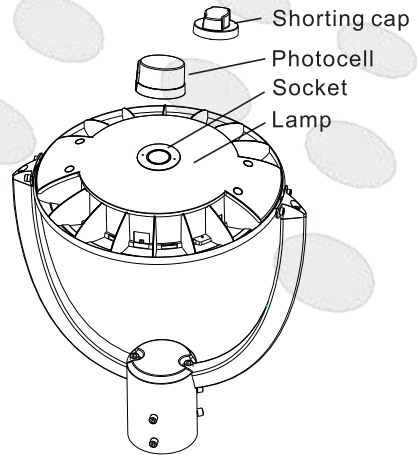
LED Post Top Garden Light

AV Series

Installation

Instructions for Photocell

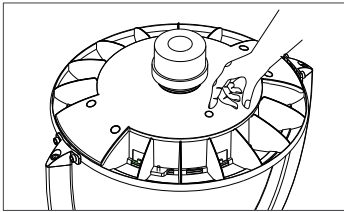
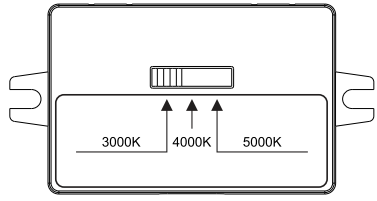
When the photocell function is required, photocell should be installed on the back of lamp; When it's not required, shorting cap should be installed on the back of lamp.



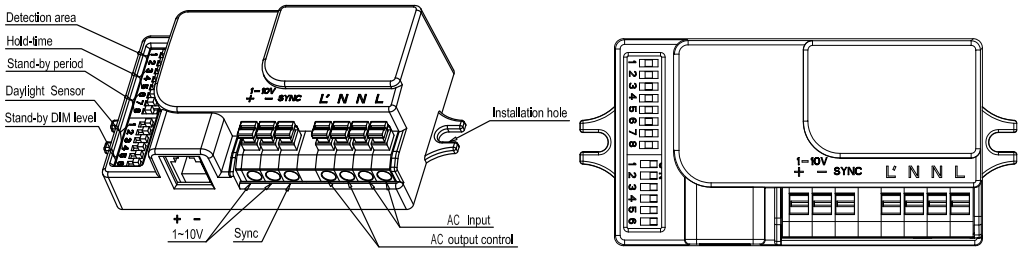
Adjust the color temperature through the switch:

Move the switch left and right to get the desired color temperature.

Press back to open and get the desired color temperature



Structure of motion sensor



Setting:

By selecting the combination on the DIP switch, sensor data can be precisely set for each specific application.

LED Post Top Garden Light AV Series

Installation

ON ↑ 		1	2	
	I	ON	ON	100%
	II	ON	-	75%
	III	-	ON	50%
	IV	-	-	25%

Detection area

Detection area can be reduced by selecting the combination on the DIP switches to fit precisely each application .

Factory setting: I

ON ↑ 		3	4	5	
	I	ON	ON	ON	5S
	II	-	ON	ON	30S
	III	ON	-	ON	90S
	IV	-	-	ON	3min
	V	ON	ON	-	20min
	VI	-	-	-	+∞

Hold time

Refers to the time period the lamp remains at 100% illumination after no motion detected.

Factory setting: VI

ON ↑ 		6	7	8	
	I	ON	ON	ON	0S
	II	-	ON	ON	5S
	III	ON	-	ON	5min
	IV	-	-	ON	10min
	V	ON	ON	-	30min
	VI	-	ON	-	1h
	VII	-	-	-	+∞

Stand-by period

Refers to the time period the lamp remains at a low light level before it completely switches off in the long absence of people. When set to Disable mode, the low light is maintained until motion is detected.

Factory setting: I

ON ↑ 		1	2	
	I	ON	ON	50%
	II	-	ON	30%
	III	ON	-	20%
	IV	-	-	10%

Stand-by dimming level

The low light level you would like to have after the hold time in the long absence of people.

Factory setting: I

ON ↑ 		3	4	5	6	
	I	ON	ON	ON	ON	5Lux
	II	-	ON	ON	ON	15Lux
	III	ON	-	ON	ON	30Lux
	IV	-	-	ON	ON	50Lux
	V	ON	ON	-	ON	100Lux
	VI	ON	ON	ON	-	150Lux
	VII	-	-	-	-	Disable

Daylight sensor

The sensor can be set to only allow the lamp to illuminate below a defined ambient brightness threshold.

When set to Disable mode, the daylight sensor will switch on the lamp when motion is detected regardless of ambient light level.

100lux, 100lux,50lux: twilight operation, 10lux, 5lux: darkness operation only.

Note that daylight sensor is active only when lamp totally switches off.

Factory setting: VII

WARNING / AVERTISSEMENT

MIN 75°C SUPPLY CONDUCTOR

THIS PRODUCT MUST BE INSTALLED IN ACCORDANCE WITH THE APPLICABLE INSTALLATION CODE BY A PERSON FAMILIAR WITH THE CONSTRUCTION AND OPERATION OF THE PRODUCT AND THE HAZARDS INVOLVED.

LES FILS D'ALIMENTATION 75°C MIN

CE PRODUIT DOIT ÊTRE INSTALLÉ SELON LE CODE D'INSTALLATION PERTINENT, PAR UNE PERSONNE QUI CONNAÎT BIEN LE PRODUIT ET SON FONCTIONNEMENT AINSI QUE LES RISQUES INHÉRENTS.

(866) 786-1117 • www.BeyondLEDTechnology.com

Due to continuous product improvement, information in this document is subject to change.

LED Post Top Garden Light

AV Series

Application



LED Post Top Garden Light

AV Series

Application



LED AREA LIGHTS

(866) 786-1117 • www.BeyondLEDTechnology.com

Due to continuous product improvement, information in this document is subject to change.

