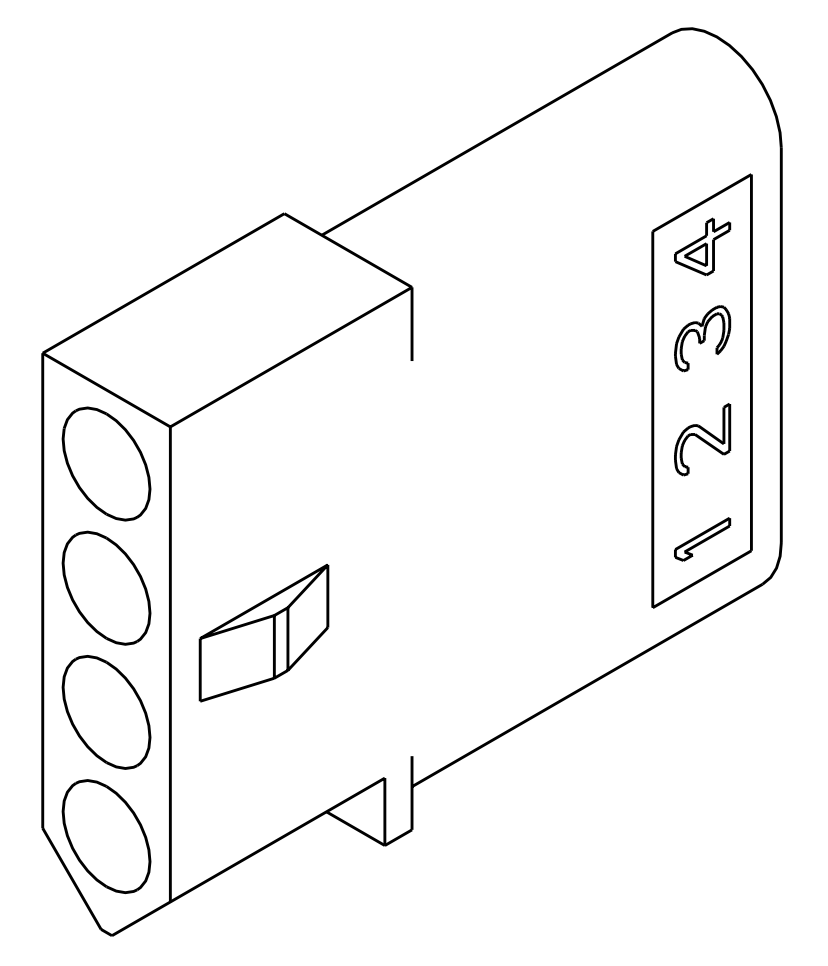
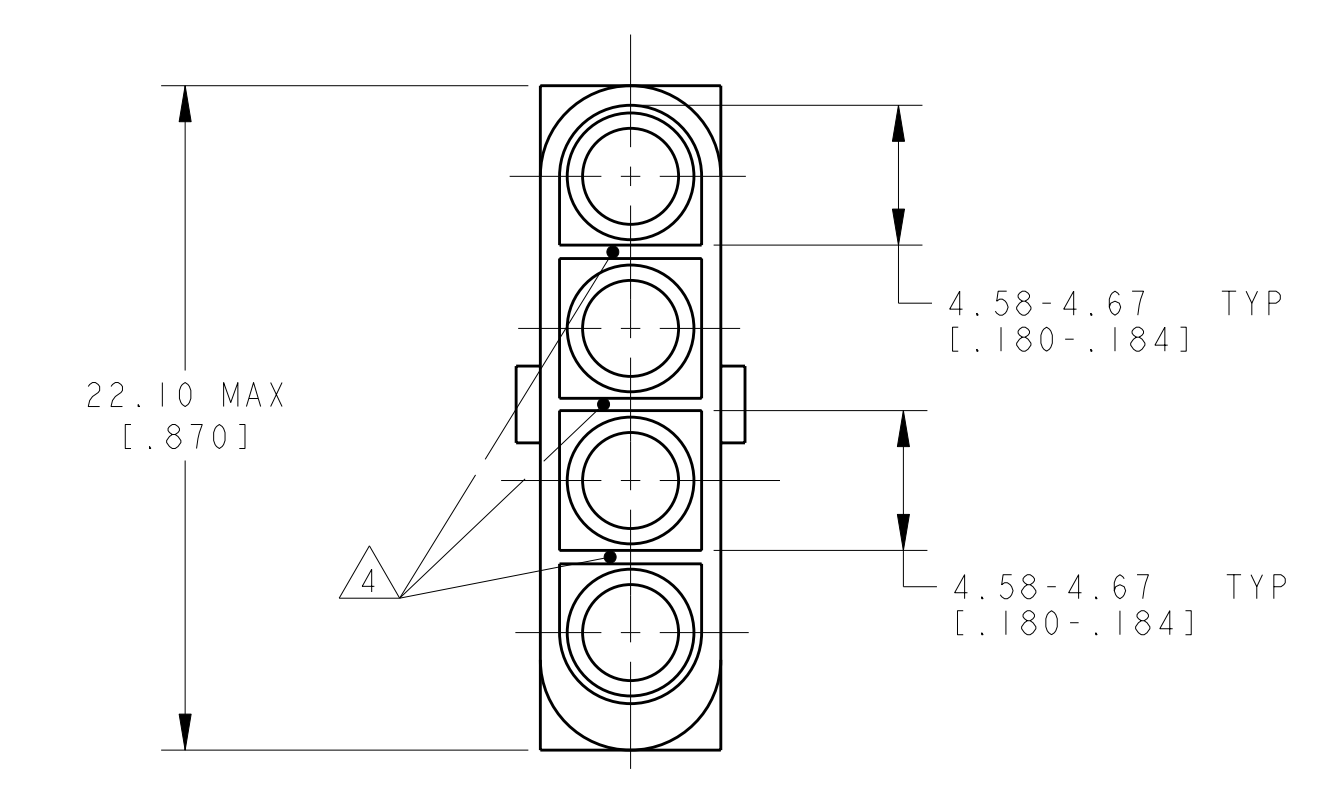
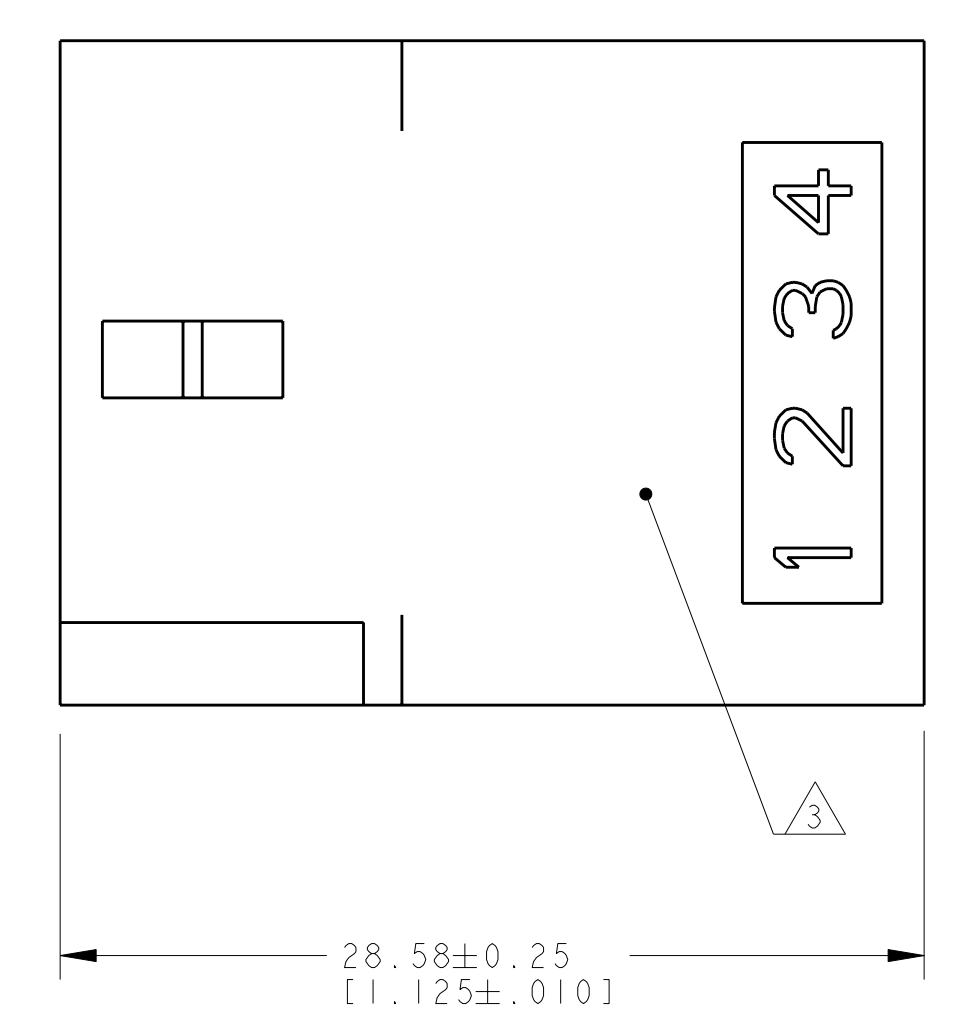
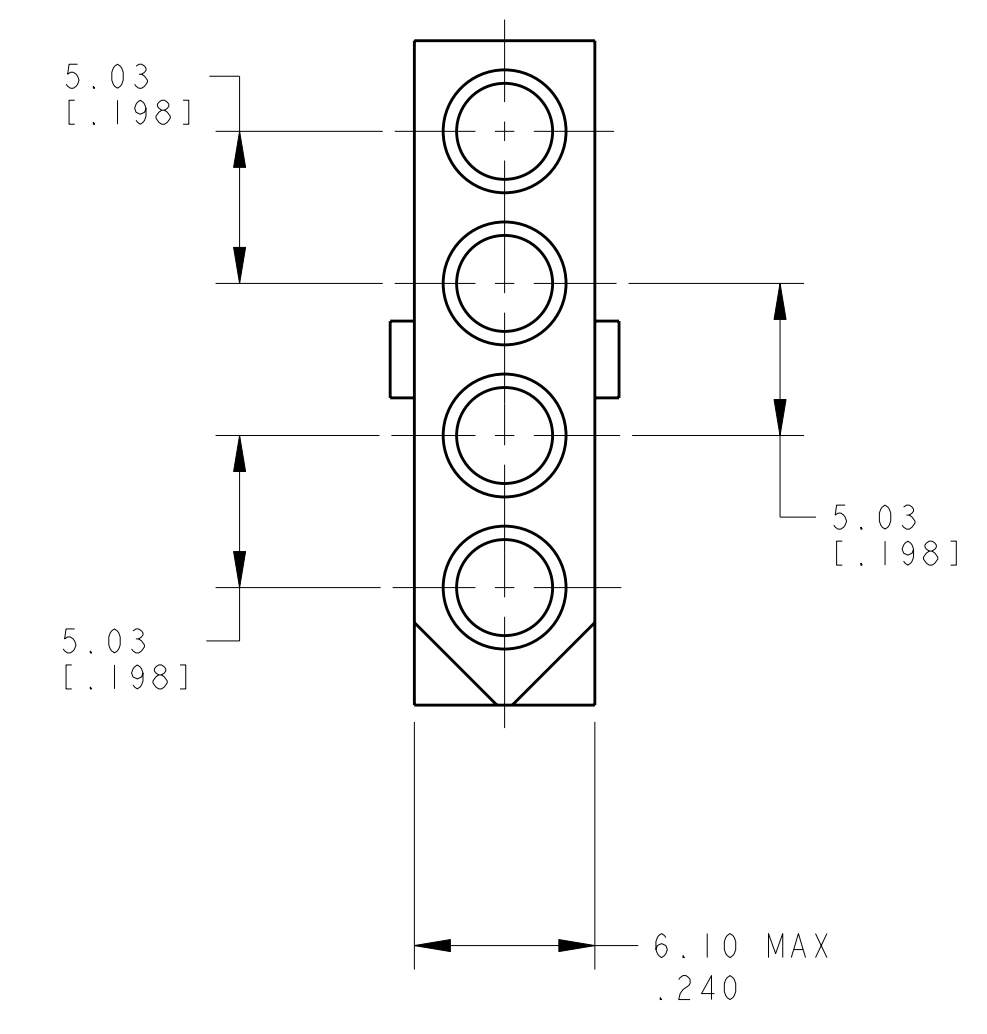


LOC	DIST	REV	DATE	BY	APP'D
CM	00				
		K	30JUL04	KW	DC
		K1	19JUL06	KW	DC

- 1 MATERIAL: NYLON UL94V-2 (NATURAL).
- 2 MARKING FOR UL AND CSA LOGO SHALL BE LOCATED ON ANY EXTERNAL SURFACE.
- 3 AMP LOGO AND CIRCUIT NUMBERS LOCATED IN AREA, EITHER SIDE, SIZE OPTIONAL, FROST BACKGROUND.
- 4 WALL THICKNESS TO MEASURE 0.36-0.46 [.014-.018]



METRIC

770075-1
 PART NUMBER

<small>THIS DRAWING IS UNPUBLISHED. RELEASED FOR PUBLICATION. THIS DRAWING IS UNPUBLISHED. RELEASED FOR PUBLICATION. THIS DRAWING IS UNPUBLISHED. RELEASED FOR PUBLICATION. THIS DRAWING IS UNPUBLISHED. RELEASED FOR PUBLICATION.</small>		DWN: K. WHITAKER 02AUG2004 CHK: D. COLEY 02AUG2004 APVD: D. COLEY 02AUG2004	tyco Electronics Tyco Electronics Harrisburg, PA 17105-3608
DIMENSIONS: mm [INCHES]	TOLERANCES UNLESS OTHERWISE SPECIFIED: 9 PLC ± 8 PLC ± 5 PLC ±0.13 (1.005) 4 PLC ± ANGLES ±	PRODUCT SPEC: APPLICATION SPEC: WEIGHT: CUSTOMER DRAWING	NAME: RECEPTACLE, 4 CIRCUIT, .093 COMMERCIAL PIN AND SOCKET SIZE: CAGE CODE DRAWING NO: A1100779C=770075 RESTRICTED TO:
MATERIAL: NYLON UL94V-2 (NATURAL)		FINISH:	SCALE: 4:1 SHEET 1 OF 1 REV: K1