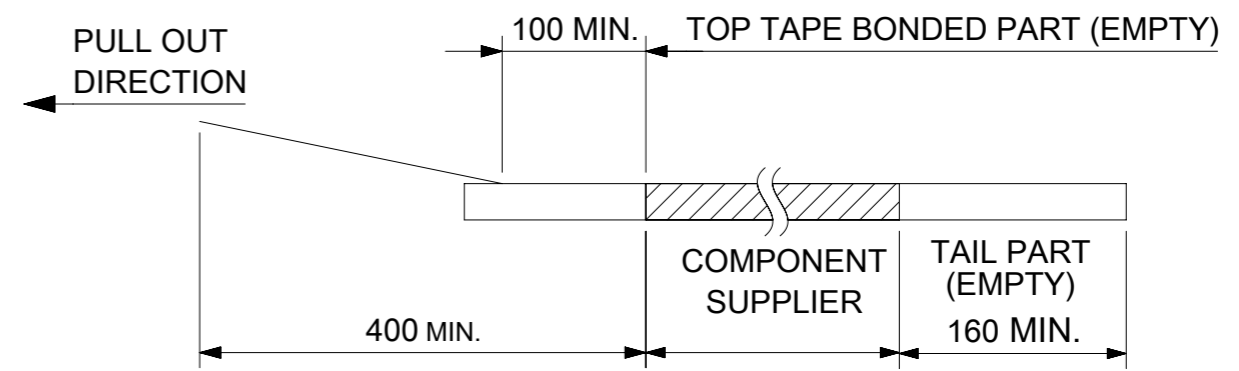
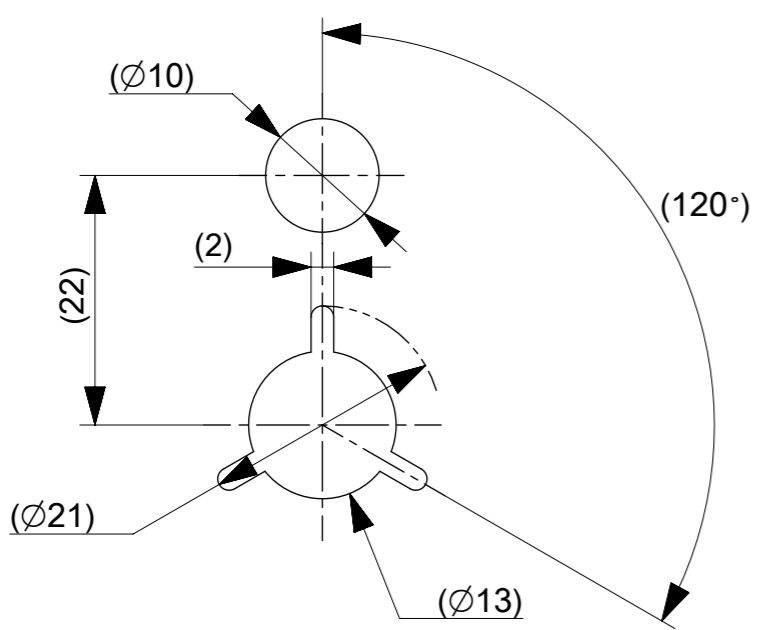


- NOTES
1. FOR DIMENSION OF PRODUCT, REFER TO PRODUCT DRAWING.
 2. NUMBER OF CONNECTORS : 7000 PCS/REEL
 3. LEAD TAPE LENGTH



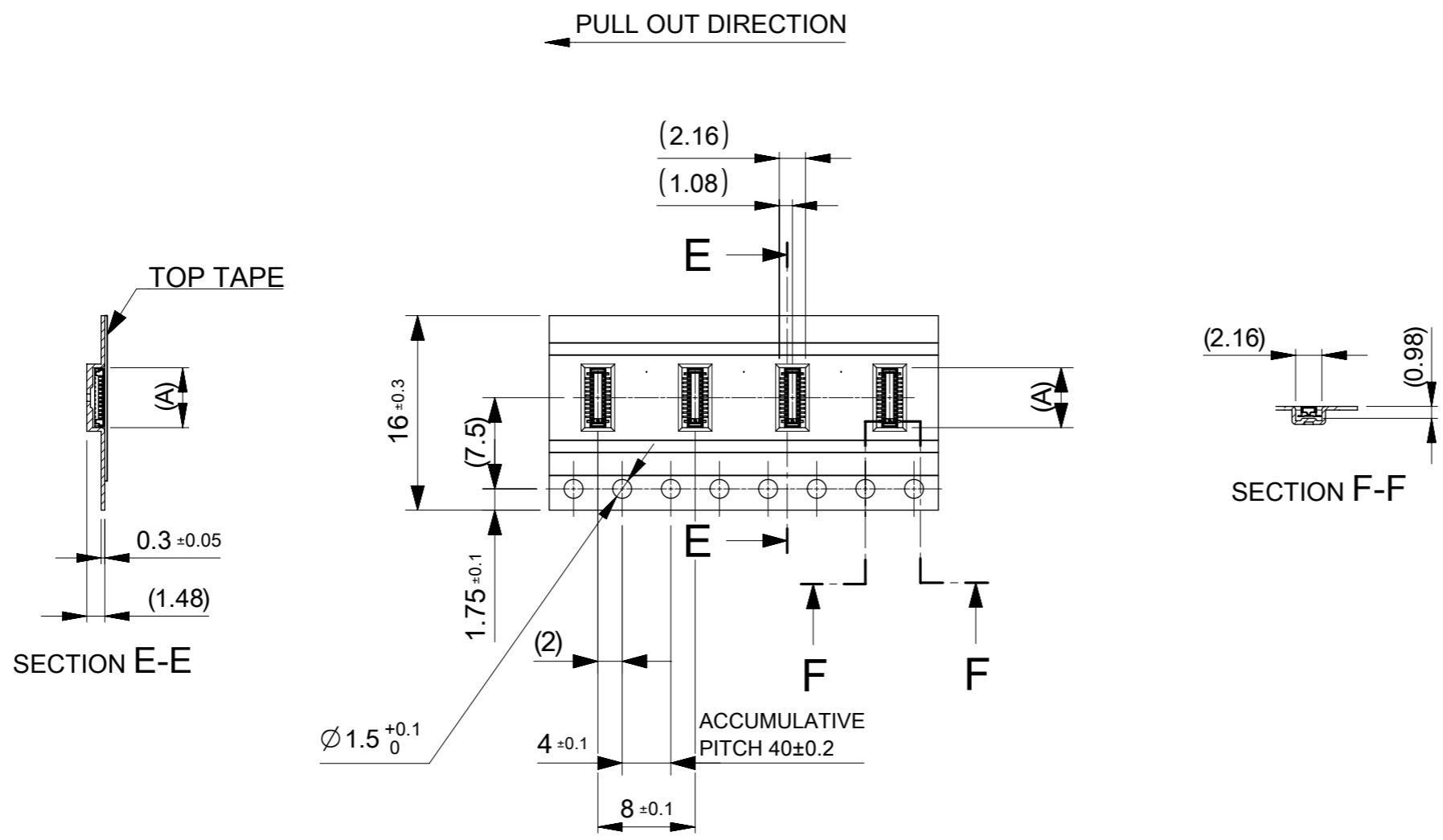
4. TOP TAPE PEEL FORCE IS DEFINED BY IEC60286-3.
5. MATERIAL
 CARRIER TAPE : POLYSTYRENE
 TOP TAPE : PET , OTHER
 REEL : POLYSTYRENE (PS) < RECYCLE MATERIAL CONTAINED >



DETAIL "D"

CONNECTOR SERIES NO. 505417**09

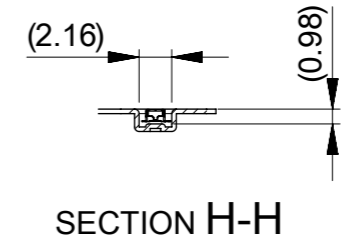
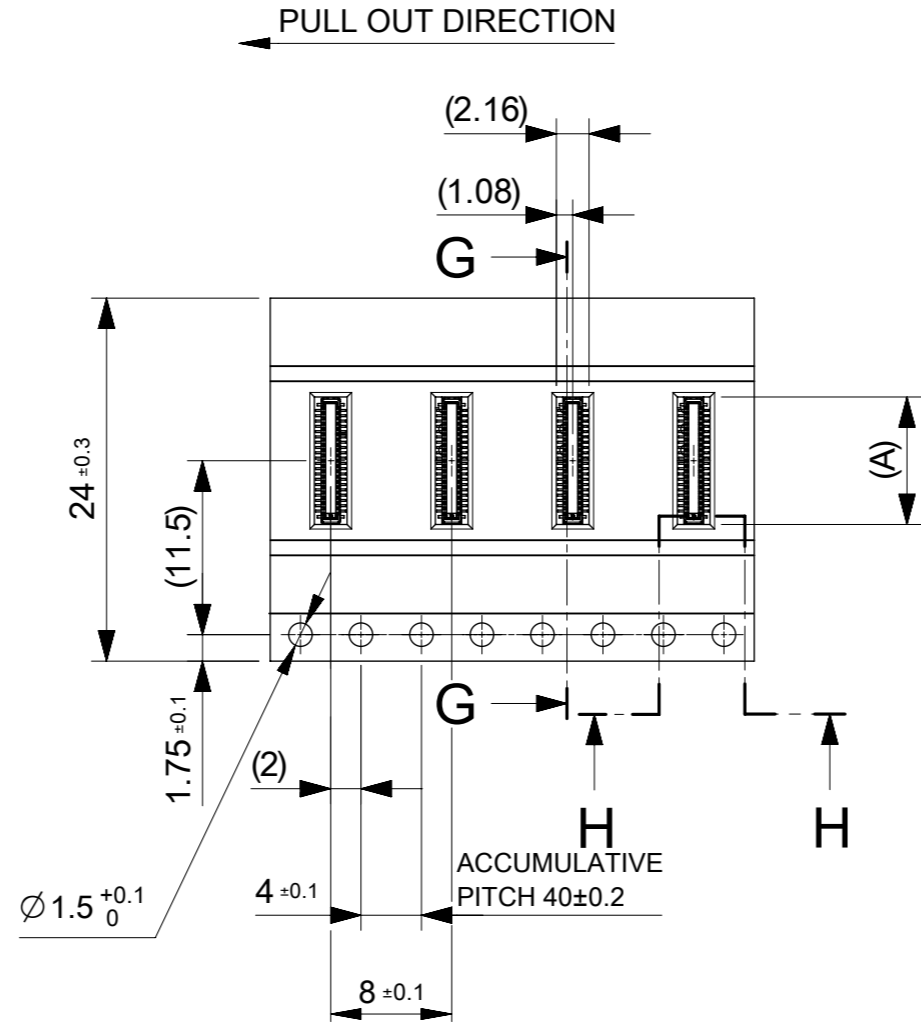
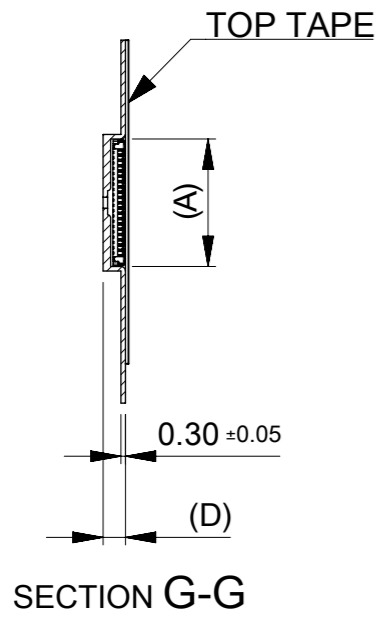
THIS DRAWING CONTAINS INFORMATION THAT IS PROPRIETARY TO MOLEX ELECTRONIC TECHNOLOGIES, LLC AND SHOULD NOT BE USED WITHOUT WRITTEN PERMISSION									
DIMENSION UNITS mm		SCALE NTS		CURRENT REV DESC:				molex	
GENERAL TOLERANCES (UNLESS SPECIFIED)		ANGULAR TOL $\pm 3.0^\circ$		EC NO: 733067					
4 PLACES ± 0.03		3 PLACES ± 0.03		DRWN: NASIMO		2022/12/21		0.35 BB H=1.0 SSB10RP PLUG EMBSTP PKG	
2 PLACES ± 0.05		1 PLACE ± 0.1		CHK'D: YKOBAYASHI02		2022/12/22		PRODUCT CUSTOMER DRAWING	
0 PLACES ± 0.2		DRAFT WHERE APPLICABLE MUST REMAIN WITHIN DIMENSIONS		APPR: KSASAKI		2022/12/23		DOCUMENT NUMBER	
THIRD ANGLE PROJECTION		DRAWING		SERIES		MATERIAL NUMBER		CUSTOMER	
A3-SIZE		505417		2016/03/16		2016/04/26		5054170000	
PSD		000		J		1 OF 3			



16	21.4	17.4	6.68	5054173010	○	---	30
			4.23	5054171610	○	---	16
			3.88	5054171410	○	---	14
			2.43	5054170610	○	---	6
キャリアテープ幅 CARRIER TAPE WIDTH	C	B	(A)	EMBOSSED TAPE PACKAGE	HIGH VOL. TOOL	LOW VOL. TOOL	CIRCUIT
ORDER NO.	SAMPLE PREPARATION ○:TOOLED △:WOOK IN PROCESS ---:TOOLING TO BE CONFIRMED						

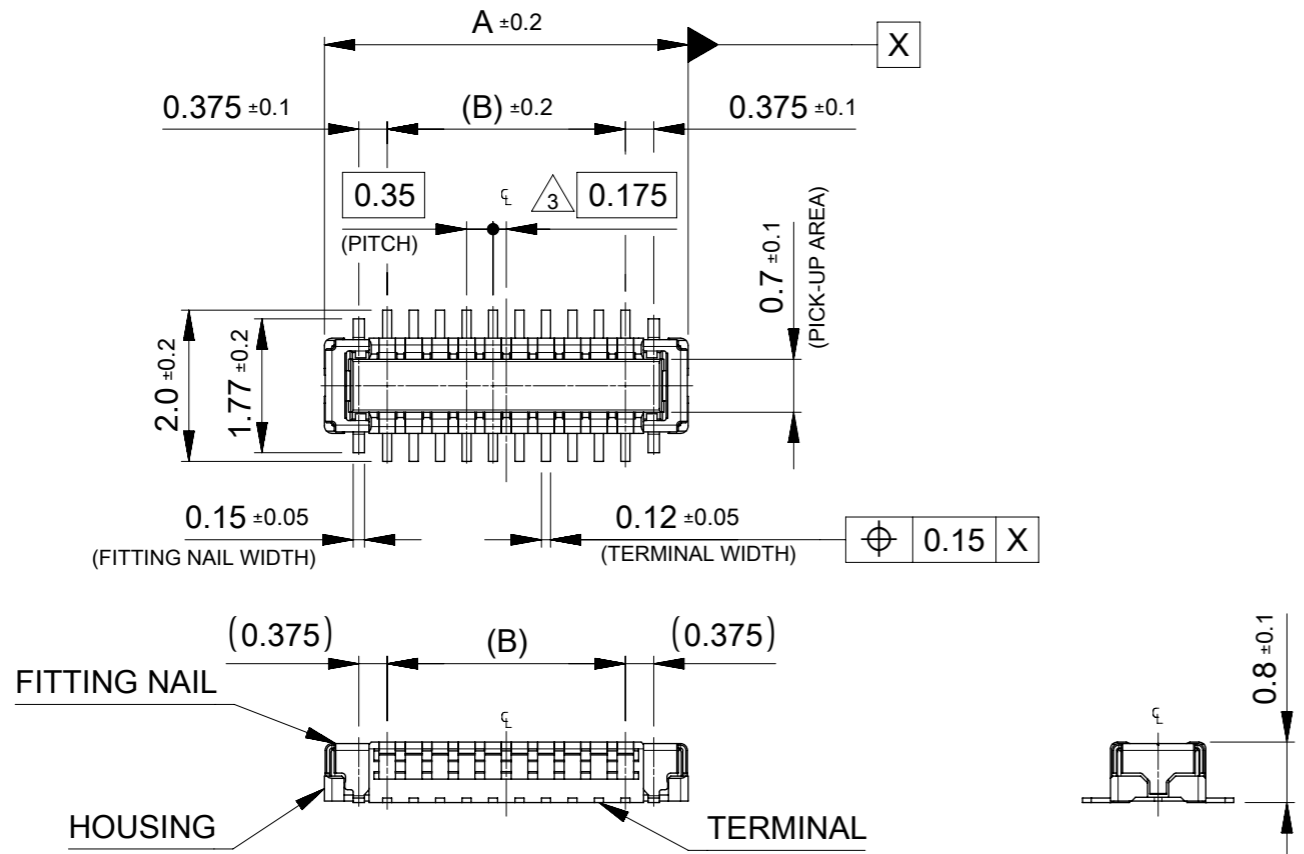
THIS DRAWING CONTAINS INFORMATION THAT IS PROPRIETARY TO MOLEX ELECTRONIC TECHNOLOGIES, LLC AND SHOULD NOT BE USED WITHOUT WRITTEN PERMISSION

DIMENSION UNITS mm	SCALE NTS	CURRENT REV DESC:		molex		
GENERAL TOLERANCES (UNLESS SPECIFIED)		EC NO: 733067				
ANGULAR TOL	± 3.0 °	DRWN: NASIMO		2022/12/21		
4 PLACES	± 0.03	CHK'D: YKOBAYASHI02		2022/12/22		
3 PLACES	± 0.03	APPR: KSASAKI		2022/12/23		
2 PLACES	± 0.05	INITIAL REVISION:		DOCUMENT NUMBER		
1 PLACE	± 0.1	DRWN: NNAKAZAWA		2016/03/16		5054170000
0 PLACES	± 0.2	APPR: KMORIKAWA		2016/04/26		PSD 000 J
DRAFT WHERE APPLICABLE MUST REMAIN WITHIN DIMENSIONS	THIRD ANGLE PROJECTION	DRAWING A3-SIZE	SERIES 505417	MATERIAL NUMBER SEE CHART	CUSTOMER GENERAL	SHEET NUMBER 2 OF 3



24	1.48	29.4	25.4	11.93	5054176010	○	---	60
	1.41			8.43	5054174010	○	---	40
	1.48			7.38	5054173410	○	---	34
キャリアテープ幅 CARRIER TAPE WIDTH	(D)	C	B	(A)	EMBOSSED TAPE PACKAGE	HIGH VOL. TOOL	LOW VOL. TOOL	CIRCUIT
				ORDER NO.	SAMPLE PREPARATION ○:TOOLED △:WOOK IN PROCESS ---:TOOLING TO BE CONFIRMED			

THIS DRAWING CONTAINS INFORMATION THAT IS PROPRIETARY TO MOLEX ELECTRONIC TECHNOLOGIES, LLC AND SHOULD NOT BE USED WITHOUT WRITTEN PERMISSION									
DIMENSION UNITS mm		SCALE NTS		CURRENT REV DESC:					
GENERAL TOLERANCES (UNLESS SPECIFIED)				molex 0.35 BB H=1.0 SSB10RP PLUG EMBSTP PKG PRODUCT CUSTOMER DRAWING					
ANGULAR TOL		± 3.0 °							
4 PLACES		± 0.03							
3 PLACES		± 0.03							
2 PLACES		± 0.05							
1 PLACE		± 0.1							
0 PLACES		± 0.2		EC NO: 733067		DRWN: NASIMO		2022/12/21	
DRAFT WHERE APPLICABLE MUST REMAIN WITHIN DIMENSIONS		THIRD ANGLE PROJECTION		DRAWING A3-SIZE		SERIES 505417		MATERIAL NUMBER SEE CHART	
DOCUMENT STATUS		P1		RELEASE DATE		2022/12/23		03:02:41	
FORMAT: master-ib-prod-A3		REVISION: 11		DATE: 2021/05/01		INITIAL REVISION:		DOCUMENT NUMBER	
						DRWN: NNAKAZAWA		5054170000	
						APPR: KMORIKAWA		PSD 000 J	
						2016/03/16		SHEET NUMBER	
						2016/04/26		3 OF 3	



14.76	14.16	11.90	13.56	5054177010	---	---	70
13.71	13.11	10.85	12.51	5054176410	---	---	64
13.01	12.41	10.15	11.81	5054176010	○	---	60
11.96	11.36	9.10	10.76	5054175410	---	---	54
11.26	10.66	8.40	10.06	5054175010	---	---	50
10.91	10.31	8.05	9.71	5054174810	---	---	48
10.56	9.96	7.70	9.36	5054174610	---	---	46
9.86	9.26	7.00	8.66	5054174210	---	---	42
9.51	8.91	6.65	8.31	5054174010	○	---	40
8.46	7.86	5.60	7.26	5054173410	○	---	34
7.76	7.16	4.90	6.56	5054173010	○	---	30
6.71	6.11	3.85	5.51	5054172410	---	---	24
6.36	5.76	3.50	5.16	5054172210	---	---	22
6.01	5.41	3.15	4.81	5054172010	---	---	20
5.66	5.06	2.80	4.46	5054171810	---	---	18
5.31	4.71	2.45	4.11	5054171610	○	---	16
4.96	4.36	2.10	3.76	5054171410	○	---	14
4.61	4.01	1.75	3.41	5054171210	---	---	12
4.26	3.66	1.40	3.06	5054171010	---	---	10
3.56	2.96	0.70	2.36	5054170610	○	---	6

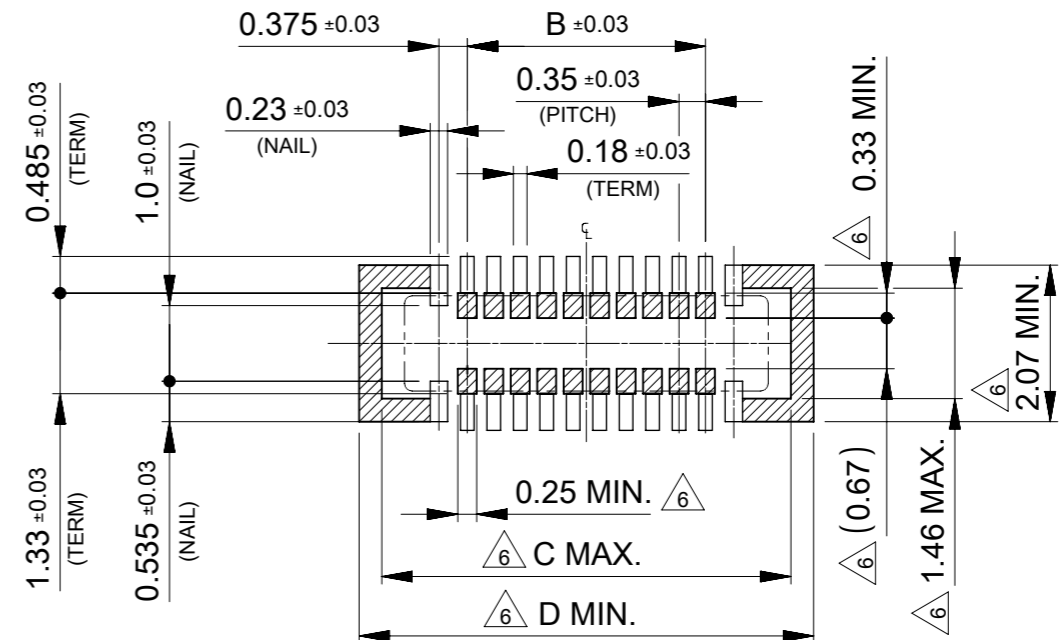
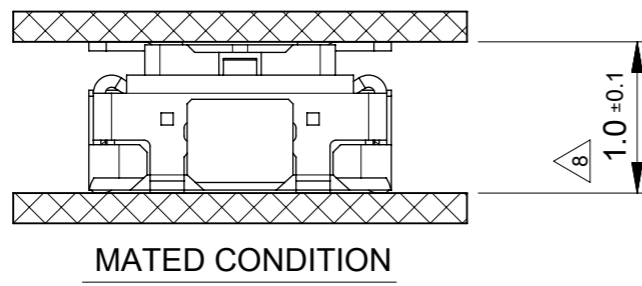
NOTES

- MATERIAL**
HOUSING : LIQUID CRYSTAL POLYMER UL94V-0 (COLOR : BLACK)
TERMINAL : COPPER ALLOY
FITTING NAIL : COPPER ALLOY
- PLATING**
TERMINAL :
GOLD
UNDER PLATING NICKEL
*DIVIDE INTO PARTS THE GOLD PLATING OF CONTACT AND THE TAIL PART BY THE NICKEL PLATING.
FITTING NAIL :
GOLD(ONLY CONTACT AND TAIL PART)
UNDER PLATING NICKEL
- APPLY FOR (CIRCUIT/2)=EVEN
- MATE WITH : 505413**10
- TAIL AND FITTING NAIL COPLANARITY TO BE 0.08MAXIMUM.
- PROHIBITED AREA OF PATTERN WIRING AND SOLDER.
(FOR EACH AREA, THE WIRING THAT TOUCHES ON THE SOLDER CAN BE ATTACHED, THEN COVERED WITH A FILM TO KEEP SOLDER OUT.)
- ELV and RoHS COMPLIANT.
- THIS DIMENSION SHOWS THE DIMENSION BETWEEN SOLDERING SURFACE OF SOLDER TAILS.

D	C	B	A	EMBOSSED TAPE PACKAGE	MASS PRODUCTION	LOW VOL. TOOL	CIRCUIT
				ORDER No.	SMAPLE PREPARATION ○: TOOLED △: WORK IN PROCESS ---: TOOLING TO BE CONFIRMED		
				CONNECTOR No. : 505417**09			

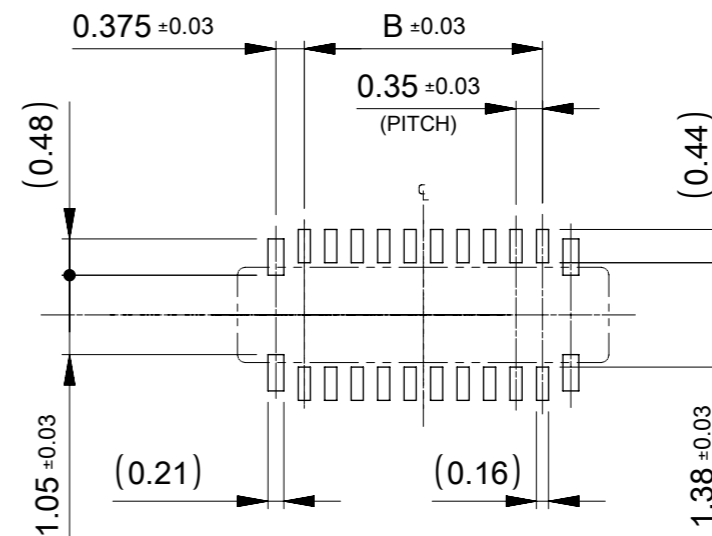
THIS DRAWING CONTAINS INFORMATION THAT IS PROPRIETARY TO MOLEX ELECTRONIC TECHNOLOGIES, LLC AND SHOULD NOT BE USED WITHOUT WRITTEN PERMISSION

DIMENSION UNITS	SCALE	CURRENT REV DESC:		molex			
mm	10:1						
GENERAL TOLERANCES (UNLESS SPECIFIED)				0.35 BB CONN. H=1.0 SSB10RP PLUG ASSY			
ANGULAR TOL	± 3.0 °	EC NO: 733067		PRODUCT CUSTOMER DRAWING			
4 PLACES	± 0.03	DRWN: NASIMO 2022/12/21		DOCUMENT NUMBER			
3 PLACES	± 0.03	CHK'D: YKOBAYASHI02 2022/12/22		5054171000			
2 PLACES	± 0.05	APPR: KSASAKI 2022/12/23		PSD 000 G			
1 PLACE	± 0.1	INITIAL REVISION:		DOC TYPE DOC PART REVISION			
0 PLACES	± 0.2	DRWN: HONO01 2016/04/25		2016/04/26			
DRAFT WHERE APPLICABLE MUST REMAIN WITHIN DIMENSIONS		THIRD ANGLE PROJECTION	DRAWING	SERIES	MATERIAL NUMBER	CUSTOMER	SHEET NUMBER
			A3-SIZE	505417	SEE CHART	GENERAL	1 OF 2



RECOMMENDED P.W.BOARD PATTERN LAYOUT (REFERENCE)

PROHIBITED AREA OF PATTERN WIRING AND SOLDER.
(FOR EACH AREA, THE WIRING THAT TOUCHES ON THE SOLDER CAN BE ATTACHED, THEN COVERED WITH A FILM TO KEEP SOLDER OUT.)



RECOMMENDED METAL MASK LAYOUT (REFERENCE)

RECOMMENDED THICKNESS OF METAL MASK : t=0.08mm

RECOMMENDED OPEN APERTURE RATIO OF METAL MASK : 80%

THIS DRAWING CONTAINS INFORMATION THAT IS PROPRIETARY TO MOLEX ELECTRONIC TECHNOLOGIES, LLC AND SHOULD NOT BE USED WITHOUT WRITTEN PERMISSION												
DIMENSION UNITS		SCALE		CURRENT REV DESC:				molex				
mm		10:1										
GENERAL TOLERANCES (UNLESS SPECIFIED)				EC NO: 733067 DRWN: NASIMO 2022/12/21 CHK'D: YKOBAYASHI02 2022/12/22 APPR: KSASAKI 2022/12/23 INITIAL REVISION: DRWN: HONO01 2016/04/25 APPR: KMORIKAWA 2016/04/26				0.35 BB CONN. H=1.0 SSB10RP PLUG ASSY				
ANGULAR TOL ± 3.0 °								PRODUCT CUSTOMER DRAWING				
4 PLACES ± 0.03								DOCUMENT NUMBER		DOC TYPE	DOC PART	REVISION
3 PLACES ± 0.03								5054171000		PSD	000	G
2 PLACES ± 0.05								MATERIAL NUMBER		CUSTOMER		SHEET NUMBER
1 PLACE ± 0.1								SEE CHART		GENERAL		2 OF 2
0 PLACES ± 0.2												
DRAFT WHERE APPLICABLE MUST REMAIN WITHIN DIMENSIONS				THIRD ANGLE PROJECTION		DRAWING	SERIES					
						A3-SIZE	505417					