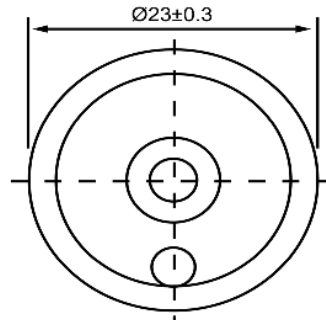
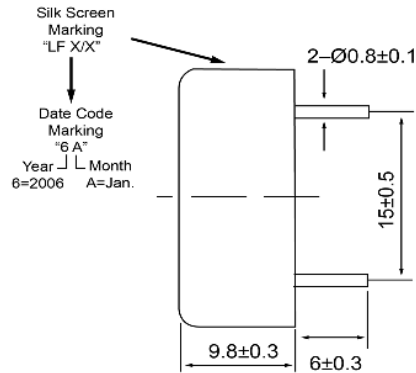




TOP VIEW



SIDE VIEW



| Specifications | | | Notes | Revision History | | | | | |
|---|-----------|-------|---|------------------|---------------------------|-------------------|----------|--|------------------|
| Description | Value | Unit | | Version | Description | Date | Approved | | |
| Technology | Piezo | | 1) All dimensions are in mm unless otherwise noted 2) All parts meet RoHS | 1 | Released from Engineering | 10/21/2013 | J.S | | |
| Resonant Frequency | 4,800 | (Hz) | | | | | | | |
| Rated Voltage | 12 | (V) | | | | | | | |
| SPL @ 10cm | 85 | (dBA) | | | | | | | |
| Capacitance | 15,000 | (pF) | | | | | | | |
| Mount Type | Thru-hole | | | | | | | | |
| Voltage Range | 1 ~ 40 | (V) | | | | | | | |
| Max Rated Current | 7 | (mA) | | | | | | | |
| Housing Material | PBT | | | | | | | | |
| Operating Temperature | -20 ~ +60 | °C | | | | | | | |
| Storage Temperature | -20 ~ +60 | °C | | | | | | | |
| Weight | 3.5 | (g) | | | | | | | |
|  DB UNLIMITED | | |  | | | TP234812-1 | | | |
| | | | | | | | | | Drawn by A.B. |

Additional considerations can be found at www.dbunlimitedco.com/technical-articles.