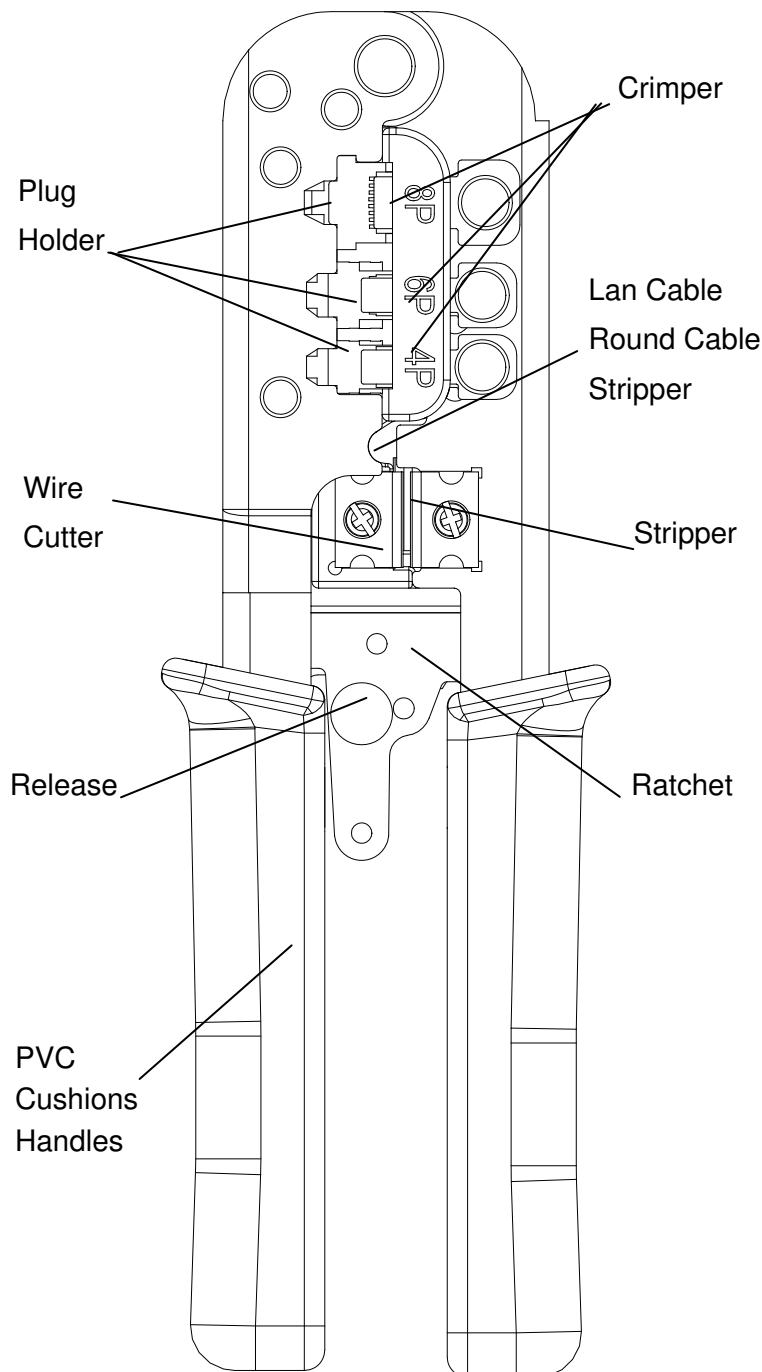


DL-5468/5468R/568/568R/546/546R

PROFESSIONAL MODULAR CUTS-STRIPS-CRIMPS TOOL



Specification:

● **Item No:**

DL-5468

(8P8C/RJ45,6P6C/RJ-12,6P4C/RJ-11,6P2C)
(4P4C,4P2C)

DL-5468R

(8P8C/RJ45,6P6C/RJ-12,6P4C/RJ-11,6P2C)
(4P4C,4P2C) With Ratchet

DL-568

(8P8C/RJ45,6P6C/RJ-12,6P4C/RJ-11,6P2C)

DL-568R

(8P8C/RJ45,6P6C/RJ-12,6P4C/RJ-11,6P2C)
With Ratchet

DL-546

(6P6C/RJ-12,6P4C/RJ-11,6P2C,4P4C,4P2C,)

DL-546R

(6P6C/RJ-12,6P4C/RJ-11,6P2C,4P4C,4P2C,)

With Ratchet

* **Length:** 8" (203+/-3mm)

* **Material:** Carbon Steel

* **Weight:** 350g

* **Finished:** Black oxide finished.