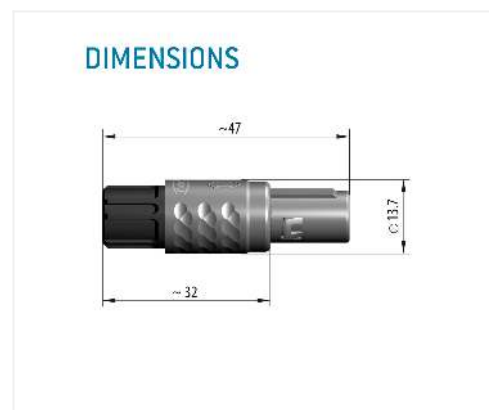
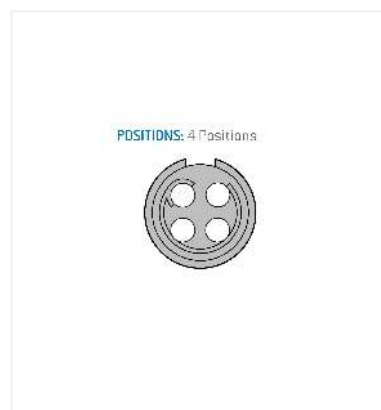


**General information**

|                          |                     |
|--------------------------|---------------------|
| <b>Part number</b>       | S11MC7-P04MJG0-5260 |
| <b>Termination</b>       | solder              |
| <b>Size</b>              | 1                   |
| <b>Locking principle</b> | push                |
| <b>Coding</b>            | c_key_medi          |
| <b>Cable Diameter</b>    | cable_medi_52       |
| <b>Cable outlet</b>      | standard            |



**Contact insert description**

|                             |        |
|-----------------------------|--------|
| <b>Number of contacts</b>   | 4      |
| <b>Contact type</b>         | pins   |
| <b>Contact diameter</b>     | 09mm   |
| <b>Insulator material</b>   | peek   |
| <b>Wire cross section</b>   | 22_awg |
| <b>Termination</b>          | solder |
| <b>Termination diameter</b> | 085mm  |

reverse\_gender\_on\_request

**Technical information**

|   |          |                       |
|---|----------|-----------------------|
| <b>Max. creepage and air clearance distance</b> | 12_mm    | iec_60601_2mopp_2moop |
| <b>Nominal current single contact</b>           | 075_a    | iec_60512_5_2         |
| <b>Nominal current insert</b>                   | 7,5 A    | vde_0298_4            |
| <b>Test voltage</b>                             | 19_kv_dc | sae_13441             |

safety\_text  
 iec\_60601\_plug

## Mechanical and environmental data

|                       |          |
|-----------------------|----------|
| Degree of protection* | ip50     |
| Operating temperature | 50_120_c |
| Mating cycles         | 2000     |

mated\_unmated

## Insulator materials MEDI-SNAP®

psu\_peek

## Material and surface treatments

|              |               |
|--------------|---------------|
| Housing      | psu_gray      |
| Color option | blue          |
| Contact      | cu_alloy_gold |

safety\_text\_2  
ul\_text  
illustrative\_text