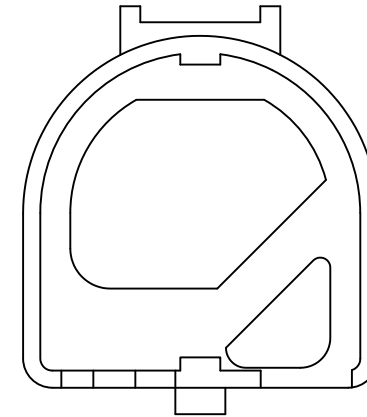
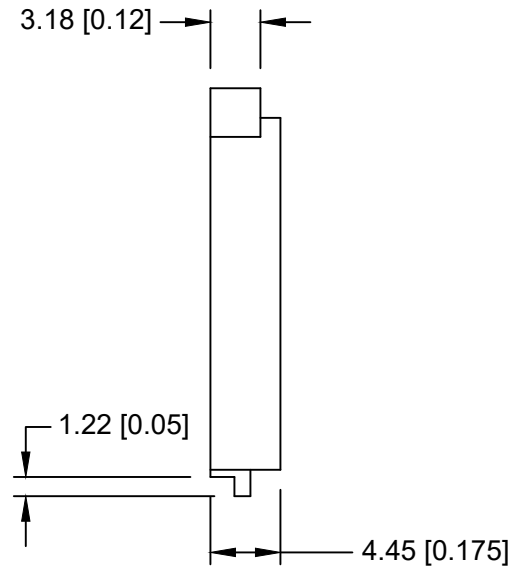
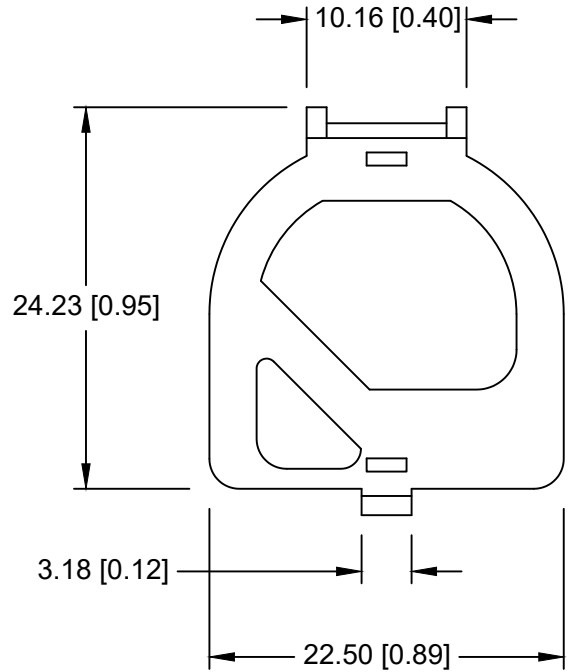



Date	SYM	REVISION RECORD	AUTH	DR.	CK.
9/12/14	C	UPDATED DESIGN	T.B.	B.S.	
3/09/18	D	UPDATED DESIGN	T.B.	B.S.	
10/24/19	E	ADDED WEIGHT OF THE PART	T.B.	B.S.	



SPECIFICATIONS:

- * MATERIAL: CLEAR POLYPROPYLENE, UL 94-HB, UL FILE # E216959
- * TEMPERATURE RANGE: -40°C TO +80°C
- * ROHS COMPLIANT

Weight: 0.44g

Tolerance (Except as noted)	 Memory Protection Devices, Inc 200 Broad Hollow Road, Farmingdale, New York 11735	Scale	Drawn By B.S.
			Approved By T.B.
decimal ±.5 (.020)	Title CR2032 VERTICAL BATTERY HOLDER COVER		
Fractional ± .8 (.030)	Date 10/24/19	Drawing Number BVSD-2032-COVER	
Angular ± 3°			