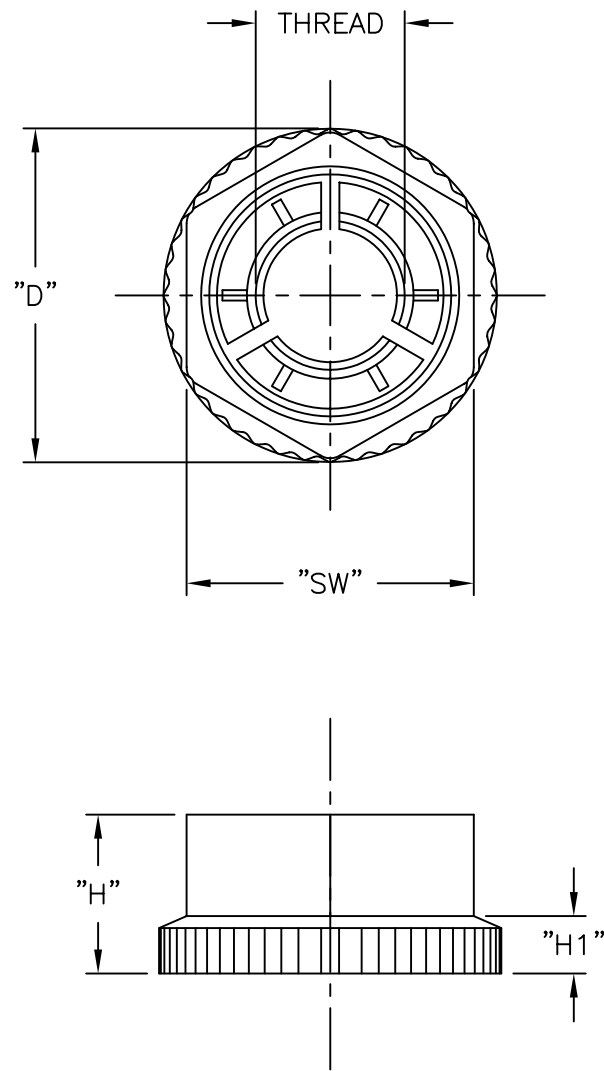


PART NUMBER	THREAD	SW	D	H	H1
KNF-30	M3	.28(7)	.32(8.2)	.15(4.0)	.06(1.5)
KNF-40	M4	.32(8)	.37(9.4)	.19(4.7)	.06(1.5)
KNF-50	M5	.39(10)	.46(11.7)	.23(5.8)	.08(2.0)
KNF-60	M6	.51(13)	.60(15.2)	.28(7.0)	.10(2.5)



NOTES:

1. MATERIAL: NYLON 66, (RMS-48).
2. COLOR: BLACK.

REV	DESCRIPTION	ENGR	DATE
B	ADDED RMS-48	SM	03.16.01
A	REMOVED P/N'S: KNF-80 & KNF-100	SM	03.01.01

TITLE: KWIK NUT FASTENER				DWG IN IN(MM)		FINAL	
TOLERANCES UNLESS NOTED .XX=±.010 .XXX=±.005 FRAC=±1/64 ANG=±1°		FILE # KNF-SERIES	DWN: E.P.	APP:	PART #		PRINT TYPE
		MAT'L: SEE NOTES	DT: 11/20/98	DT:	KNF-SERIES		CA
		RE: RICHCO INC.	RICHCO INC. PO BOX 804238, CHICAGO, 60680 (773) 539-4060				