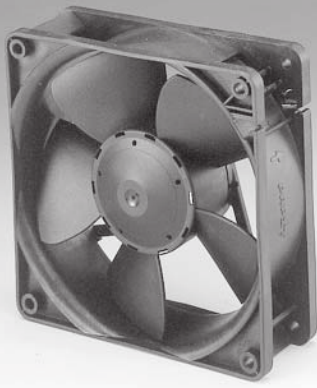


# 4200N Series

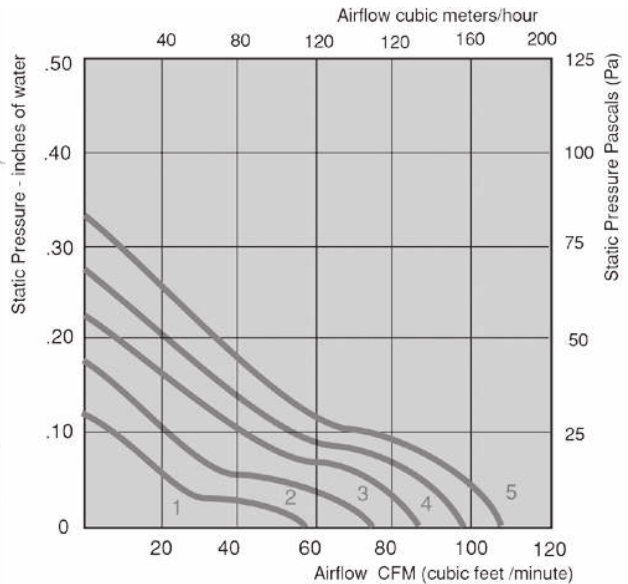
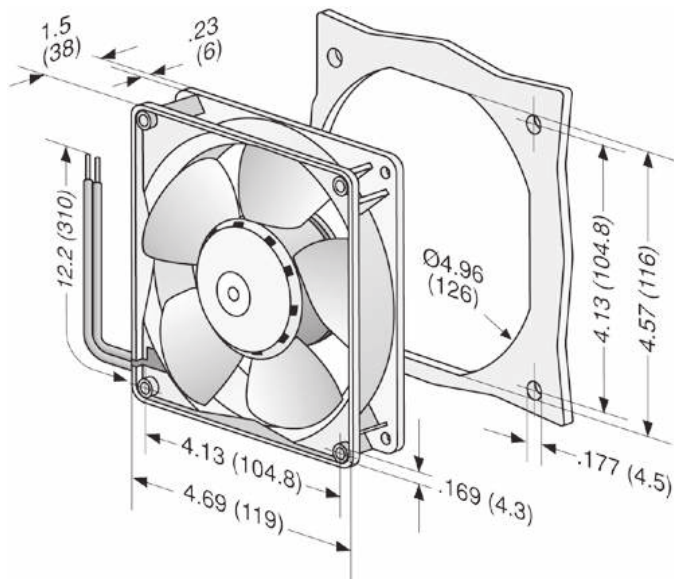
Tubeaxial

119x119x38mm



- DC fans with electronically commutated external rotor motor. Fully integrated commutation electronics.
- With electronic protection against reverse polarity, blocking and overloading; partially impedance protected.
- Mounting from either face using four 4.3 mm holes.
- Fan of fiberglass reinforced plastic. PBTP housing, PA impeller.
- Air exhaust over struts. Rotational direction CCW looking at rotor.
- Electrical connection via 2 leads AWG 22, TR 64. Stripped and tinned ends.
- UL, CSA, VDE approvals on some models, please contact application engineering.

Part Number	Curve	CFM @ 0	VDC	Volt. Range	Power (W)	dBA	Max Amb. Temp C	Bearing Type	Features	Wgt. (lbs)
4212NGL	1	59	12	7 to 14.5	1.4	28	70	Sintec	Leads	0.63
4212NL	1	59	12	7 to 14.5	1.1	28	70	Ball	Leads	0.63
4212NGML	2	75	12	7 to 14.5	2.2	35	70	Sintec	Leads	0.63
4212NML	2	75	12	7 to 14.5	1.9	35	70	Ball	Leads	0.63
4212NGM	2	85	12	7 to 14.5	3.0	38	70	Sintec	Leads	0.63
4212NM	3	85	12	7 to 14.5	2.8	38	70	Ball	Leads	0.63
4212NGN	2	97	12	7 to 14.5	4.0	42	70	Sintec	Terminals	0.63
4212NN	4	97	12	7 to 14.5	4.0	42	70	Ball	Leads	0.63
4212NGH	3	106	12	7 to 14.5	5.0	45	70	Sintec	Leads	0.63
4212NH	5	106	12	7 to 14.5	4.8	45	70	Ball	Leads	0.63
4212NHH	6	121	12	7 to 14.5	7.5	49	70	Ball	Leads	0.63
<hr/>										
4214NGL	1	59	24	12 to 28	1.4	28	70	Sintec	Leads	0.63
4214NL	1	59	24	12 to 28	1.2	28	70	Ball	Leads	0.63
4214NGML	2	75	24	12 to 28	2.2	35	70	Sintec	Leads	0.63
4214NML	2	75	24	12 to 28	1.9	35	70	Ball	Leads	0.63



**ebmpapst**

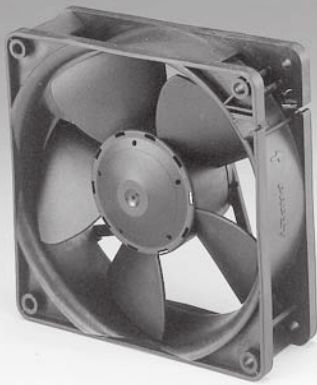
e-mail: [sales@us.ebmpapst.com](mailto:sales@us.ebmpapst.com) · TEL: 860-674-1515 · FAX: 860-674-8536

ebm-papst Inc., 100 Hyde Road, Farmington, CT 06034 USA

ebm-papst Inc., 2004 © ebm-papst Inc. reserves the right to change any specifications or data without notice

# 4200N Series cont. Tubeaxial

119x119x38mm



- DC fans with electronically commutated external rotor motor. Fully integrated commutation electronics.
- With electronic protection against reverse polarity, blocking and overloading; partially impedance protected.
- Mounting from either face using four 4.3 mm holes.
- Fan of fiberglass reinforced plastic. PBTP housing, PA impeller.
- Air exhaust over struts. Rotational direction CCW looking at rotor.
- Electrical connection via 2 leads AWG 22, TR 64. Stripped and tinned ends.
- UL, CSA, VDE approvals on some models, please contact application engineering.

Part Number	Curve	CFM @ 0	VDC	Volt. Range	Power (W)	dBA	Max Amb. Temp C	Bearing Type	Features	Wgt. (lbs)
4214NGM	2	85	24	12 to 28	3.0	38	70	Sintec	Leads	0.63
4214NM	3	85	24	12 to 28	2.6	38	70	Ball	Leads	0.63
4214NGN	2	97	24	12 to 28	4.0	42	70	Sintec	Terminals	0.63
4214NN	4	97	24	12 to 28	3.6	42	70	Ball	Leads	0.63
4214NGH	3	106	24	12 to 28	5.0	45	70	Sintec	Leads	0.63
4214NH	5	106	24	12 to 28	4.8	45	70	Ball	Leads	0.63
4214NHH	6	121	24	12 to 28	7.5	49	70	Ball	Leads	0.63
<hr/>										
4218NN	4	97	48	36 to 56	3.6	42	70	Ball	Leads	0.63
4218NGH	3	106	48	36 to 56	5.0	45	70	Sintec	Leads	0.63
4218NH	5	106	48	36 to 56	4.8	45	70	Ball	Leads	0.63

