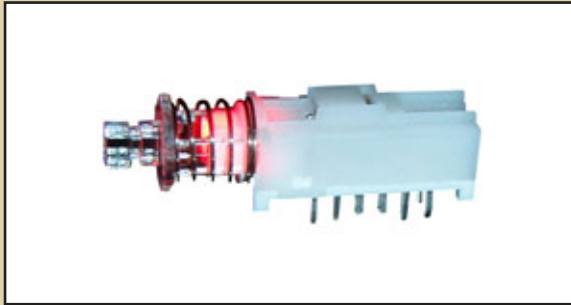


# SERIES WBL SWITCHES



## ILLUMINATED PUSHBUTTON SWITCH



### MECHANICAL SPECIFICATIONS

Mechanical Life:	10,000 cycles
Force:	200 +/- 100 grams
Travel:	Full: 3.30 +/- 0.3mm; To Lock: 2.50 +/- 0.3mm

### ELECTRICAL SPECIFICATIONS

Contact Arrangement:	DPDT & 4PDT
Contact Rating:	30VDC, 300mA
Contact Resistance:	50mΩ (initial max)
Insulation Resistance:	100MΩ (Min @ 500VDC)
Dielectric Strength:	500VAC

### ENVIRONMENTAL SPECIFICATIONS

Operating Temperature:	-20°C to +70°C
Storage Temperature:	-20°C to +70°C

### FEATURES & BENEFITS

- 2 or 4 pole options
- Cap Option
- Multiple LED colors

### APPLICATIONS / MARKETS

- Telecommunications
- Consumer electronics
- Audio/Visual
- Medical equipment
- Computer/servers/peripherals

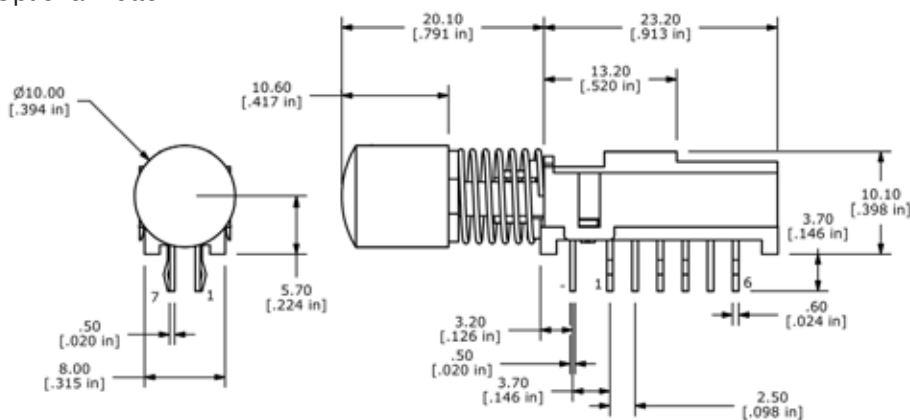
### HOW TO ORDER:

SERIES	POLES	CONFIGURATION	LED COLOR	PLATING	BUTTON (optional)	BUTTON COLOR (optional)
WBL						
	2U = 2 pole 4U = 4 pole	OA = Momentary EE = Latching	R = Red G = Green Y = Yellow X = None B = Blue RG = Red-Green RB = Red-Blue RY = Red-Yellow GB = Green-Blue GY = Green-Yellow YB = Yellow-Blue	Q = Silver	R05 = 10mm Dia.	CLR = Transparent

Parts to be packaged in trays, 84 pieces per tray.

Specifications subject to change without notice.

### Optional Button:



### LED SPECIFICATIONS

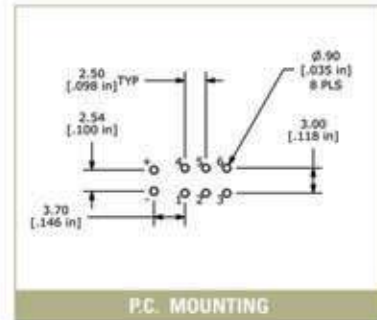
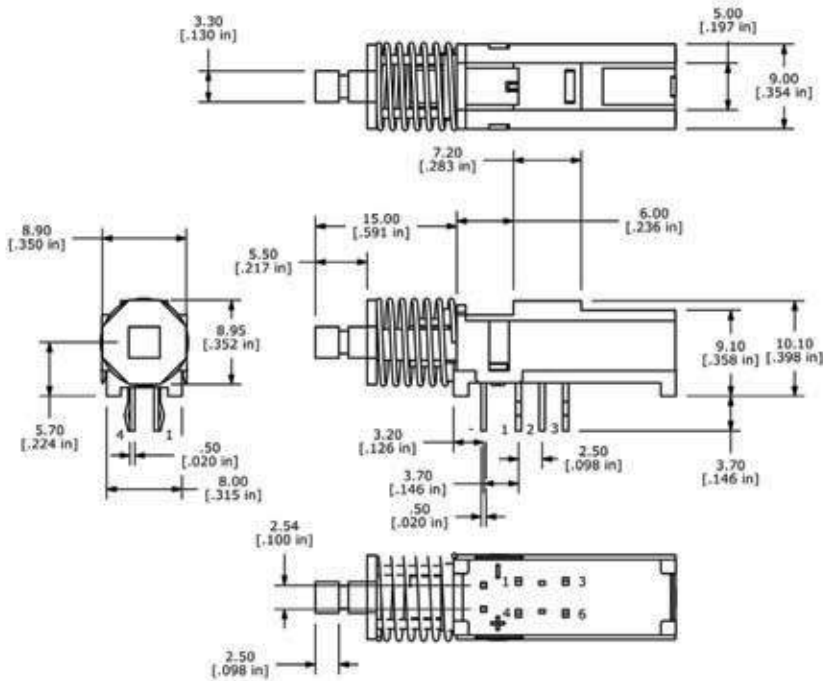
	Units	Blue	Red	Green	Yellow
Forward Current	mA	20mA	20mA	20mA	20mA
Forward Voltage @ 20mA	VDC	3.5 typ - 4.0 max	1.7 typ - 2.6 max	1.7 typ - 2.6 max	1.7 typ - 2.6 max
Luminous Intensity @ 20mA	mcd	350 typ	1.6 typ	4.7 typ	4.7 typ

# SERIES WBL SWITCHES

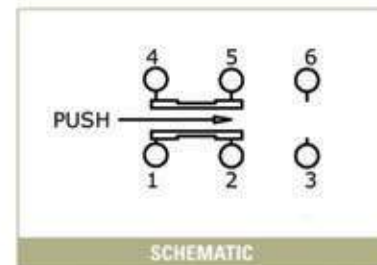


E-SWITCH<sup>®</sup>

## 2 Pole Option:

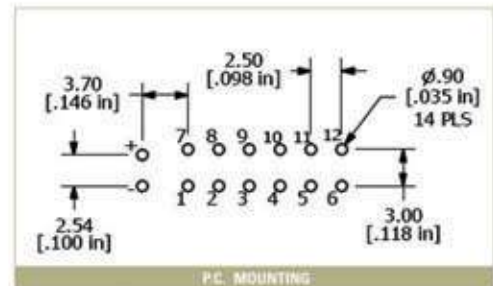
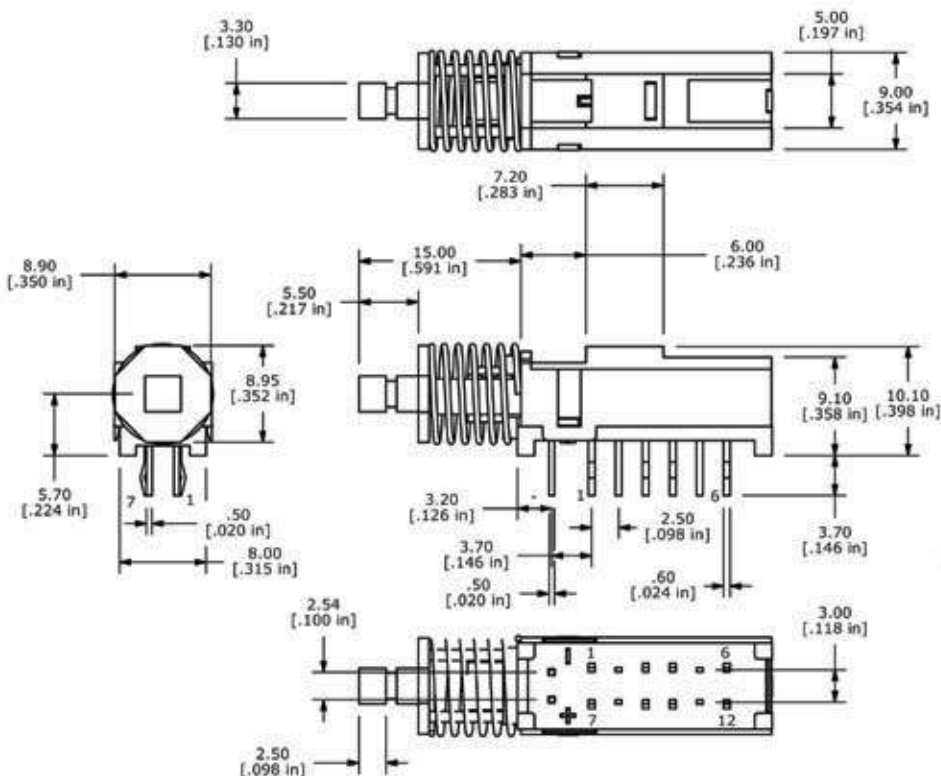


P.C. MOUNTING

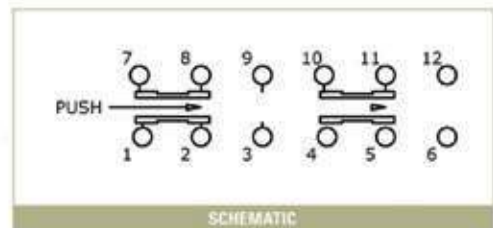


SCHEMATIC

## 4 Pole Option:



P.C. MOUNTING



SCHEMATIC