

SACC-M12MRX-8CT-CL SH - Data connector



1422845

<https://www.phoenixcontact.com/us/products/1422845>

Please be informed that the data shown in this PDF document is generated from our online catalog. Please find the complete data in the user documentation. Our general terms of use for downloads are valid.



Data connector, Ethernet CAT6_A (10 Gbps), PROFINET CAT6_A (10 Gbps), 8-position, shielded, Plug angled M12, X, Crimp connection, knurl material: Zinc die-cast, tin-plated, external cable diameter 6.5 mm ... 10 mm, without crimp contacts

Your advantages

- Extremely compact, thanks to the small wiring space and high contact density
- Safe use in the field, thanks to a high degree of protection
- Safely shielded: reliable shield connection even under extreme mechanical strain
- Robust connection: suitable for railway applications with high shock and vibration loads

Commercial data

Item number	1422845
Packing unit	1 pc
Minimum order quantity	1 pc
Sales key	BF34
Product key	BF2CJJ
Catalog page	Page 27 (C-2-2019)
GTIN	4055626381893
Weight per piece (including packing)	36.53 g
Weight per piece (excluding packing)	36.53 g
Customs tariff number	85366990
Country of origin	DE

SACC-M12MRX-8CT-CL SH - Data connector



1422845

<https://www.phoenixcontact.com/us/products/1422845>

Technical data

Notes

General	This product corresponds to the PROFINET Cabling and Interconnection Technology Guideline for PROFINET regulations, version 2.00, order no: 2.252, Chapter 8.2 Connectors for Outside Environment (Balanced cabling)
General	NOTE: Observe the permissible bending radii when laying conductors, since the degree of protection may be put in jeopardy if the bending forces are too high. Alleviate mechanical loads upstream of the connector, e.g. by using cable ties.

Mounting

Assembly instructions	Contacts can be clipped in place and unclipped without tools The pin assignment can be rotated in a 30° pitch to the cable outlet
Connection method	Crimp connection


Product properties

Product type	Circular connector (cable-side)
Sensor type	Ethernet
Number of positions	8
Application	Data
No. of cable outlets	1
Shielded	yes
Coding	X
Cable outlet	angled

Insulation characteristics

Overvoltage category	II
Degree of pollution	3

Dimensions

Dimensional drawing	
Length	52 mm
Wrench size, union nut	15 mm
Wrench size, counter nut	14 mm

External dimensions

Outside diameter	6.5 mm ... 10 mm
------------------	------------------

SACC-M12MRX-8CT-CL SH - Data connector



1422845

<https://www.phoenixcontact.com/us/products/1422845>

Housing

Diameter housing	16 mm
------------------	-------

Material specifications

Flammability rating according to UL 94	V0
Seal material	FKM
Material of grip body	Zinc die-cast, nickel-plated
Contact carrier material	PA 6.6
Material for screw connection	Zinc die-cast, tin-plated
Standards/regulations	PA 6.6: Fire protection in rail vehicles - requirement sets R22, R23, R24, and R26 acc. to DIN EN 45545-2 (Risk level HL1 - HL3)

Connection data

Conductor connection

Connection method	Crimp connection
Connection cross section	0.14 mm ² ... 0.34 mm ² (flexible)
Connection cross section AWG	26 ... 22 (flexible)
Stripping length of the individual wire	4 mm +0,5 mm
Tightening torque	0.4 Nm (M12 knurl) 1.5 Nm (Screw plug insert with sleeve housing as far it will go) 4 Nm (Pressure nut with coupling sleeve)

Pin assignment

Contact Color (signal designation) Contact (optional)	1 = WHOG (D1+) 2 = OG (D1-) 3 = WHGN (D2+) 4 = GN (D2-) 5 = WHBN (D4+) 6 = BN (D4-) 7 = WHBU (D3-) 8 = BU (D3+)
---	--

Electrical properties

Rated surge voltage	0.8 kV
Insulation resistance	≥ 100 Ω
Nominal voltage U _N	48 V AC 60 V DC
Nominal current I _N	0.5 A

Mechanical properties

Mechanical data

Insertion/withdrawal cycles	≥ 100
-----------------------------	-------

SACC-M12MRX-8CT-CL SH - Data connector



1422845

<https://www.phoenixcontact.com/us/products/1422845>

Connector

Connection 1

Head design	Plug
Head cable outlet	angled
Head thread type	M12
Coding	X

Cable/line

Signal type/category	Ethernet CAT6 _A (IEC 11801), 10 Gbps PROFINET CAT6 _A (IEC 11801), 10 Gbps
Stripping length of the individual wire	4 mm +0,5 mm

Environmental and real-life conditions

Ambient conditions

Degree of protection	IP65 IP67
Ambient temperature (operation)	-40 °C ... 85 °C (Plug / socket)
Ambient temperature (assembly)	-5 °C ... 50 °C

Standards and regulations

Testing

Standards/regulations	PA 6.6: Fire protection in rail vehicles - requirement sets R22, R23, R24, and R26 acc. to DIN EN 45545-2 (Risk level HL1 - HL3)
-----------------------	--

M12

Standard designation	M12 connector
Standards/specifications	IEC 61076-2-109
Standard designation	Shock, vibration
Standards/specifications	EN 50155:2001

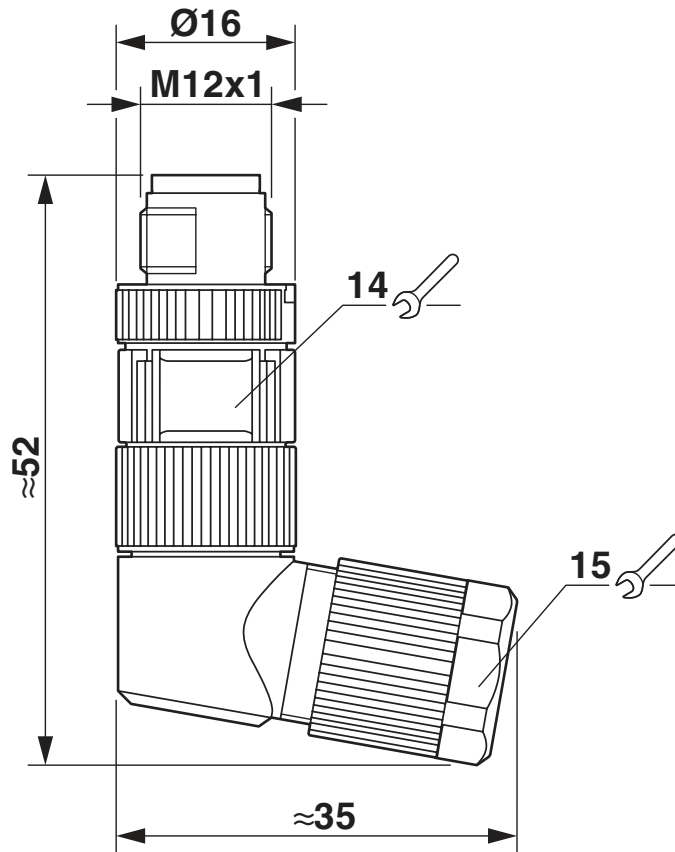
SACC-M12MRX-8CT-CL SH - Data connector

1422845

<https://www.phoenixcontact.com/us/products/1422845>



Dimensional drawing

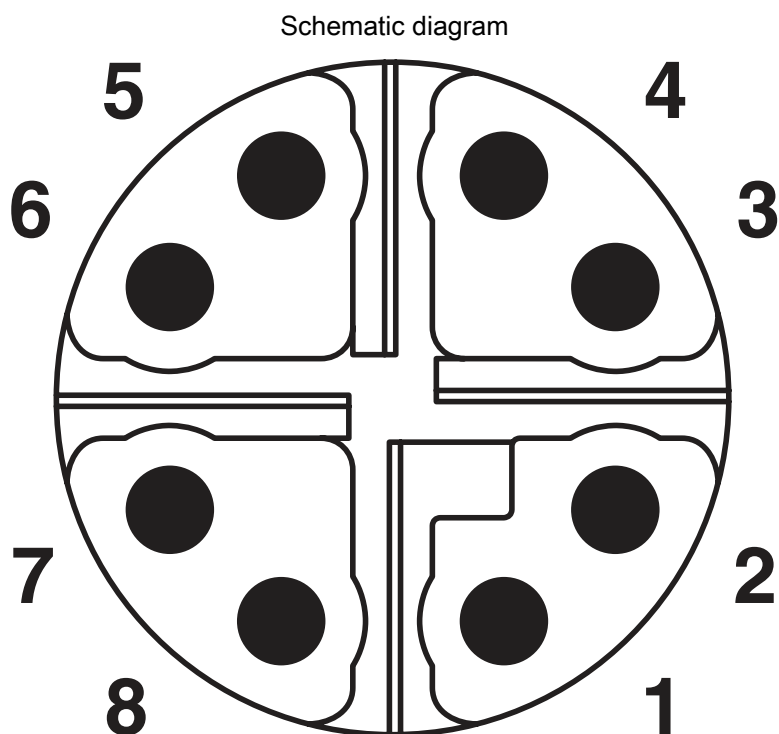


M12 x 1 male plug, angled, shielded

SACC-M12MRX-8CT-CL SH - Data connector

1422845

<https://www.phoenixcontact.com/us/products/1422845>



Pin assignment M12 plug, 8-pos., view plug side

SACC-M12MRX-8CT-CL SH - Data connector



1422845

<https://www.phoenixcontact.com/us/products/1422845>

Approvals

To download certificates, visit the product detail page: <https://www.phoenixcontact.com/us/products/1422845>



EAC

Approval ID: RU C-DE.BL08.B.00511



UL Listed

Approval ID: E335024-20120831



cUL Listed

Approval ID: E335024-20120831

cULus Listed

SACC-M12MRX-8CT-CL SH - Data connector



1422845

<https://www.phoenixcontact.com/us/products/1422845>

Classifications

ECLASS

ECLASS-11.0	27440102
ECLASS-12.0	27440116
ECLASS-13.0	27440116

ETIM

ETIM 8.0	EC002635
----------	----------

UNSPSC

UNSPSC 21.0	39121400
-------------	----------

SACC-M12MRX-8CT-CL SH - Data connector



1422845

<https://www.phoenixcontact.com/us/products/1422845>

Environmental product compliance

China RoHS	Environmentally friendly use period: unlimited = EFUP-e
	No hazardous substances above threshold values

SACC-M12MRX-8CT-CL SH - Data connector



1422845

<https://www.phoenixcontact.com/us/products/1422845>

Mandatory accessories

CC0,6-TS-0,34M AU - Crimp contact

1423643

<https://www.phoenixcontact.com/us/products/1423643>



Crimp contact, contact diameter: 0.6 mm, turned, Pin, contact material: CuZn, contact surface: Ni/Au, connection cross section: 0.14 mm² ... 0.34 mm², AWG 26 ... 22

Accessories

CC0,6-TS-0,34M AU - Crimp contact

1423643

<https://www.phoenixcontact.com/us/products/1423643>



Crimp contact, contact diameter: 0.6 mm, turned, Pin, contact material: CuZn, contact surface: Ni/Au, connection cross section: 0.14 mm² ... 0.34 mm², AWG 26 ... 22

SACC-M12MRX-8CT-CL SH - Data connector

1422845

<https://www.phoenixcontact.com/us/products/1422845>



NBC-100,0-94S - Data cable

1423514

<https://www.phoenixcontact.com/us/products/1423514>



Data cable, Ethernet CAT7 (10 Gbps), 8-position, cable length: 100 m

CRIMPFOX-TC MP - Crimping pliers with digital display

1212510

<https://www.phoenixcontact.com/us/products/1212510>



Crimping pliers, for turned contacts, universal cross section setting, up to a maximum of 2.5 mm², digital display with 0.01 mm increments, pressure lock can be unlocked, including positioning tool

SACC-M12MRX-8CT-CL SH - Data connector



1422845

<https://www.phoenixcontact.com/us/products/1422845>

MICROFOX-SB - Diagonal cutter

1212489

<https://www.phoenixcontact.com/us/products/1212489>



Electronic diagonal cutter, round head, without chamfer, with opening spring, mirror-polished and oiled, 2-component grip, cutting capacity: soft 0.2 - 2.0 mm; medium hard 1.2 mm; hard 0.5 mm diameter

WIREFOX-D 13 - Stripping tool

1212162

<https://www.phoenixcontact.com/us/products/1212162>



Stripping tool, for stripping installation lines of \varnothing 8 - 13 mm , e.g. NYM 3 x 1.5 mm² to 5 x 2.5 mm², single line stripping 0.2 mm² - 4 mm² , with longitudinal cut blade and sliding knife

SACC-M12MRX-8CT-CL SH - Data connector



1422845

<https://www.phoenixcontact.com/us/products/1422845>

WIREFOX SAC - Stripping tool

1212623

<https://www.phoenixcontact.com/us/products/1212623>



Stripping pliers, for halogen-free sensor/actuator cables (SAC cables), with PUR and PVC insulation, from Ø of 4.4 to 7 mm, any stripping length

TSD 04 SAC - Torque screwdriver

1208429

<https://www.phoenixcontact.com/us/products/1208429>



Torque screwdriver, with preset torque of 0.4 Nm and 4 mm hexagonal drive for M12 connectors

SACC-M12MRX-8CT-CL SH - Data connector



1422845

<https://www.phoenixcontact.com/us/products/1422845>

SAC BIT M12-D16 - Tool

1200305

<https://www.phoenixcontact.com/us/products/1200305>

Nut for assembling sensor/actuator cables with M12 connector and M12 connectors for assembly, knurl diameter: 16 mm, for 4 mm hexagonal drive



TSD-M 1,2NM - Torque screwdriver

1212224

<https://www.phoenixcontact.com/us/products/1212224>

Torque screw driver, accuracy as per EN ISO 6789 standard, adjustable from 0.3 - 1.2 Nm



SACC-M12MRX-8CT-CL SH - Data connector



1422845

<https://www.phoenixcontact.com/us/products/1422845>

TSD-M SAC-BIT ADAPTER - Adapter insert

1212600

<https://www.phoenixcontact.com/us/products/1212600>



Adapter bit for TSD-M...torque tools, E6.3-1/4" drive with 4 mm hexagon to accommodate SAC bits

Phoenix Contact 2023 © - all rights reserved

<https://www.phoenixcontact.com>

Phoenix Contact USA
586 Fulling Mill Road
Middletown, PA 17057, United States
(+717) 944-1300
info@phoenixcon.com