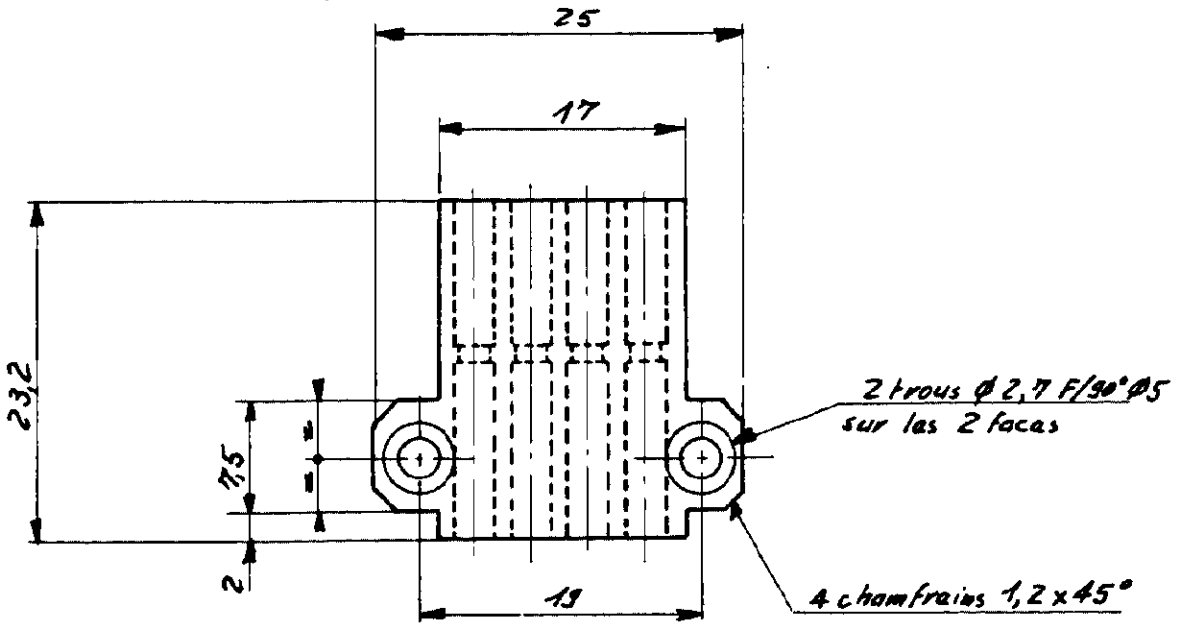
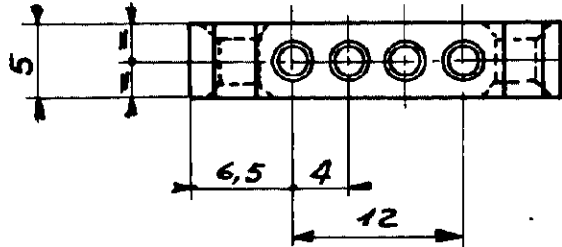


NUMBER
C-131098



2 trous $\phi 2,7 F/90^\circ \phi 5$
sur les 2 faces

4 chamfrais $1,2 \times 45^\circ$



DIMENSIONS IN MM DO NOT SCALE PRINT

© 19 BY AMP INCORPORATED. ALL RIGHTS RESERVED. AMP PRODUCTS COVERED BY PATENTS AND/OR PATENTS PENDING.

**CUSTOMER COPY
REFERENCE ONLY**

MATERIAL AND FINISH

Bakelite



AMP DE FRANCE SA.
PONTOISE

CLASS

WIRE — RANGE — INSULATION

— *—* *—*

TYPE

LTR REVISION RECORD DR CHK DATE

DR *MD* 3.II.65

DE

CHK *MB* 4.VI.65

APP

TOLERANCE EXCEPT AS NOTED
 ± 0.15 $\pm 1' 0''$

SCALE
2-1

CLASS
F

NO
A

C-131098

REV

NAME

BOITIER 4 VOIES