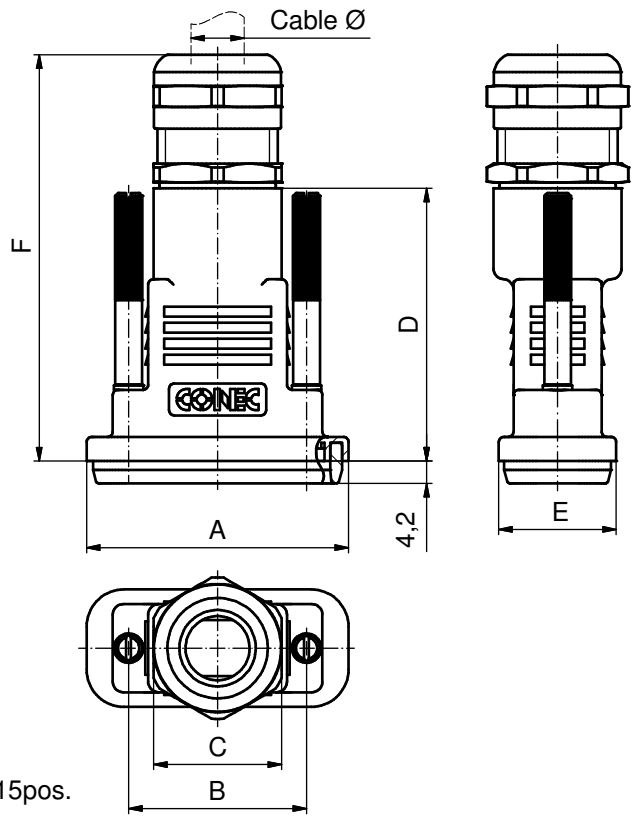
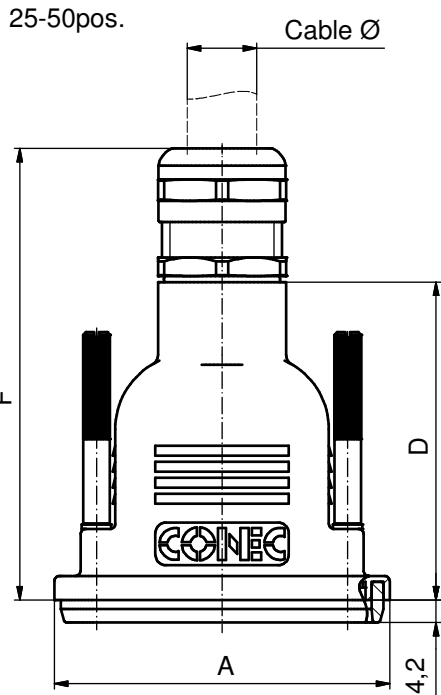


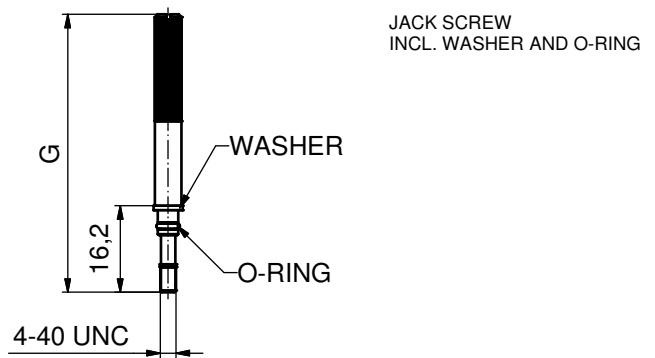
9pos.



15pos.

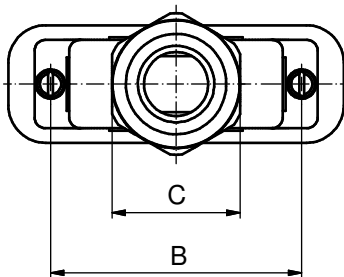


25-50pos.



JACK SCREW  
INCL. WASHER AND O-RING

- NOTES:**
- HOOD: ABS V0, METALLIZED  
TEMPERATURE RANGE -30°C TO +90°C
  - GLAND: BRASS; NICKEL PLATED  
TEMPERATURE RANGE -30°C TO +90°C
  - FRONTSEALING: TPE UL 94 V0  
TEMPERATURE RANGE -30°C TO +90°C
  - O-RING FOR GLAND: NBR  
TEMPERATURE RANGE -30°C TO +90°C
  - JACK SCREW: STAINLESS STEEL  
RECOMMENDED TORQUE: 30 Ncm
  - WASHER: STAINLESS STEEL
  - O-RING FOR JACK SCREW: NBR  
TEMPERATURE RANGE -30°C TO +90°C



Shell-size	A	B	C	D	E	F	G	Cable Ø	RECOMMENDED TORQUE FOR PG-GLAND (d)	Part No. Bulk package	Part No. Single package (c)
1	40.76	25.0	SW 20	51.0	22.0	77.0	44.0	5 - 10	3,0 Nm	165X15019X	165X15019XE
2	49.06	33.3	SW 24	51.0	22.0	79.0	52.0	7 - 12	6,0 Nm	165X15029X	165X15029XE
3	62.80	47.04	SW 24	59.5	22.0	87.5	52.0	7 - 12	6,0 Nm	165X15039X	165X15039XE
4	78.86	63.5	SW 30	67.0	22.0	99.0	52.0	9 - 16	8,0 Nm	165X15049X	165X15049XE
5	76.46	61.1	SW 40	67.0	24.8	107.0	52.0	13 - 20	10,0 Nm	165X15059X	165X15059XE

Directive 2002/95/EC RoHS compliant

THIS DRAWING MAY NOT BE COPIED OR REPRODUCED IN ANY WAY, AND MAY NOT BE PASSED ON TO A THIRD PARTY WITHOUT WRITTEN PERMISSION. OWNERSHIP AND COPYRIGHT OF CONEC GmbH DO NOT ALTER CAD DRAWING BY HAND	tolerance			dim. in mm		scale: 1:1	
						material: SEE NOTES	
				date	name	title:	
				drawn	03.03.04	Lehmenkühler	
				appd.	03.03.04	Mickenbecker	
1 x d	Ä4221	14.02.2012	K.H.	norm	<b>WATER RESISTANT D-SUB HOOD</b> 9-50pos. with jack screws		
2 x c	Ä3781	21.10.2010	K.H.	d-old			
2 x b	Ä3353	29.04.2009	Lehmen				
a	Original					dwg no:	DIN-A3
rev.	description	date	name			16K1A1115	sh: 1
						part no:	SEE TABLE