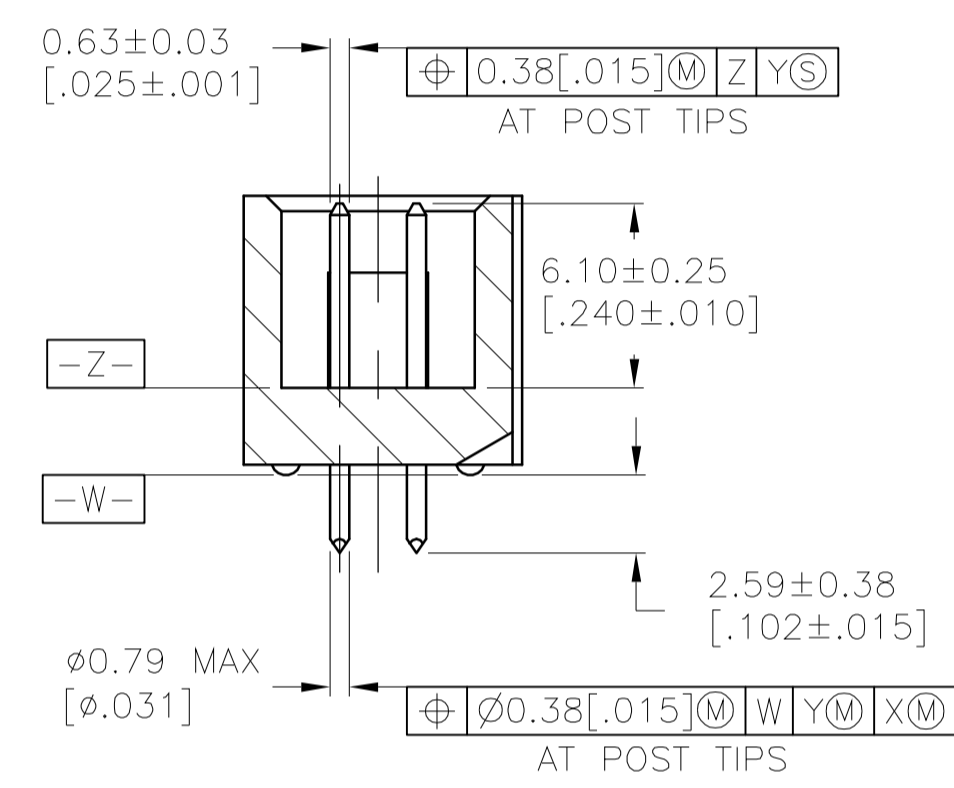
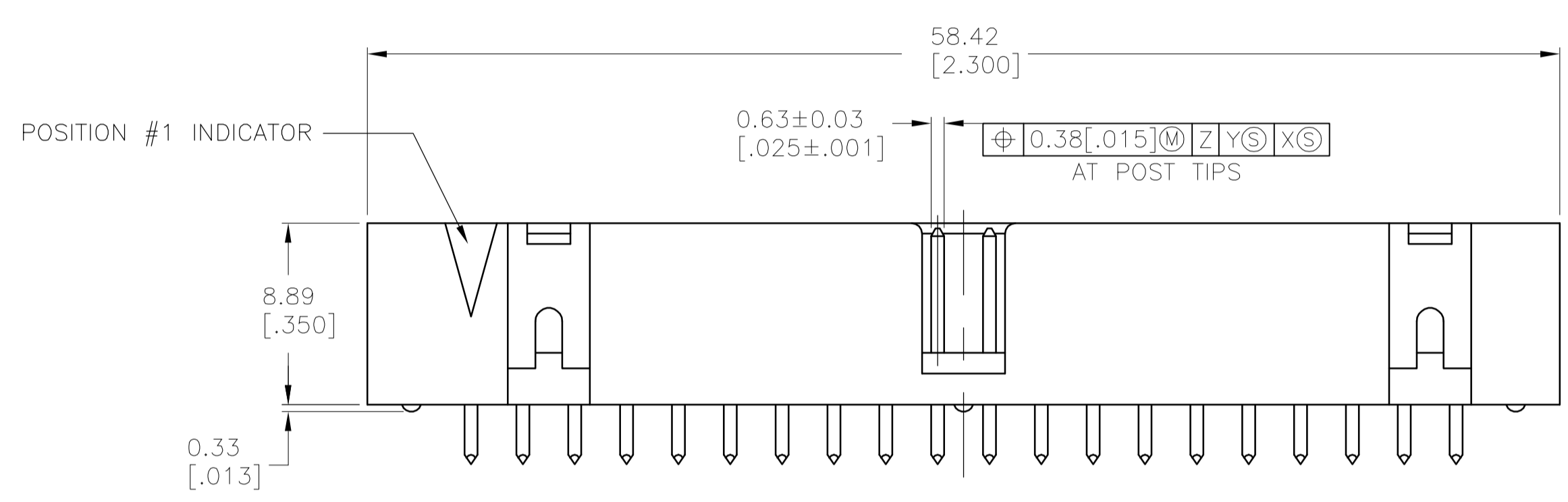
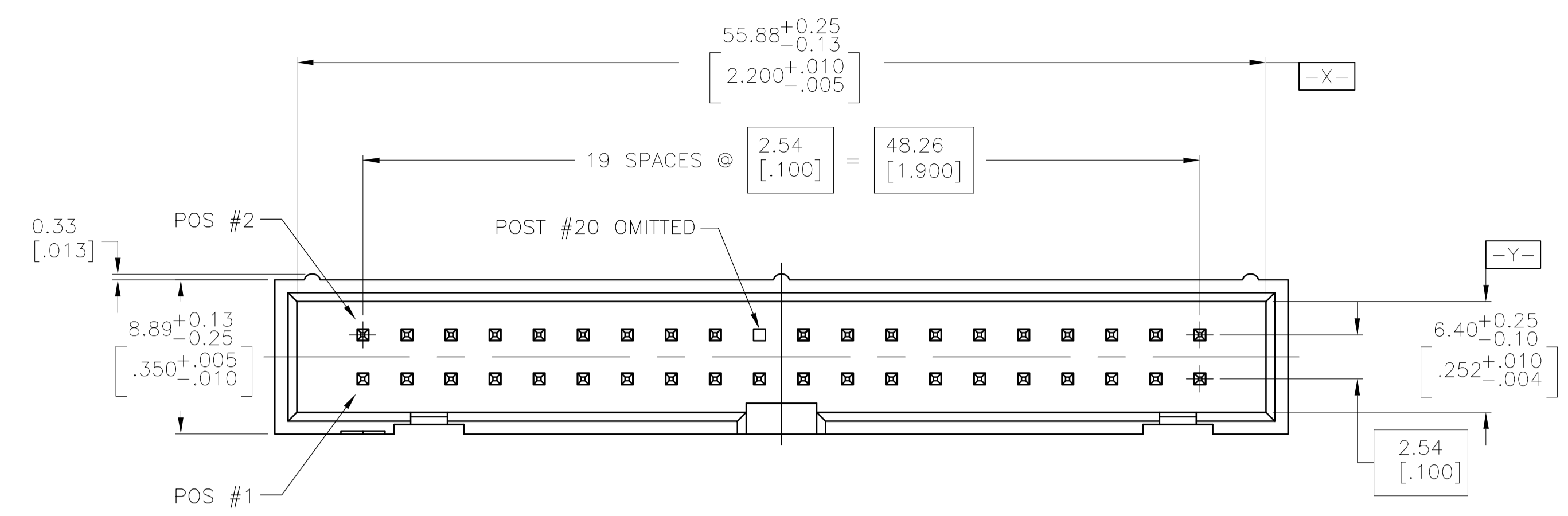
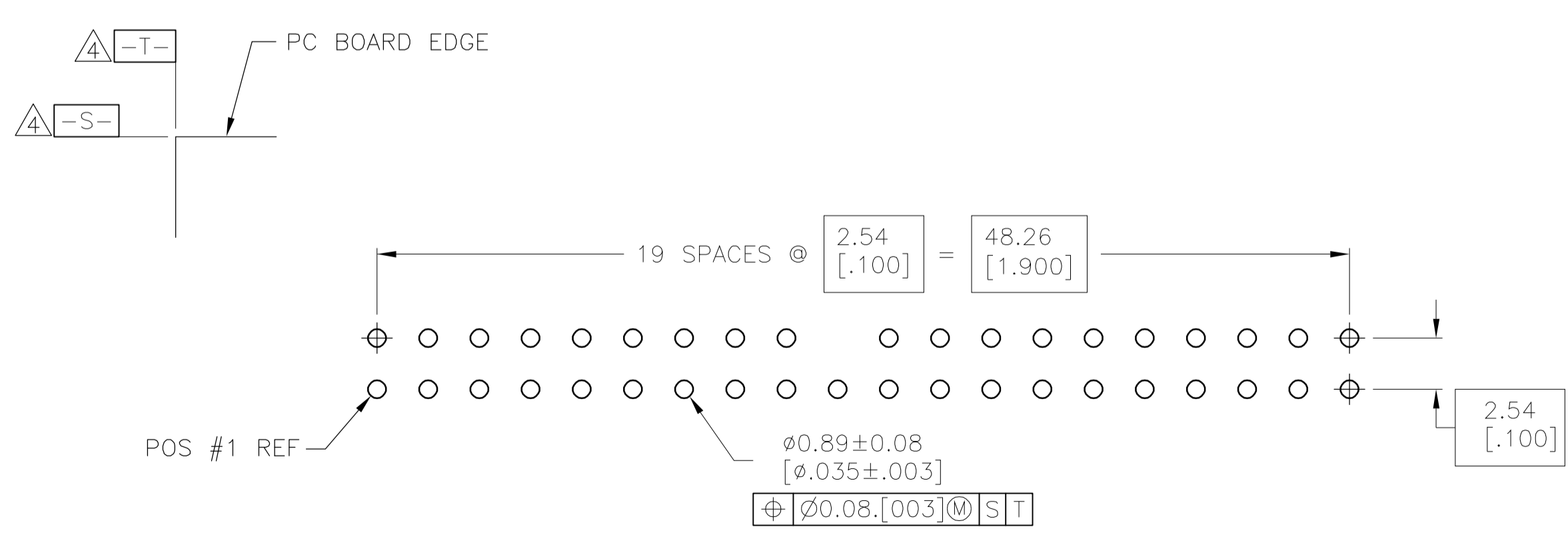


LOC		DIST		REVISIONS			
GP	00	REV	DATE	BY	APP'D		
C			12SEP06	JDP	SLB		



- △ HOUSING: PBT, UL94V-0, COLOR BLACK.
- POSTS: PHOSPHOR BRONZE.
- △ GOLD FLASH ON MATING AREA, 0.00254[.000100] MIN TIN ON SOLDER END, ALL OVER 0.00127[.000050] MIN NICKEL ON ENTIRE POST.
- △ 0.00038[.000015] MIN GOLD ON MATING AREA, 0.00254[.000100] MIN TIN ON SOLDER END, ALL OVER 0.00127[.000050] MIN NICKEL ON ENTIRE POST.
- △ DATUMS S & T TO BE ESTABLISHED BY CUSTOMER.



RECOMMENDED PC BOARD LAYOUT  
(VIEWED FROM CONNECTOR SIDE)

OBSELETE	△	1761633-2
	△	1761633-1
		PART NUMBER

THIS DRAWING IS A CONTROLLED DOCUMENT.		DIN J.GERACE 26APROS	Tyco Electronics Corporation	
DIMENSIONS: mm [INCHES]		CHK S.BOLASH 26APROS	Harrisburg, PA 17105-3608	
TOLERANCES UNLESS OTHERWISE SPECIFIED:		APP'D M.WALMSLEY 26APROS	NAME	
0 PLG ± -		PRODUCT SPEC		
1 PLG ± -		APPLICATION SPEC		
2 PLG ± -		SIZE		
3 PLG ± 0.13[.005]		CAGE CODE		
4 PLG ± -		DRAWING NO		
ANGLES ± -		RESTRICTED TO		
MATERIAL	FINISH	WEIGHT	A1 00779 C=1761633	
	POSTS: SEE TABLE		CUSTOMER DRAWING	
		SCALE	SHEET	REV
		4:1	1 OF 1	C