

1-1437719-5 ✓ ACTIVE



[Triad 01 Cable Plug](#), [Triad 01 Solder](#)

TE Internal #: 1-1437719-5

Standard Circular Connectors, Cable-to-Cable, 3 Position, Sealable, Wire & Cable, Signal, Reverse Gender, Nickel, CuZn, PBT, Triad 01 Cable Plug

[View on TE.com >](#)

Connectors > Circular Connectors > Standard Circular Connectors



Connector System: **Cable-to-Cable**

Number of Positions: **3**

Sealable: **Yes**

Connector & Contact Terminates To: **Wire & Cable**

Contact Current Rating (Max): **3 A**

Features

Product Type Features

Product Type	Connector Assembly
Prewired	No
Connector System	Cable-to-Cable
Sealable	Yes
Connector & Contact Terminates To	Wire & Cable
Circular Connector Type	Plug
Shell Type	Metal

Configuration Features

Number of Positions	3
Number of Power Positions	0
Number of Signal Positions	3
Contacts Preloaded	Yes

Electrical Characteristics

Operating Voltage	60 VAC
-------------------	--------



Body Features

Environmental Protection Type	Sealed
Shell Plating Material	Nickel
Shell Base Material	CuZn
Circular Connector Insulation Material Type	PBT
Hermetically Sealed	No

Contact Features

Contact Current Rating (Max)	3 A
Reverse Gender	Yes
Contact Layout Arrangement	Circular
Circular Connector Contact Type	Pin

Mechanical Attachment

Mating Retention	With
------------------	------

Dimensions

Assembly Length	40 mm
Wire Size	.25 mm ²

Usage Conditions

Operating Temperature Range	-40 – 80 °C[-40 – 176 °F]
-----------------------------	---------------------------

Operation/Application

Circuit Application	Signal
Shielded	No

Industry Standards

UL Flammability Rating	UL 94V-2
------------------------	----------

Packaging Features

Packaging Quantity	25
--------------------	----

Product Compliance

[For compliance documentation, visit the product page on TE.com>](#)

EU RoHS Directive 2011/65/EU	Compliant with Exemptions
EU ELV Directive 2000/53/EC	Compliant
China RoHS 2 Directive MIIT Order No 32, 2016	Restricted Materials Above Threshold



EU REACH Regulation (EC) No. 1907/2006

Current ECHA Candidate List: JUNE 2023 (235)

Candidate List Declared Against: JUNE 2023 (235)

SVHC > Threshold:

Pb (4% in Component Part)

Article Safe Usage Statements:

Do not eat, drink or smoke when using this product. Wash thoroughly after handling. Recycle if possible and dispose of the article by following all applicable governmental regulations relevant to your geographic location.

Halogen Content

Low Halogen - Br, Cl, F, I < 900 ppm per homogenous material. Also BFR/CFR/PVC Free

Solder Process Capability

Hand solderable with lead free solder

Product Compliance Disclaimer

This information is provided based on reasonable inquiry of our suppliers and represents our current actual knowledge based on the information they provided. This information is subject to change. The part numbers that TE has identified as EU RoHS compliant have a maximum concentration of 0.1% by weight in homogenous materials for lead, hexavalent chromium, mercury, PBB, PBDE, DBP, BBP, DEHP, DIBP, and 0.01% for cadmium, or qualify for an exemption to these limits as defined in the Annexes of Directive 2011/65/EU (RoHS2). Finished electrical and electronic equipment products will be CE marked as required by Directive 2011/65/EU. Components may not be CE marked. Additionally, the part numbers that TE has identified as EU ELV compliant have a maximum concentration of 0.1% by weight in homogenous materials for lead, hexavalent chromium, and mercury, and 0.01% for cadmium, or qualify for an exemption to these limits as defined in the Annexes of Directive 2000/53/EC (ELV). Regarding the REACH Regulation, the information TE provides on SVHC in articles for this part number is based on the latest European Chemicals Agency (ECHA) 'Guidance on requirements for substances in articles' posted at this URL: <https://echa.europa.eu/guidance-documents/guidance-on-reach>

Compatible Parts



TE Part # 5-1437719-4
T01-0560-S03-FEMALE REC PANEL-PCB MNT RA



TE Part # 6-1437719-6
T01-0570-S03-FEMALE REC PANEL-PCB STRT




TE Part # 3-1437719-0
T01-0550-S03-FEMALE PLUG CONNECTOR SOLDE



TE Part # 9-1437719-6
T01-0580-S03-FEMALE REC PANEL MNT SOLDER

Also in the Series | Triad 01 Cable Plug



Standard Circular Connectors(14)

Also in the Series | [Triad 01 Solder](#)



Standard Circular Connectors(10)

Customers Also Bought



TE Part #1676456-2
RN 0805 8K25 0.1% 10PPM 1KRL



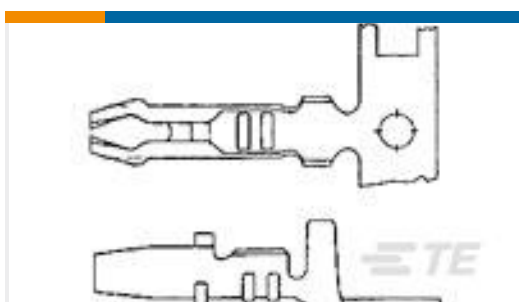
TE Part #1676322-2
RN 0805 3K01 0.1% 10PPM 1KRL



TE Part #1614914-2
CPF0805 2K0 0.1% 25PPM 1K RL




TE Part #2132230-6
EP2.5 Shrouded HDR ASSY 6P VER




TE Part #170072-1
AMP-IN 24-20 AWG



TE Part #341002-1
PL 250 REC TERMINAL 18-14 AWG BR LP



TE Part #2332956-1
LBF-A41150C



TE Part #2345552-1
10096647

Documents

Product Drawings

[T01-0550-P03-MALE PLUG CONNECTOR SOLDER](#)

English

CAD Files

Customer View Model

[ENG_CVM_CVM_1-1437719-5_B.2d_dxf.zip](#)

English

3D PDF

3D

Customer View Model

[ENG_CVM_CVM_1-1437719-5_B.3d_igs.zip](#)

English

Customer View Model

[ENG_CVM_CVM_1-1437719-5_B.3d_stp.zip](#)



English

By downloading the CAD file I accept and agree to the [Terms and Conditions](#) of use.

Datasheets & Catalog Pages

[M8 / M12 Connector System Catalog](#)

English

[M8 / M12 Connector System Catalog](#)

Japanese

Product Specifications

[Product Specification](#)

English