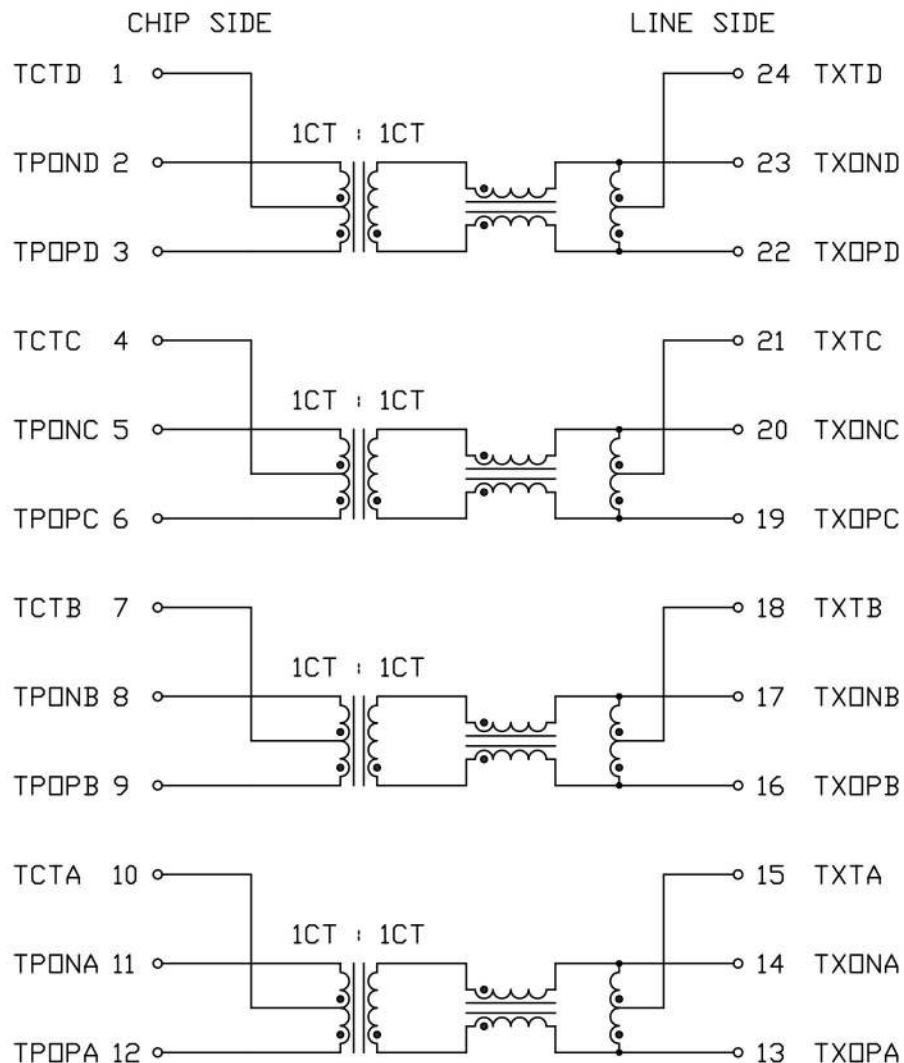


THE INFORMATION CONTAINED HEREIN IS CONSIDERED 'PROPRIETARY' TO BEL FUSE INC. AND SHALL NOT BE COPIED, REPRODUCED OR DISCLOSED WITHOUT THE WRITTEN APPROVAL OF BEL FUSE INC.

RoHS



SCHEMATIC



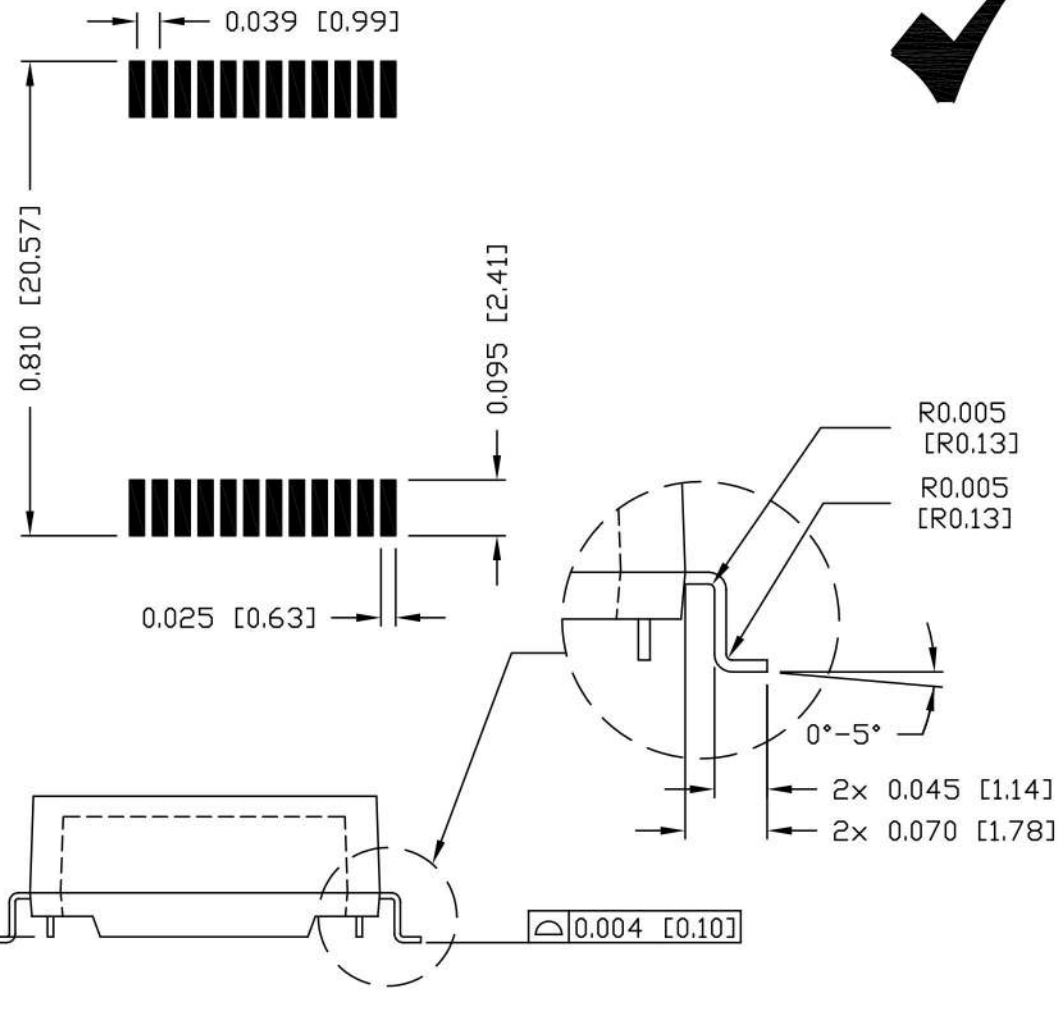
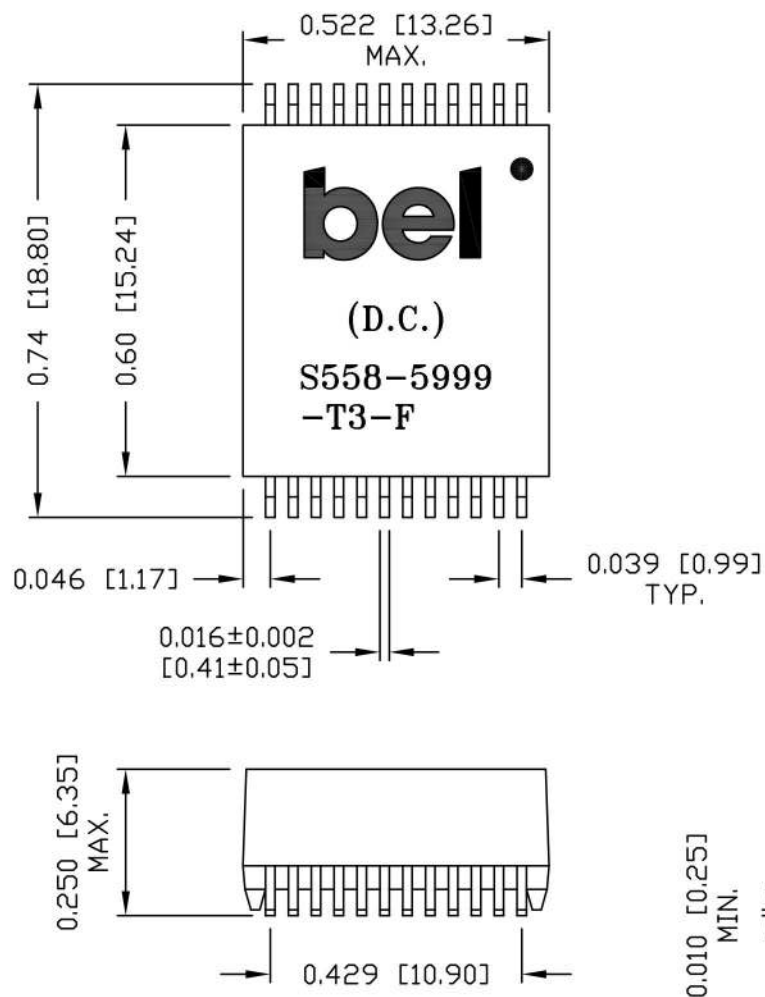
ELECTRICAL CHARACTERISTICS @25°C

<p>URNS RATIO (3-1-2) : (22-24-23) (6-4-5) : (19-21-20) (9-7-8) : (16-18-17) (12-10-11) : (13-15-14)</p>	<p>1CT : 1CT 1CT : 1CT 1CT : 1CT 1CT : 1CT</p>
<p>HASE PER DOT CONVENTION</p>	
<p>CL PIN (23-22), (20-19) PIN (17-16), (14-13)</p>	<p>350μH MIN. @100kHz, 100mV WITH 8mA DC BIAS</p>
<p>INSERTION LOSS</p>	<p>1.1dB MAX. @0.1 TO 1MHz 1.0dB MAX. @1 TO 80MHz 2.0dB MAX. @125MHz</p>
<p>RETURN LOSS UNDER 100 OHM ±15% ENVIRONMENT</p>	<p>18dB MIN. @0.5 TO 40MHz 12-20LOG (f/80MHz) MIN. @40 TO 100 MHz</p>
<p>COMMON TO COMMON REJECTION</p>	<p>30dB MIN. @1 TO 100 MHz</p>
<p>CROSSTALK</p>	<p>33-20LOG (f/100MHz) dB MIN. @ 1 TO 100 MHz</p>
<p>HIPOT</p>	<p>PER HAND-WORK-03</p>

<p>ORIGINATED BY DATE</p> <p>Alice Pang 2015-10-28</p>		<p>TITLE</p> <p>ELECTRICAL SPECIFICATION</p> <p>S558-5999-T3-F</p>	<p>PART NO. / DRAWING NO.</p> <p>X5585999T3-F</p>		<p>STANDARD DIM. [] METRIC DIM. AS REF.</p> <p>TOL. IN INCH</p>		<p>REV. : B PAGE : 2</p>	
<p>DRAWN BY DATE</p> <p>ZC Guo 2015-10-28</p>			<p>FILE NAME</p> <p>X5585999T3FB.DWG</p>		<p>UNIT : INCH [mm]</p> <p>SCALE : N/A</p>			
					<p>.X /</p> <p>.XX /</p> <p>.XXX /</p>			

THE INFORMATION CONTAINED HEREIN IS CONSIDERED "PROPRIETARY" TO BEL FUSE INC. AND SHALL NOT BE COPIED, REPRODUCED OR DISCLOSED WITHOUT THE WRITTEN APPROVAL OF BEL FUSE INC.

SUGGESTED PCB PAD LAYOUT



NOTES:

1. STANDARD MARKING REFER TO DOC. HAND-WORK-04.
2. PACKAGE CODE: "QTS001".

REV. : B	PAGE : 3

ORIGINATED BY Lawrence Tsang	DATE 2015-10-28	TITLE MECHANICAL DRAWING S558-5999-T3-F	PART NO. / DRAWING NO. X5585999T3-F	STANDARD DIM. TOL. IN INCH	[] METRIC DIM. AS REF.
DRAWN BY ZC Guo	DATE 2015-10-28		FILE NAME X5585999T3FB.DWG	.X .XX ±0.01 .XXX ±0.005	UNIT : INCH [mm] SCALE : N/A SIZE : A4