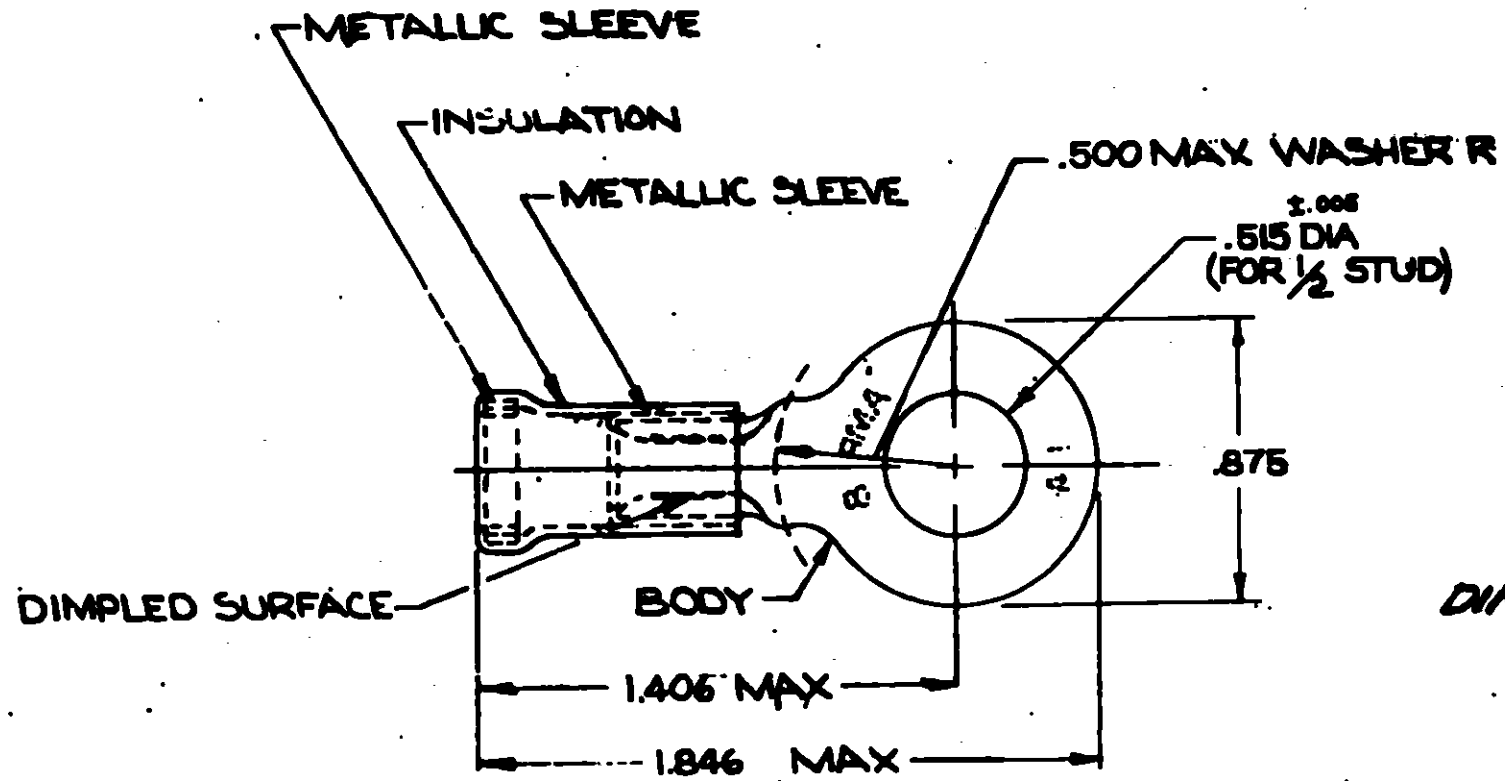


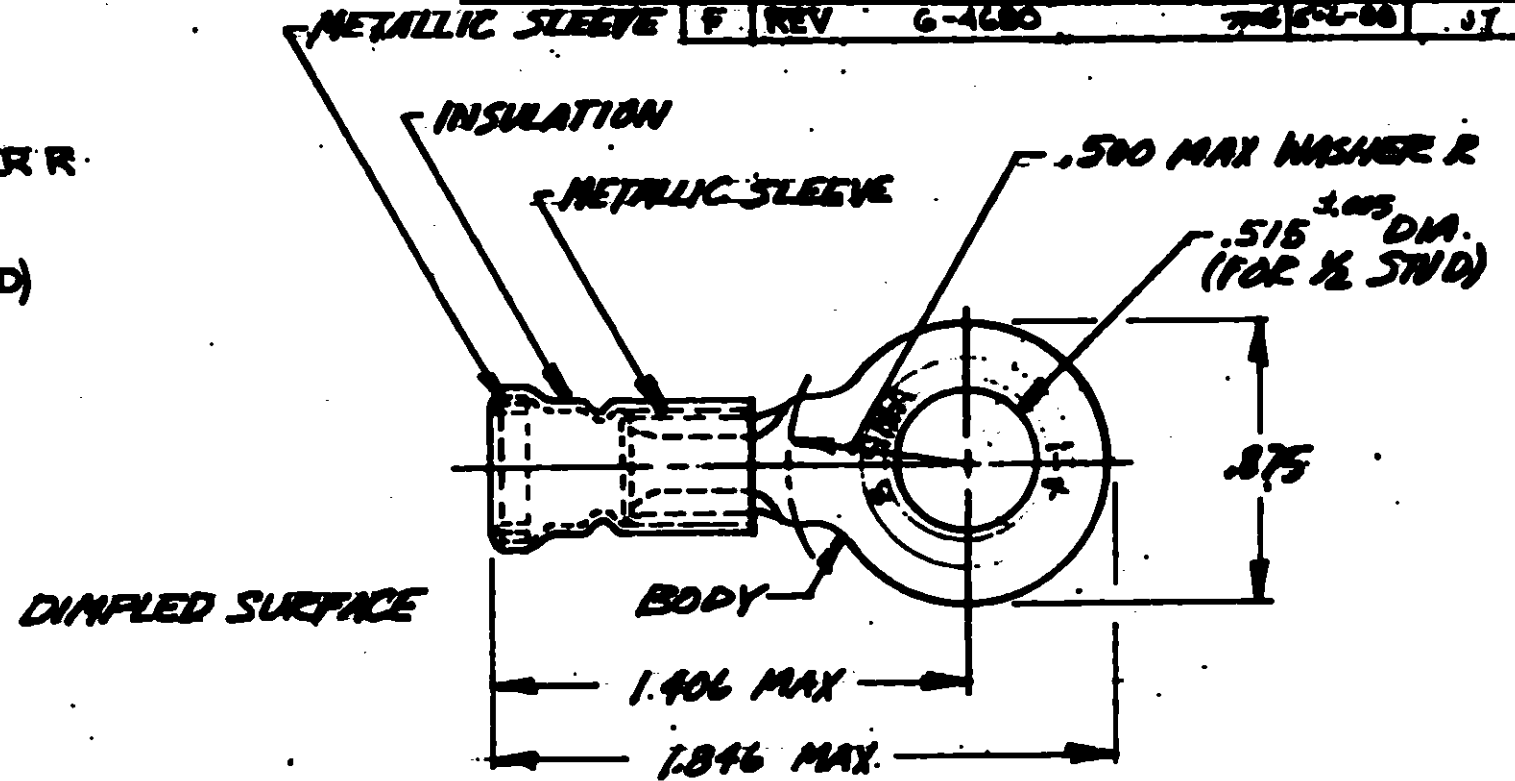
© 1969 BY AMP INCORPORATED. ALL RIGHTS RESERVED. AMP PRODUCTS COVERED BY PATENTS AND OR PATENTS PENDING.

REVISIONS				
ZONE	LTR	DESCRIPTION	DATE	APPROVED
	C	REDRAWN & REVISED PER 8243	1-6-70	Chan
	D	REV. PER P-8347	2-28-70	JM
	E	QES 2-1 / G-2109	3-25-70	
	F	REV 6-4680	7-25-80	JT



STYLE 1

TONGUE MATERIAL THICKNESS = .040 ±.003  
FOR 'A' MAX WIRE INS DIA



STYLE 2

TABLE I

1	WIRE TERMINAL	SEE TABLE II	BODY: COPPER (QQ-C-576)
			TIN PL (MIL-T-10727)
			INSULATION: PVC COLOR: RED
			METALLIC SLEEVE: COPPER (QQ-C-576)
			METALLIC BAND: STEEL (QQ-S-698) (ASTM A193)
QTY	DESCRIPTION	PART NO.	MATERIAL & FINISH
UNLESS OTHERWISE SPECIFIED DIMENSIONS ARE IN INCHES TOLERANCES ON: DECIMALS ±.008 ANGLES ± 30°			CONTRACT NO. →
MATERIAL			DR. Wayne M. Miller 11-14-69
SEE TABLE I			CR. M. Eschminger 1-6-70
			APP. J. Walsh 1-7-70
			DR. M. Eschminger 1-7-70
			DEGN APP. J. Walsh
			STRIP 200
		AMP	AMP INCORPORATED HARRISBURG, PENNSYLVANIA
		NAME	WIRE TERMINAL AMPLI-BOND-RING TONGUE WIRE SIZE: 8
SIZE	CODE IDENT NO.	NUMBER	
B	00779	328463	
SCALE	NTS	SHEET	1 OF 1

TABLE II

328460	377	1	OBSOLETE
328463	298	2	
PART NO.	'A'	STYLE	