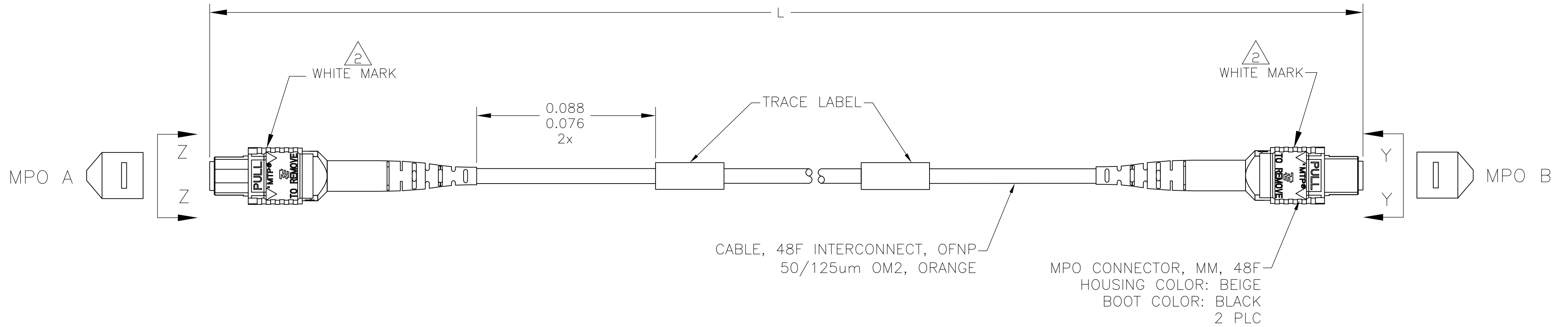


THIS DRAWING IS UNPUBLISHED. RELEASED FOR PUBLICATION  
 © COPYRIGHT - By - ALL RIGHTS RESERVED.

LOC	DIST	REVISIONS			
P	LTR	DESCRIPTION	DATE	DWN	APVD
HG	-				
	A	NEW RELEASE	27JUN2011	KZ	RZ



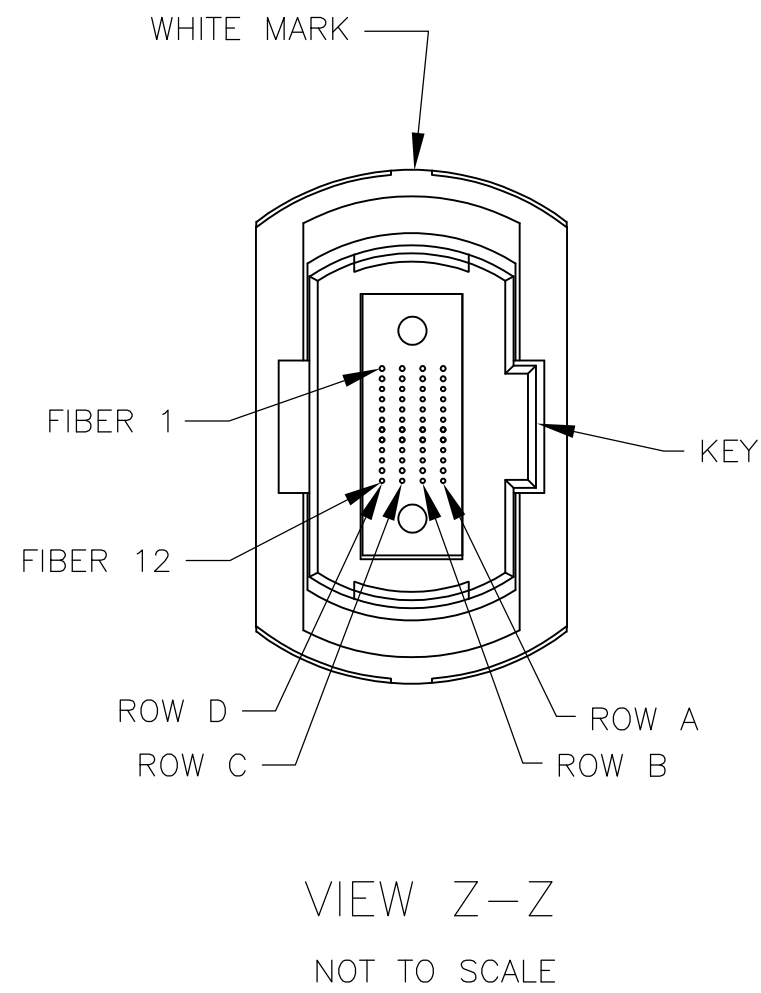
1. ASSEMBLY LOSS NOT TO EXCEED 2.0dB AT 850nm.
2. WHITE MARK ON CONNECTOR HOUSING INDICATES FIBER 1 SIDE.
3. PRODUCT AND PROCESSING MUST MEET REQUIREMENTS OF TEC-138-702.

THIS DRAWING IS A CONTROLLED DOCUMENT.		DWN KIM ZHANG 27JUN2011																				
DIMENSIONS: METERS		CHK PHILIP LIU 27JUN2011																				
TOLERANCES UNLESS OTHERWISE SPECIFIED:		APVD RICHARD ZHAO 27JUN2011	NAME CABLE ASSEMBLY, FIBER OPTIC, 50/125um OM2 48 FIBER, INTERCONNECT CABLE MPO, NO PINS, BOTH ENDS																			
<table border="1"> <tr><td>0 PLC</td><td>±</td><td>-</td></tr> <tr><td>1 PLC</td><td>±</td><td>-</td></tr> <tr><td>2 PLC</td><td>±</td><td>-</td></tr> <tr><td>3 PLC</td><td>±</td><td>-</td></tr> <tr><td>4 PLC</td><td>±</td><td>-</td></tr> <tr><td>ANGLES</td><td>±</td><td>-</td></tr> </table>		0 PLC	±	-	1 PLC	±	-	2 PLC	±	-	3 PLC	±	-	4 PLC	±	-	ANGLES	±	-	PRODUCT SPEC -	SIZE A2	CAGE CODE 00779
0 PLC	±	-																				
1 PLC	±	-																				
2 PLC	±	-																				
3 PLC	±	-																				
4 PLC	±	-																				
ANGLES	±	-																				
MATERIAL		FINISH -	DRAWING NO C=2148451	RESTRICTED TO -																		
		WEIGHT -	SCALE NTS																			
		CUSTOMER DRAWING		SHEET 1 of 2																		
				REV A																		

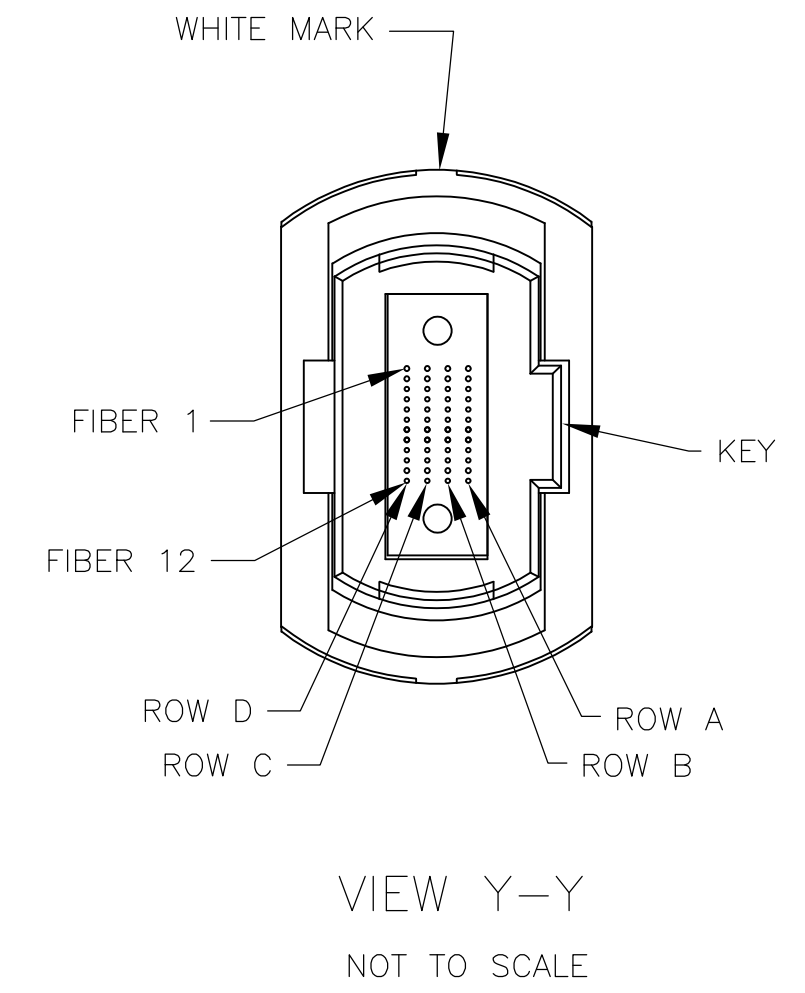
THIS DRAWING IS UNPUBLISHED. RELEASED FOR PUBLICATION  
 © COPYRIGHT - By - ALL RIGHTS RESERVED.

LOC		DIST		REVISIONS			
P	LTR	DESCRIPTION	DATE	DWN	APVD		
CE	00	SEE SHEET 1	-	-	-		

PART NUMBER	L	
	MAX	MIN
2148451-1	1.050	0.950
2148451-2	2.050	1.950
2148451-3	3.050	2.950
2148451-4	4.080	3.920
2148451-5	5.080	4.920
2148451-6	6.080	5.920
2148451-7	7.080	6.920
2148451-8	8.080	7.920
2148451-9	9.150	8.850
1-2148451-0	10.150	9.850
1-2148451-1	11.150	10.850
1-2148451-2	12.150	11.850
1-2148451-3	13.150	12.850
1-2148451-4	14.150	13.850
1-2148451-5	15.150	14.850
1-2148451-6	16.160	15.840
1-2148451-7	17.170	16.830
1-2148451-8	18.180	17.820
1-2148451-9	19.190	18.810
2-2148451-0	20.200	19.800
2-2148451-1	21.210	20.790
2-2148451-2	22.220	21.780
2-2148451-3	23.230	22.770
2-2148451-4	24.240	23.760
2-2148451-5	25.250	24.750
2-2148451-6	26.260	25.740
2-2148451-7	27.270	26.730
2-2148451-8	28.280	27.720
2-2148451-9	29.290	28.710
3-2148451-0	30.300	29.700
3-2148451-1	31.310	30.690
3-2148451-2	32.320	31.680
3-2148451-3	33.330	32.670
3-2148451-4	34.340	33.660
3-2148451-5	35.350	34.650
3-2148451-6	36.360	35.640
3-2148451-7	37.370	36.630
3-2148451-8	38.380	37.620
3-2148451-9	39.390	38.610
4-2148451-0	40.400	39.600
4-2148451-1	41.410	40.590
4-2148451-2	42.420	41.580
4-2148451-3	43.430	42.570
4-2148451-4	44.440	43.560
4-2148451-5	45.450	44.550
4-2148451-6	46.460	45.540
4-2148451-7	47.470	46.530
4-2148451-8	48.480	47.520
4-2148451-9	49.490	48.510
5-2148451-0	50.500	49.500
5-2148451-5	55.550	54.450
6-2148451-0	60.600	59.400
6-2148451-5	65.650	64.350
7-2148451-0	70.700	69.300
7-2148451-5	75.750	74.250
8-2148451-0	80.800	79.200
8-2148451-5	86.000	84.000
9-2148451-0	91.350	88.650
9-2148451-5	96.425	94.575
9-2148451-9	101.500	98.500



MPO A ROW	FIBER	FIBER COLOR	MPO B ROW	FIBER
A	1	BLUE	D	1
A	2	ORANGE	D	2
A	3	GREEN	D	3
A	4	BROWN	D	4
A	5	SLATE	D	5
A	6	WHITE	D	6
A	7	RED	D	7
A	8	BLACK	D	8
A	9	YELLOW	D	9
A	10	VIOLET	D	10
A	11	ROSE	D	11
A	12	AQUA	D	12
B	1	BLUE	C	1
B	2	ORANGE	C	2
B	3	GREEN	C	3
B	4	BROWN	C	4
B	5	SLATE	C	5
B	6	WHITE	C	6
B	7	RED	C	7
B	8	BLACK	C	8
B	9	YELLOW	C	9
B	10	VIOLET	C	10
B	11	ROSE	C	11
B	12	AQUA	C	12
C	1	BLUE	B	1
C	2	ORANGE	B	2
C	3	GREEN	B	3
C	4	BROWN	B	4
C	5	SLATE	B	5
C	6	WHITE	B	6
C	7	RED	B	7
C	8	BLACK	B	8
C	9	YELLOW	B	9
C	10	VIOLET	B	10
C	11	ROSE	B	11
C	12	AQUA	B	12
D	1	BLUE	A	1
D	2	ORANGE	A	2
D	3	GREEN	A	3
D	4	BROWN	A	4
D	5	SLATE	A	5
D	6	WHITE	A	6
D	7	RED	A	7
D	8	BLACK	A	8
D	9	YELLOW	A	9
D	10	VIOLET	A	10
D	11	ROSE	A	11
D	12	AQUA	A	12



CONNECTOR FIBER PATH

THIS DRAWING IS A CONTROLLED DOCUMENT.		DWN KIM ZHANG 27JUN2011	TE Connectivity																					
DIMENSIONS: METERS		CHK PHILIP LIU 27JUN2011																						
TOLERANCES UNLESS OTHERWISE SPECIFIED:		APVD RICHARD ZHAO 27JUN2011	NAME CABLE ASSEMBLY, FIBER OPTIC, 50/125um OM2 48 FIBER, INTERCONNECT CABLE MPO, NO PINS, BOTH ENDS																					
<table border="1"> <tr><td>0 PLC</td><td>±</td><td>-</td></tr> <tr><td>1 PLC</td><td>±</td><td>-</td></tr> <tr><td>2 PLC</td><td>±</td><td>-</td></tr> <tr><td>3 PLC</td><td>±</td><td>-</td></tr> <tr><td>4 PLC</td><td>±</td><td>-</td></tr> <tr><td>ANGLES</td><td>±</td><td>-</td></tr> </table>		0 PLC	±	-	1 PLC	±	-	2 PLC	±	-	3 PLC	±	-	4 PLC	±	-	ANGLES	±	-	PRODUCT SPEC	SIZE A2	CAGE CODE 00779	DRAWING NO C=2148451	RESTRICTED TO -
0 PLC	±	-																						
1 PLC	±	-																						
2 PLC	±	-																						
3 PLC	±	-																						
4 PLC	±	-																						
ANGLES	±	-																						
MATERIAL		FINISH	SCALE NTS		SHEET 2 OF 2	REV A																		
CUSTOMER DRAWING																								