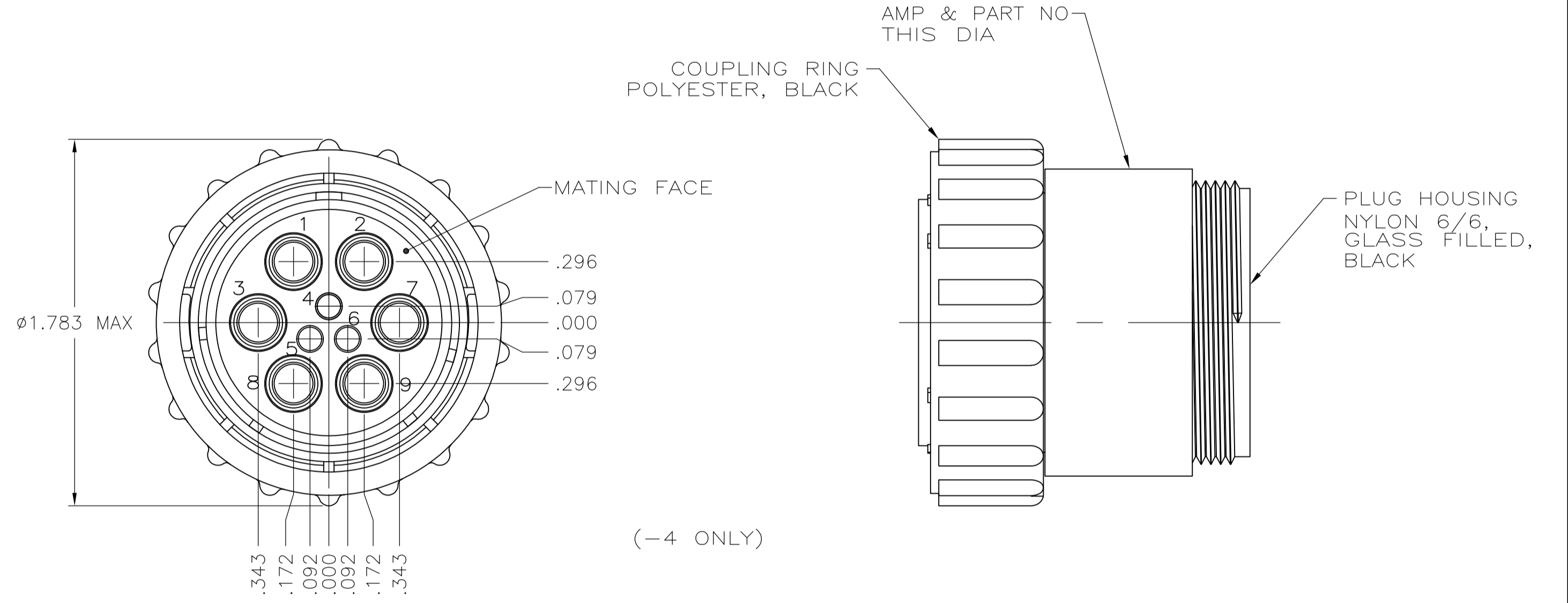
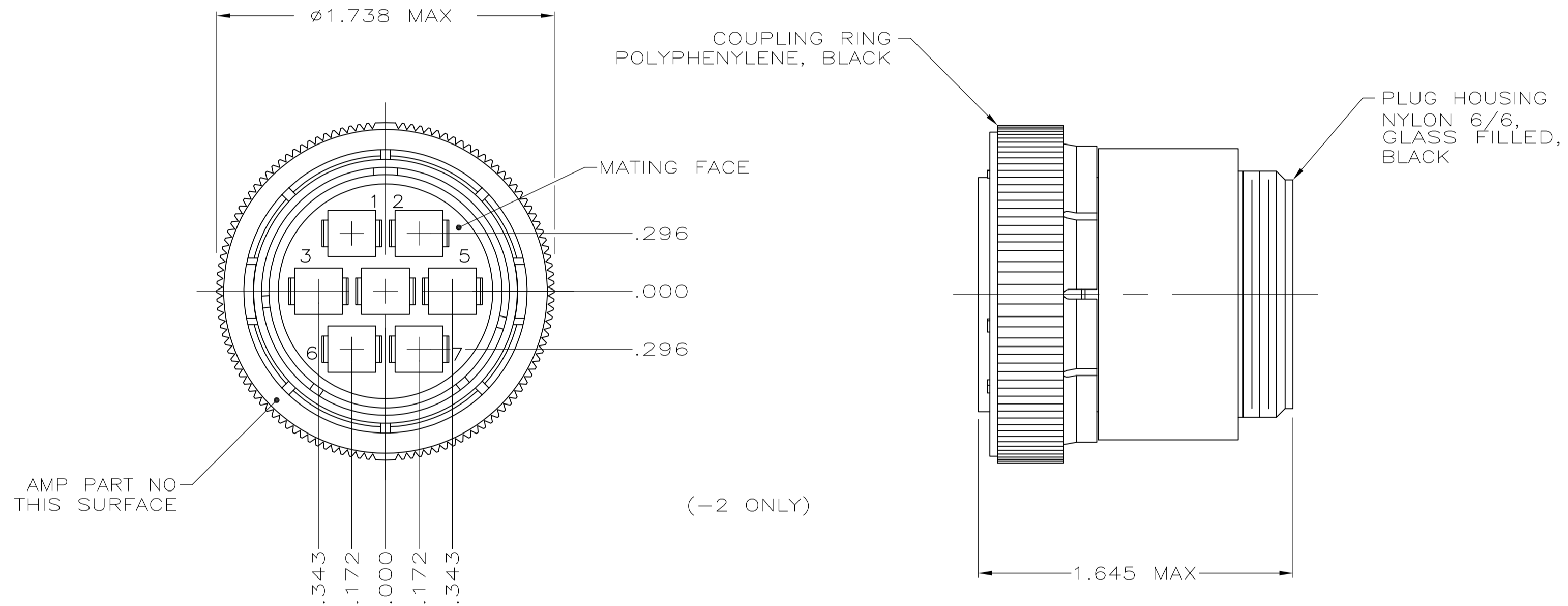
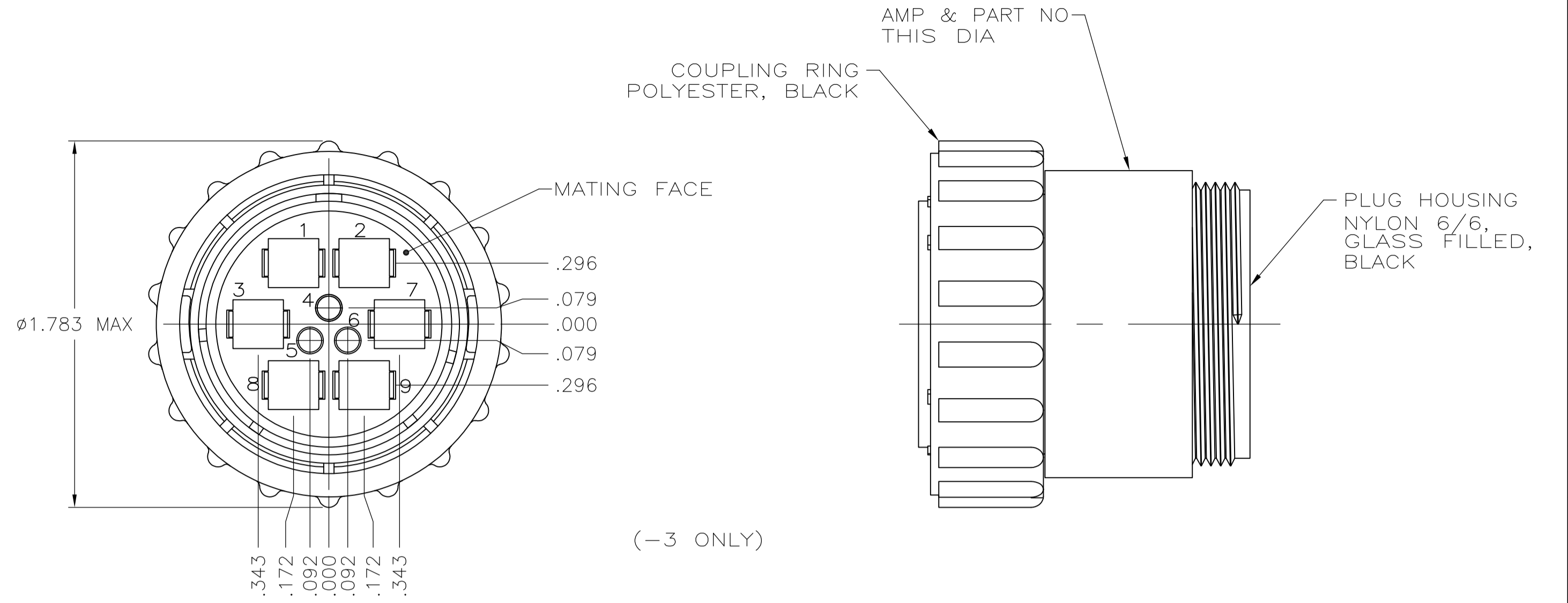
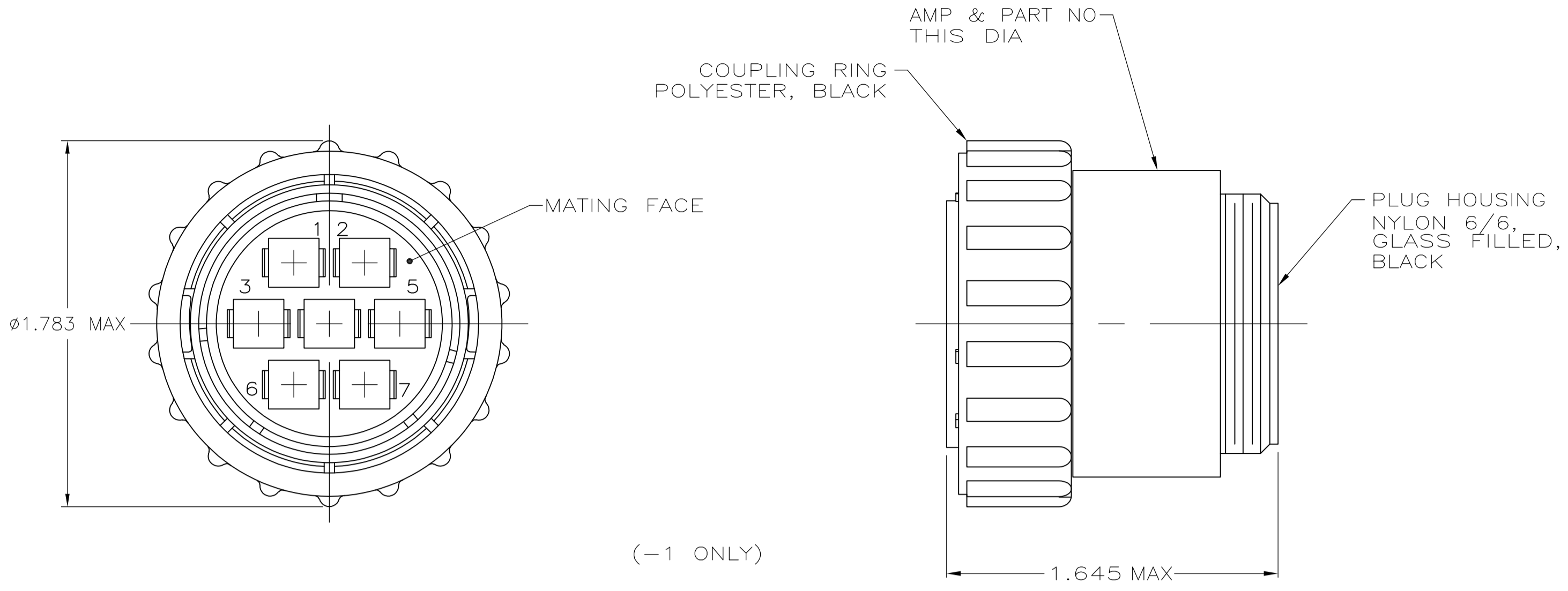


REVISIONS				
P	LTR	DESCRIPTION	DATE	APPV
L3		REVISED PER ECO-16-004800	10SEP2016	NK MZ



NOTES:

- 1. CONTACT CAVITIES IDENTIFIED BY CHARACTERS ON FRONT AND REAR FACES OF CONNECTOR.
- ⚠ -1 AND -2 WILL ACCEPT (7) SEVEN TYPE XII PIN CONTACTS.
- ⚠ -3 WILL ACCEPT (6) SIX TYPE XII PIN CONTACTS AND (3) THREE TYPE III+ PIN CONTACTS.
- ⚠ -4 WILL ACCEPT (6) SIX POWER BAND CONTACTS AND (3) THREE TYPE III+ PIN CONTACTS.
- ⚠ PRELIMINARY PART NUMBER.
- ⚠ OBSOLETE PARTS: OBSOLETE CIS STREAMLINING PER D.RENAUD/D.SINISI

⚠	OBSOLETE	-206226-4-
⚠	OBSOLETE	-206226-3-
⚠	OBSOLETE	-206226-2-
⚠		206226-1

PART NUMBER

THIS DRAWING IS A CONTROLLED DOCUMENT.		DIN S.RIDGLEY BG 8/2/90	TE Connectivity	
DIMENSIONS: INCHES		CHK: R.STONE 04/26/91	NAME: PLUG ASSEMBLY, SHELL SIZE 23, REVERSE SEX, SERIES 3, CPC	
TOLERANCES UNLESS OTHERWISE SPECIFIED:		APVD: -	PRODUCT SPEC: -	
0. PLC ± -		APPLICATION SPEC: -		
1. PLC ± -		SIZE: A1		
2. PLC ± -		CAGE CODE: 00779		
3. PLC ± .005		DRAWING NO: 206226		
4. PLC ± -		WEIGHT: -		
ANGLES ± -		CUSTOMER DRAWING		
MATERIAL SEE CALLOUT		SCALE: 2:1		SHEET 1 OF 1
		REV: L3		