

## Metal dust protection cap - SH-Z2302 - 1622139

Please be informed that the data shown in this PDF Document is generated from our Online Catalog. Please find the complete data in the user's documentation. Our General Terms of Use for Downloads are valid (<http://phoenixcontact.com/download>)

Metal dust protection cap with steel wire for M23 hybrid connectors with external thread



### Key Commercial Data

Packing unit	1 STK
Minimum order quantity	10 STK
Custom tariff number	74199990
Country of origin	Germany

### Technical data

#### General

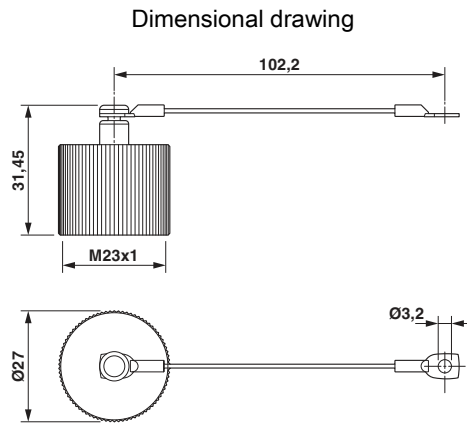
Type of locking	M23
-----------------	-----

#### Ambient conditions

Degree of protection	IP67
----------------------	------

### Drawings

## Metal dust protection cap - SH-Z2302 - 1622139



### Classifications

eCl@ss

eCl@ss 4.0	272607xx
eCl@ss 4.1	27260701
eCl@ss 5.0	27260701
eCl@ss 5.1	27260701
eCl@ss 6.0	27260708
eCl@ss 7.0	27440312
eCl@ss 8.0	27440312
eCl@ss 9.0	27440312

ETIM

ETIM 5.0	EC002641
----------	----------