

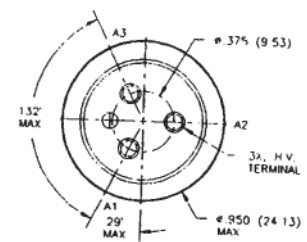
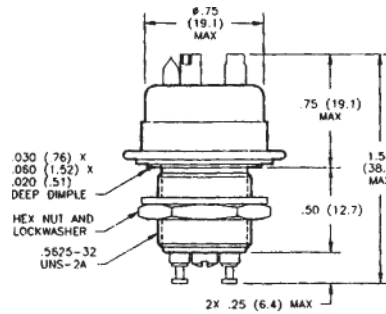
HC Series — 3.5 kV Relays

HC-1
No Load Switching

HC-3
Make & Break Load Switching

Product Facts for HC-1

- Widely used for RF applications
- Vacuum dielectric for low leakage current applications
- Copper contacts for high current capability
- Not designed for power switching
- Meets requirements of MIL-R-83725
- QPL version available, M83725/5-001



Product Facts for HC-3

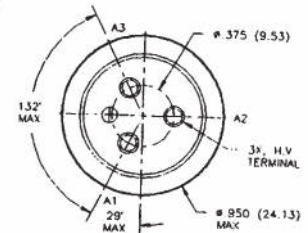
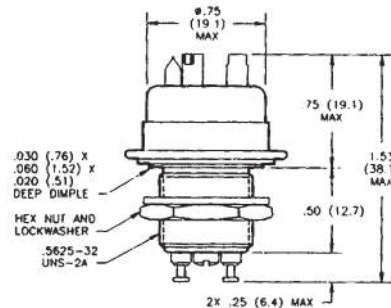
- Tungsten contacts for long life when power switching
- Vacuum dielectric for power switching low current loads

For factory-direct application assistance, dial 800-253-4560, ext. 2055, or 805-220-2055.

HC-5
Make Only Load Switching

Product Facts for HC-5

- Gas-filled for "make only" power switching
- SF-6 gas-filled for capacitive discharge applications
- Tungsten contacts for long life when power switching



Product Specifications for HC-1, HC-3 and HC-5

Contact Arrangement — SPDT

Contact Form — C

Test Voltage, DC or 60 Hz (Peak) — 5 kV

Rated Operating Voltage (Peak) — DC or 60 Hz — 3.5 kV

2.5 MHz — 2.5 kV

16 MHz — 2 kV

32 MHz — 1.5 kV

Continuous Carry Current, Max. —

DC or 60 Hz — HC-1 — 25 A

HC-3 — 18 A

HC-5 — 8 A

2.5 MHz — HC-1 — 14 A

16 MHz — HC-1 — 9 A

32 MHz — HC-1 — 7 A

Coil Hi-Pot (Vrms, 60 Hz) — 500 A

Contact Capacitance —

Between Open Contacts —

HC-1 — 2 pF

Open Contacts to Ground —
HC-1 — 2.5 pF

Contact Resistance, Max. —

HC-1 — 0.01 ohm

HC-3 — 0.02 ohm

HC-5 — 0.50 ohm*

Operate Time, Max. — 6 ms

Release Time, Max. — 6 ms

Shock, 11ms, 1/2 Sine (Peak) — 50 g

Vibration —

Peak — 10 g (55 to 2000 Hz)

Operating Ambient Temperature Range — -55°C to +125°C

Mechanical Life —

HC-1, HC-3 — 2 million cycles

HC-5 — 1 million cycles

Weight, Nominal —

28.35 g (1.0 oz.)

Note:

*Contact resistance for gas-filled relays is measured at 28 Vdc, 1 Amp

Coil Data

| Nominal Volts DC | 12 Vdc | 26.5 Vdc | 115 Vdc |
|------------------------|----------|----------|----------|
| Pickup, Max. | 8 Vdc | 16 Vdc | 80 Vdc |
| Dropout | .5-5 Vdc | 1-10 Vdc | 5-50 Vdc |
| Coil Resistance (±10%) | 80 Ω | 335 Ω | 6000 Ω |

Ratings listed are for 25°C, sea level conditions

Ordering Information

Sample Part Number ▶

HC- 1 /12Vdc

Series: _____

Model: _____

1

3

5

Coil Voltage: _____

Blank = 26.5 Vdc

/12Vdc = 12 Vdc

/115Vdc = 115 Vdc

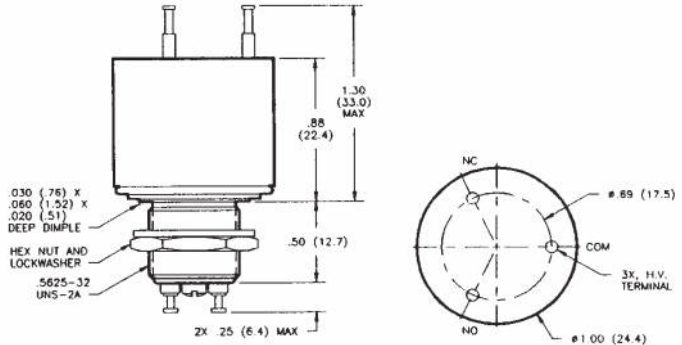
HC Series — 8 kV Relays

HC-2
No Load Switching

HC-4
Make & Break Load Switching

Product Facts for HC-2

- Vacuum dielectric and copper contacts for high current carry rating of 25 Amps
- Not designed for power switching
- Stable, low contact resistance
- Meets requirements of MIL-R-83725



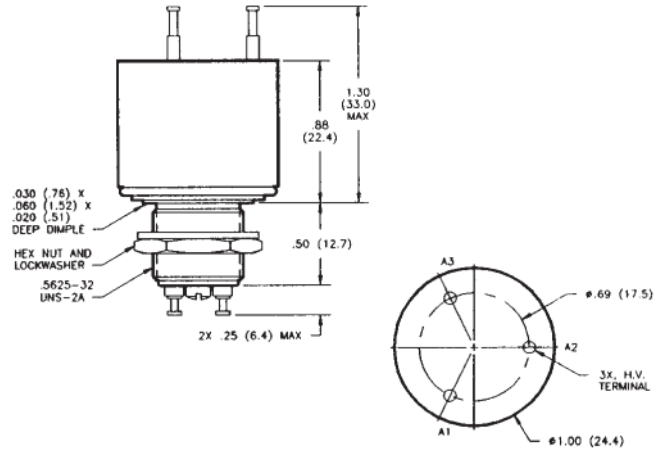
Product Facts for HC-4

- Tungsten contacts for long life in power switching applications
- Meets requirements of MIL-R-83725
- Vacuum dielectric for arc suppression when making or breaking a load

HC-6
Make Only Load Switching

Product Facts for HC-6

- Tungsten contacts for switching high in-rush loads
- SF-6 gas-filled for capacitive discharge applications
- Suitable for ESD testing applications
- Tungsten contacts for long life in power switching applications



Product Specifications for HC-2, HC-4 and HC-6

Contact Arrangement — SPDT
Contact Form — C
Test Voltage, DC or 60 Hz (Peak) — 10 kV
Rated Operating Voltage (Peak) — DC or 60 Hz — 8 kV
Continuous Carry Current, Max. — DC or 60 Hz — HC-2 — 25 A RMS
 HC-4 — 15 A RMS
 HC-6 — 8 A RMS
 Coil Hi-Pot (Vrms, 60 Hz) — 500 A RMS

Contact Capacitance —
 Between Open Contacts — N/A
 Open Contacts to Ground — N/A
Contact Resistance, Max. —
 HC-2 — 0.01 ohm
 HC-4 — 0.02 ohm
 HC-6 — 0.5 ohm*

Operate Time, Max. — 6 ms
Release Time, Max. — 6 ms

Shock, 11ms, 1/2 Sine (Peak) — 50 g

Vibration —
 Peak — 10 g (55 to 2000 Hz)

Operating Ambient Temperature Range — -55°C to +125°C

Mechanical Life —
 HC-2 and HC-4 — 2 million cycles
 HC-6 — 1 million cycle

Weight, Nominal — 39.69 g (1.4 oz.)

*Contact resistance for gas-filled relays is measured at 28 Vdc, 1 Amp

For factory-direct application assistance, dial 800-253-4560, ext. 2055, or 805-220-2055.

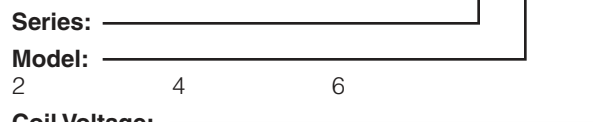
Coil Data

| Nominal Volts DC | 12 Vdc | 26.5 Vdc | 115 Vdc |
|------------------------|----------|----------|----------|
| Pickup, Max. | 8 Vdc | 16 Vdc | 80 Vdc |
| Dropout | .5-5 Vdc | 1-10 Vdc | 5-50 Vdc |
| Coil Resistance (±10%) | 80 Ω | 335 Ω | 6000 Ω |

Ratings listed are for 25°C, sea level conditions

Ordering Information

Sample Part Number ▶ HC- 6 /12Vdc



Coil Voltage:
 Blank = 26.5 Vdc
 /12Vdc = 12 Vdc
 /115Vdc = 115 Vdc