

THIS DRAWING IS UNPUBLISHED.

RELEASED FOR PUBLICATION

-, - .

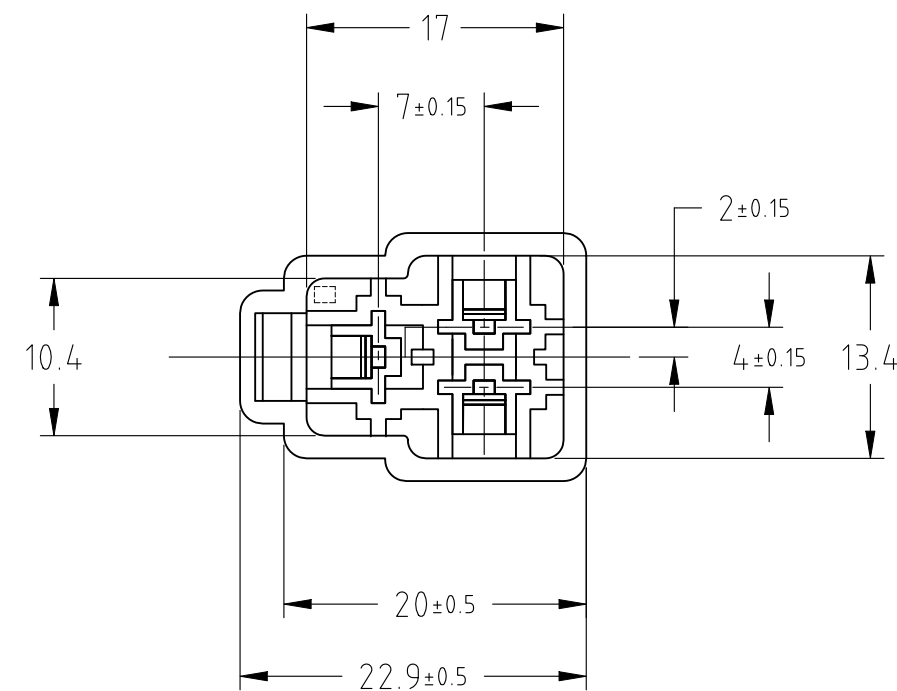
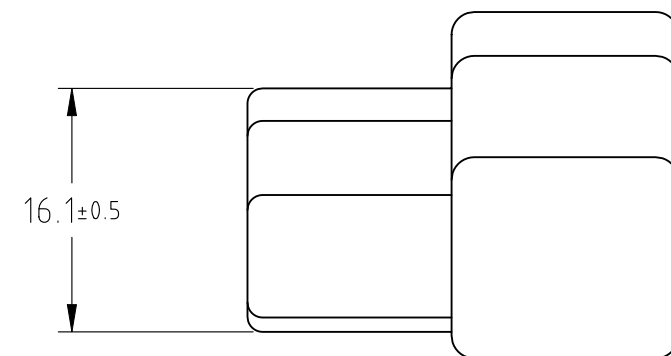
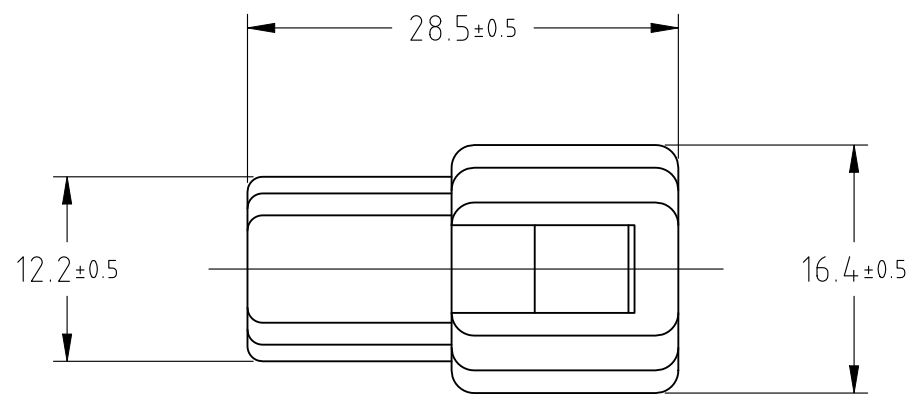
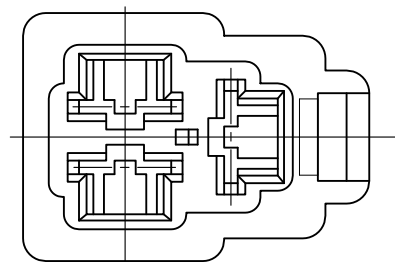
REVISIONS

変更

© COPYRIGHT - By -

ALL RIGHTS RESERVED.

P	LTR	DESCRIPTION	DATE	DWN	APVD
	E8	REVISED PER ECR-23-175142	21AUG2023	SS	EW




注記

- 1. かん合する相手ハウジングは型番172132
- 2. 使用端子は型番170340,170341,170349
- ③材料：6/6ナイロン（UL94V-2）
- ④材料：6/6ナイロン（UL94V-0）

NOTES

- 1. THE MATING PLUG HOUSING P/N : 172132
- 2. APPLIED CONTACT P/N : 170340,170341,170349
- ③ MATERIAL : 6/6NYLON (UL94V-2)
- ④ MATERIAL : 6/6NYLON (UL94V-0)
- ⑤ OBSOLETE PARTS: OBSOLETE CIS STREAMLINING PER D.RENAUD/D.SINISI

④	BLUE	2-172131-5
④	NATURAL	2-172131-1
④	NATURAL	1-172131-1
③	GRAY	172131-6
③	BLACK	172131-2
材料	色調	型番
MATERIAL	COLOR	PART NUMBER

THIS DRAWING IS A CONTROLLED DOCUMENT.		DWN J.SATO 14OCT2008	 TE Connectivity														
DIMENSIONS: 単位： 耗 mm		CHK S.MANABE 14OCT2008															
TOLERANCES UNLESS OTHERWISE SPECIFIED: 一般公差		APVD S.MANABE 14OCT2008	NAME 名称 250 SERIES HOUSING LANCE CONNECTOR 3POS CAP HOUSING														
<table border="1"> <tr><td>0 PLC</td><td>± 0.2</td></tr> <tr><td>1 PLC</td><td>± 0.25</td></tr> <tr><td>2 PLC</td><td>± 0.3</td></tr> <tr><td>3 PLC</td><td>±</td></tr> <tr><td>4 PLC</td><td>±</td></tr> <tr><td>ANGLES</td><td>± 3°</td></tr> </table>		0 PLC	± 0.2	1 PLC	± 0.25	2 PLC	± 0.3	3 PLC	±	4 PLC	±	ANGLES	± 3°	PRODUCT SPEC 製品規格	SIZE A3		
0 PLC	± 0.2																
1 PLC	± 0.25																
2 PLC	± 0.3																
3 PLC	±																
4 PLC	±																
ANGLES	± 3°																
MATERIAL 材料 SEE NOTE		APPLICATION SPEC 取付適用規格	CAGE CODE 00779	DRAWING NO 番号 C-172131	RESTRICTED TO —												
		WEIGHT	SCALE 尺度 2:1														
		CUSTOMER DRAWING		SHEET 1 OF 1	REV E8												