



TE Internal #: 603502-3  
 Splices, Butt Splice, 22 – 18 AWG Wire Size, .3 – .9 mm<sup>2</sup> Wire Size,  
 Sealable, .17 in [4 mm] Barrel Inside Diameter, 509 – 1900 CMA  
 Wire Size, Copper

[View on TE.com >](#)

Terminals & Splices > Splices



Wire Size: .3 – .9 mm<sup>2</sup>

Sealable: **Yes**

Compatible Insulation Diameter Range: **4 mm [ .17 in ]**

Barrel Inside Diameter: **4 mm [ .17 in ]**

## Features

### Product Type Features

Sealable	Yes
Splice Type	Butt Splice
Compatible With Discrete Wire Type	Stranded
Wire Insulation Support Retention Type	Insulation Support

### Configuration Features

Compatible With Wire & Cable Type	Discrete Wire
-----------------------------------	---------------

### Electrical Characteristics

Operating Voltage	600 V
-------------------	-------

### Body Features

Insulation Type	Pre-Insulated
	.003 oz
Insulation Material	Nylon
Primary Product Color	Red

### Contact Features

Terminal Plating Material	Tin
---------------------------	-----



Contact Base Material	Copper
-----------------------	--------

Barrel Type	Closed
-------------	--------

### Mechanical Attachment

Wire Insulation Support	With
-------------------------	------

### Dimensions

Recovered Inside Diameter	1.65 mm[.065 in]
---------------------------	------------------

Outside Diameter	4.45 mm[.175 in]
------------------	------------------

Wire Size	509 – 1900 CMA
-----------	----------------

Compatible Insulation Diameter Range	4 mm[.17 in]
--------------------------------------	--------------

Barrel Inside Diameter	4 mm[.17 in]
------------------------	--------------

Product Length	43 mm[1.693 in]
----------------	-----------------

### Usage Conditions

Insulation Option	Fully Insulated
-------------------	-----------------

Operating Temperature Range	-55 – 125 °C[-67 – 257 °F]
-----------------------------	----------------------------

### Industry Standards

Government Qualified Splice	No
-----------------------------	----

### Packaging Features

Packaging Quantity	1000
--------------------	------

Packaging Method	Loose Piece
------------------	-------------

### Product Compliance

[For compliance documentation, visit the product page on TE.com>](#)

EU RoHS Directive 2011/65/EU	Compliant
------------------------------	-----------

EU ELV Directive 2000/53/EC	Compliant
-----------------------------	-----------

China RoHS 2 Directive MIIT Order No 32, 2016	No Restricted Materials Above Threshold
---	---

EU REACH Regulation (EC) No. 1907/2006	Current ECHA Candidate List: JUNE 2023 (235) Candidate List Declared Against: JUNE 2022 (224) Does not contain REACH SVHC
--	---

Halogen Content	BFR/CFR/PVC Free, but Br/Cl >900 ppm in other sources.
-----------------	--

Solder Process Capability	Not applicable for solder process capability
---------------------------	--

## Product Compliance Disclaimer

This information is provided based on reasonable inquiry of our suppliers and represents our current actual knowledge based on the information they provided. This information is subject to change. The part numbers that TE has identified as EU RoHS compliant have a maximum concentration of 0.1% by weight in homogenous materials for lead, hexavalent chromium, mercury, PBB, PBDE, DBP, BBP, DEHP, DIBP, and 0.01% for cadmium, or qualify for an exemption to these limits as defined in the Annexes of Directive 2011/65/EU (RoHS2). Finished electrical and electronic equipment products will be CE marked as required by Directive 2011/65/EU. Components may not be CE marked. Additionally, the part numbers that TE has identified as EU ELV compliant have a maximum concentration of 0.1% by weight in homogenous materials for lead, hexavalent chromium, and mercury, and 0.01% for cadmium, or qualify for an exemption to these limits as defined in the Annexes of Directive 2000/53/EC (ELV). Regarding the REACH Regulation, the information TE provides on SVHC in articles for this part number is based on the latest European Chemicals Agency (ECHA) 'Guidance on requirements for substances in articles' posted at this URL: <https://echa.europa.eu/guidance-documents/guidance-on-reach>

## Customers Also Bought



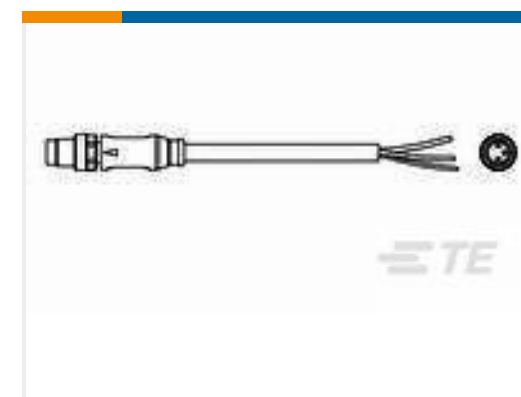
TE Part #2112302-1  
PROTECTION CAP, FOR REC.HSG  
GROUP D



TE Part #2-1564542-1  
2POS,AMP MCP6.3/4.8K,REC HSG,A



TE Part #206425-2  
RECEIPT ASSY, SZ 17-3, CPC



TE Part #2273000-2  
M8 x 1.0 straight plug Pigtail



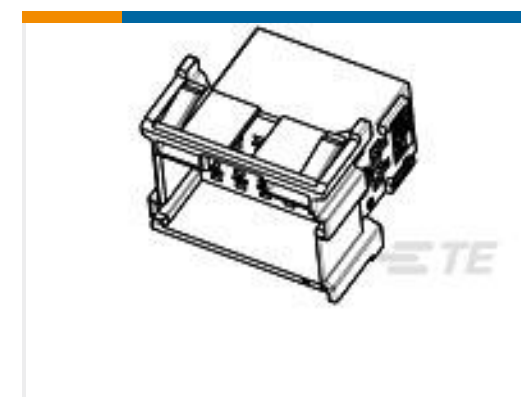
TE Part #1-1630019-7  
HSC200 330R 5%



TE Part #T4161120008-001  
RPC-M12-MS-8CON-PUR-0.5SH



TE Part #T4112011051-000  
M12 F, 5P GOLD A\_CODE RA  
SHIELDED PG7



TE Part #1-965641-5  
FLACHSTE-GEH2,8 6P



TE Part #E44791-000  
MP-762508-2.5-8A

## Documents

## Product Drawings

PRE-INSUL SEALED SPLICE 22-16

English

## CAD Files

3D PDF



3D

Customer View Model

[ENG\\_CVM\\_CVM\\_603502-3\\_K.2d\\_dxf.zip](#)

English

Customer View Model

[ENG\\_CVM\\_CVM\\_603502-3\\_K.3d\\_igs.zip](#)

English

Customer View Model

[ENG\\_CVM\\_CVM\\_603502-3\\_K.3d\\_stp.zip](#)

English

Customer View Model

[ENG\\_CVM\\_603502-3\\_N.3d\\_igs.zip](#)

English

Customer View Model

[ENG\\_CVM\\_603502-3\\_N.3d\\_stp.zip](#)

English

Customer View Model

[ENG\\_CVM\\_603502-3\\_N.2d\\_dxf.zip](#)

English

**3D PDF**

English

By downloading the CAD file I accept and agree to the [Terms and Conditions](#) of use.

**Datasheets & Catalog Pages**

[RADIATION\\_RESISTANT\\_PRE-INSULATED\\_TERMINALS\\_SPLICES](#)

English