

4

3

2

1

THIS DRAWING IS UNPUBLISHED.

RELEASED FOR PUBLICATION

20

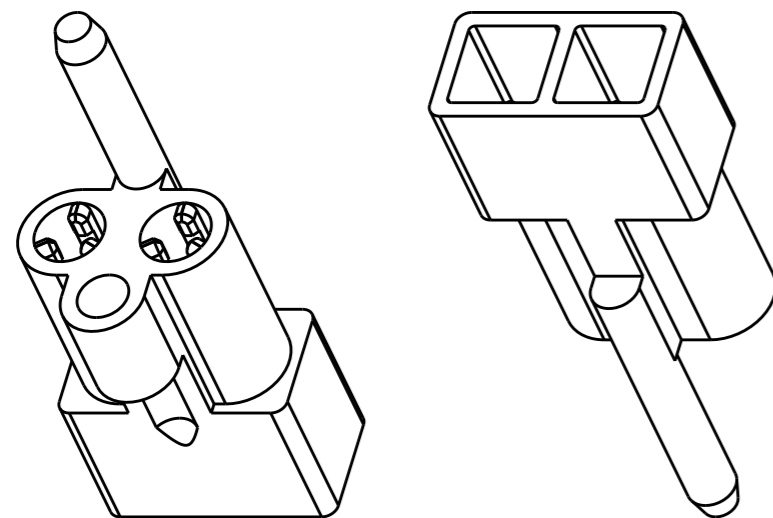
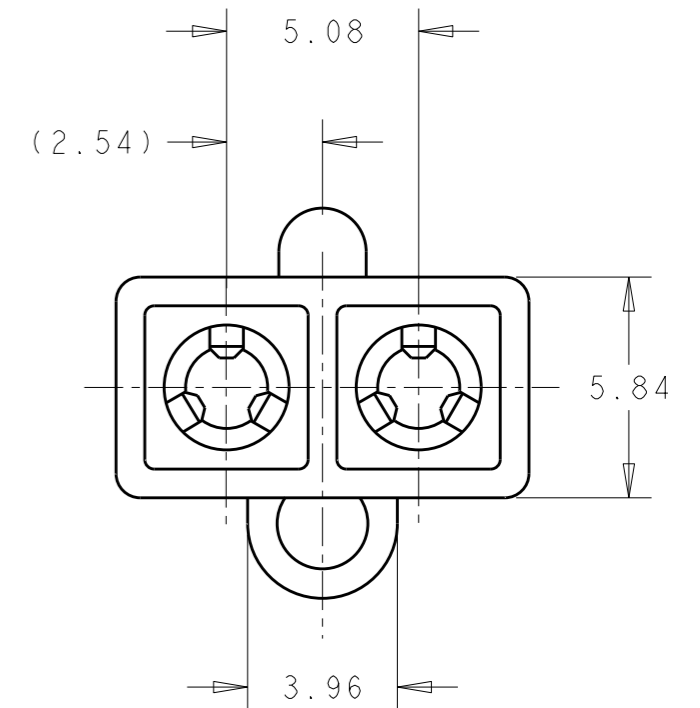
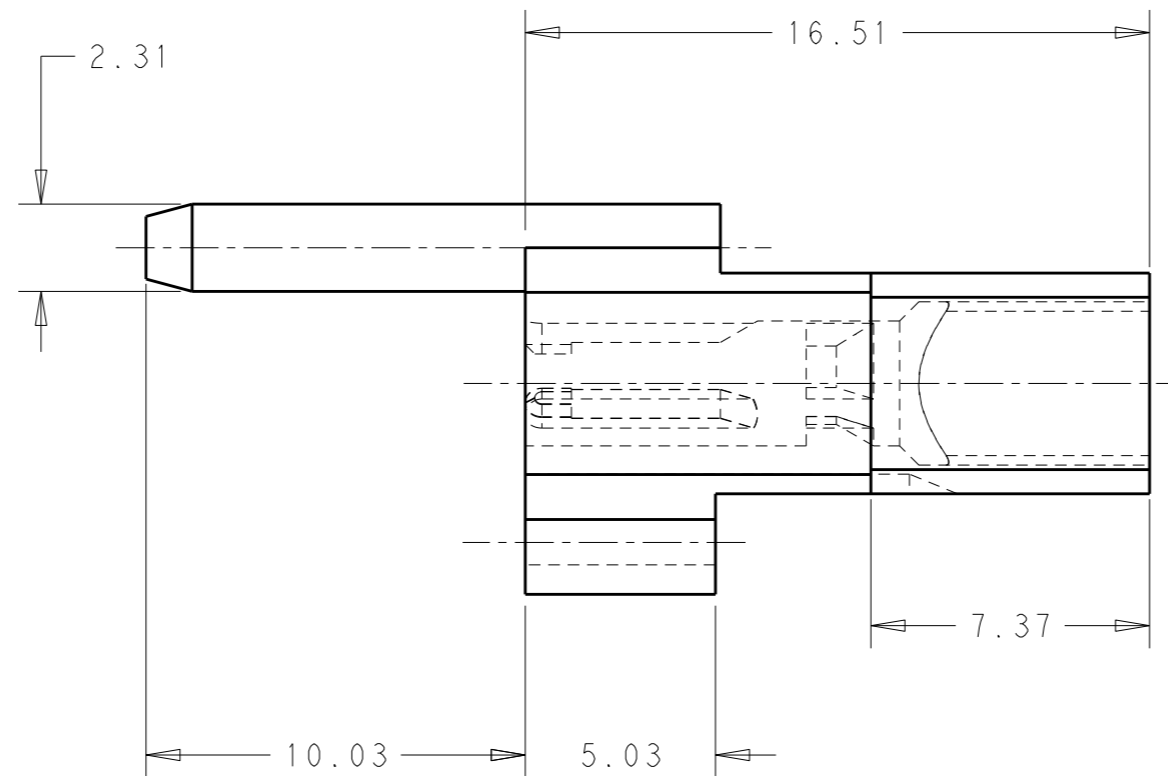
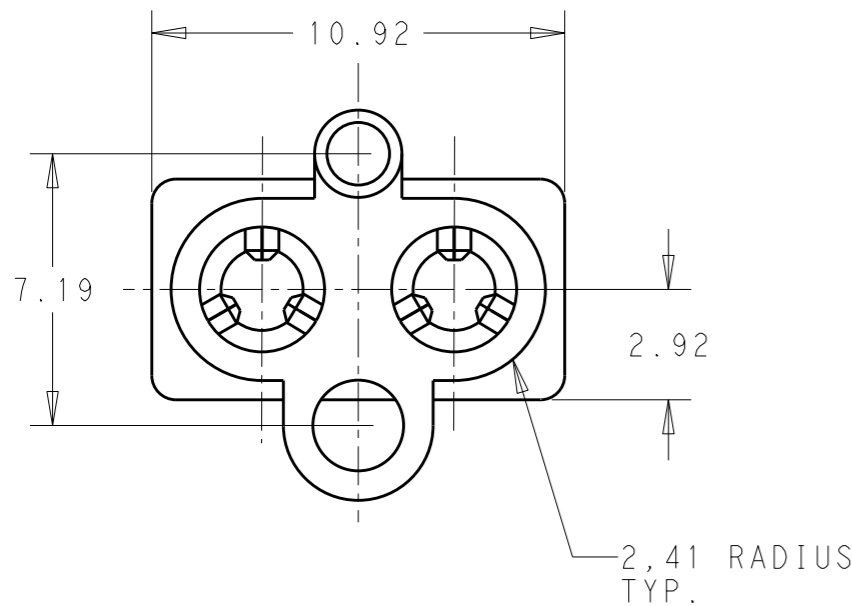
© COPYRIGHT 20 BY -

ALL RIGHTS RESERVED.

LOC AP DIST -

REVISIONS

| P | LTR | DESCRIPTION              | DATE      | DWN | APVD |
|---|-----|--------------------------|-----------|-----|------|
|   | AB  | REVISED BY ECO-11-014179 | 07FEB2012 | HC  | WLS  |
|   |     |                          |           |     |      |
|   |     |                          |           |     |      |



|         |          |             |
|---------|----------|-------------|
| NATURAL | PA - 6.6 | 152302-5    |
| FINISH  | MATERIAL | PART NUMBER |

THIS DRAWING IS A CONTROLLED DOCUMENT.

DWN H.C.CANTERI 29APR2011  
 CHK W.L.STEFANI 29APR2011  
 APVD -

**STE** TE Connectivity

| DIMENSIONS: | TOLERANCES UNLESS OTHERWISE SPECIFIED: |
|-------------|--|
| mm          |  |
|             | 0 PLC ±-                               |
|             | 1 PLC ±0,4                             |
|             | 2 PLC ±0,4                             |
|             | 3 PLC ±-                               |
|             | 4 PLC ±-                               |
|             | ANGLES ±1                              |

PRODUCT SPEC -  
 APPLICATION SPEC -  
 WEIGHT -

|   |                |                        |                    |
|---|----------------|------------------------|--------------------|
| NAME<br>2 WAY SOCKET HOUSING FOR P.C. BOARD |                |                        |                    |
| SIZE<br>A3                                  | CAGE CODE<br>- | DRAWING NO<br>C-152302 | RESTRICTED TO<br>- |

MATERIAL - FINISH -

CUSTOMER DRAWING SCALE 5/1 SHEET 1 OF 1 REV AB