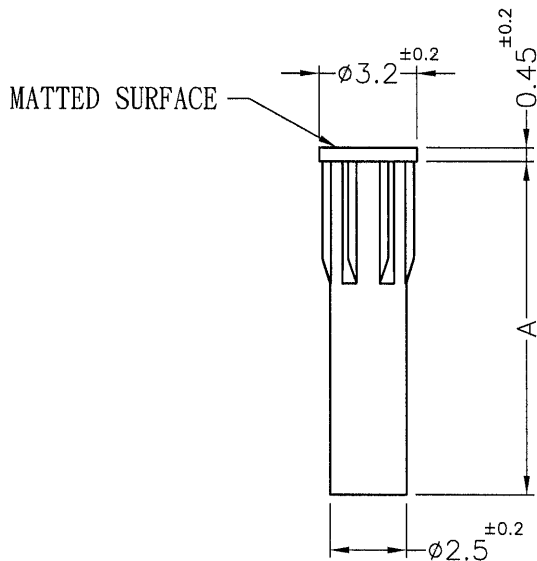


DIM.	TOL
L≤10	±0.2
10<L≤30	±0.3
30<L≤50	±0.5
50<L≤100	±0.7
100<L≤250	±1.2
ABOVE 250	±1.5


REVISIONS			
REV	DESCRIPTION	DATE	BY



MOUNTING HOLE: $\phi 2.8^{+0.1}_0$

PART NO.	A	MATERIAL
LEM-167	10.05	PC UL94V-2
LEM-167V0	10.05	PC UL94V-0
LEM-167-11	11.0	PC UL94V-2

NOTE: MADE OF EQUIVALENT MATERIAL.
均可使用同等材質.

 <p>康揚企業股份有限公司 KANG YANG HARDWARE ENTERPRISE CO., LTD. 康揚塑膠(東莞)有限公司 KANG YANG PLASTIC(DONG GUAN) CO., LTD. ISO 9001 ISO 14001 QC 080000 康哲電腦配件(吳江)有限公司 KANG CHE COMPUTER COMPONENTS(WUJIANG) CO., LTD.</p>				TITLE	LIGHT PIPE	SPEC. DWG.	
				MATERIAL	SEE ABOVE	DATE	2013.07.26
				FINISH		DRAWN	Emily
				COLOR	TRANSPARENT	CHECK	薛梅
PART NUMBER	SEE ABOVE	DRAWING NUMBER	LEM-167H	UNLESS OTHERWISE SPECIFIED TOLERANCE	SEE ABOVE	APPROVED	Kan-g
SIZE	A4	SCALE	4:1	UNIT	mm	REV	C