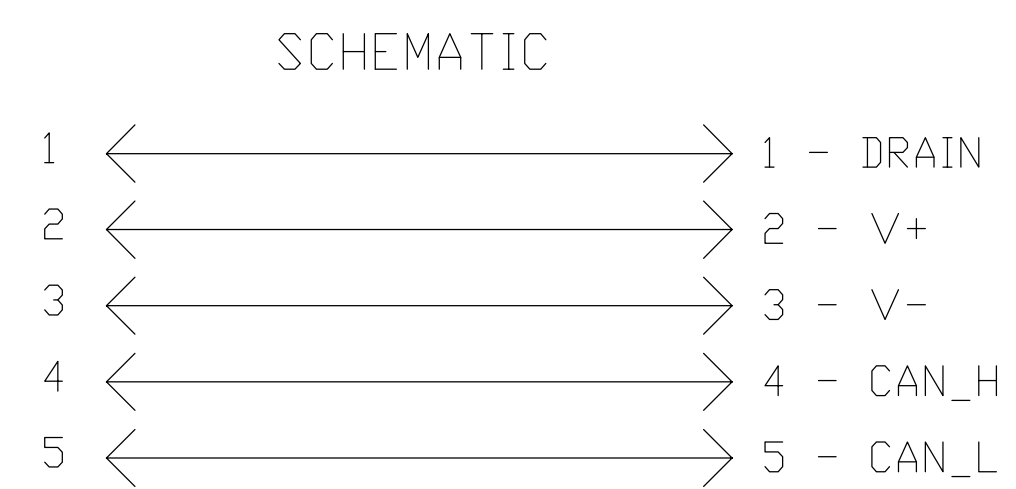
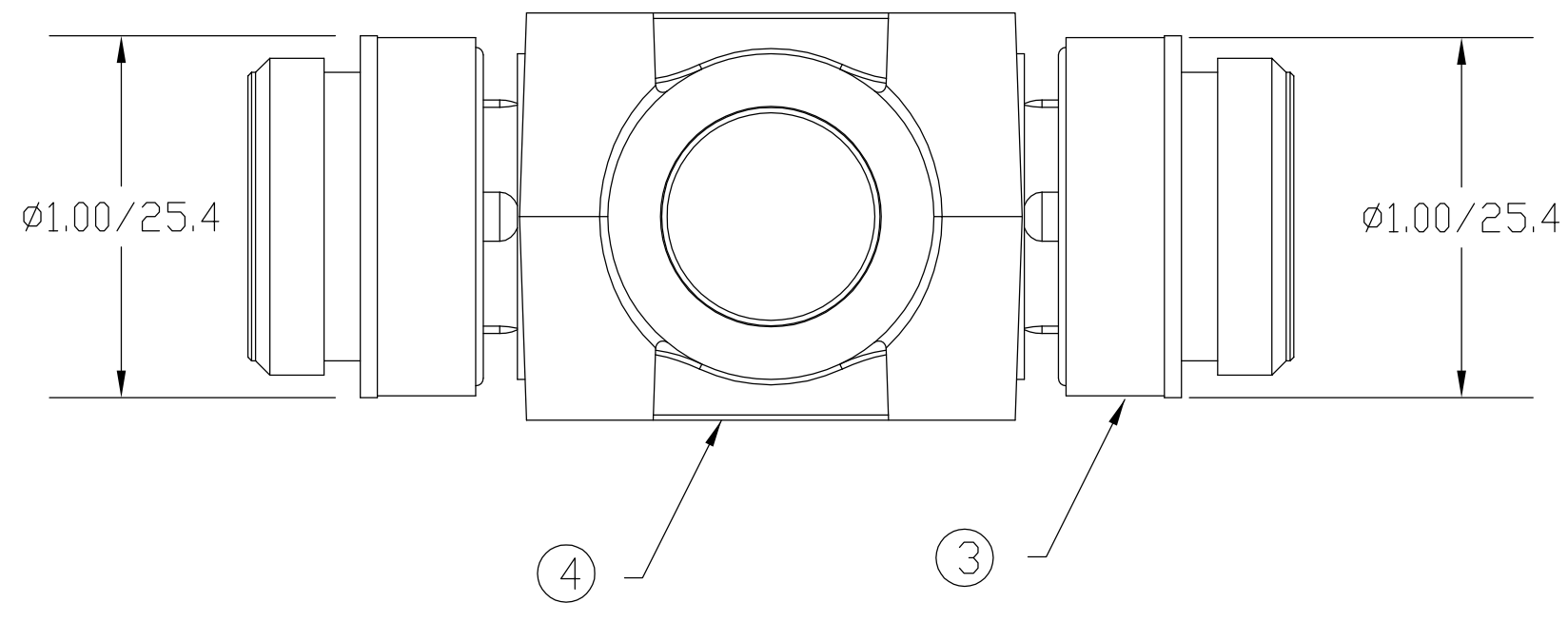
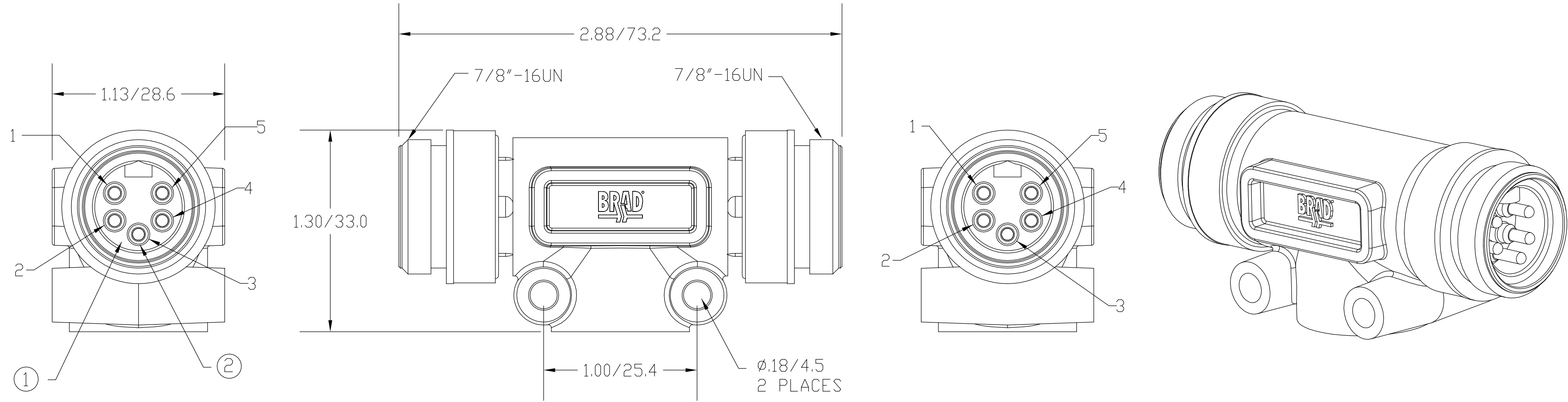


MATERIAL NUMBER	OLD PART NUMBER
130035-0015	115060A



VOLTAGE RATING	25 VAC/VDC
AMPERAGE RATING	4 AMPS
PROTECTION	IP67
OPERATING TEMPERATURE	-20°C TO 80°C

ITEM	COMPONENT	MATERIAL	FINISH
1	INSERT	TPE	GRAY
2	CONTACT PIN	COPPER ALLOY	GOLD OVER NICKEL
3	COUPLING NUT	ZINC DIE CAST	BLACK E-COATED
4	OVERMOLD	TPE	GRAY

RLSD DRAWING
 EC NO: WNA2009-0576
 DRWN: BWOODMAN 3/11/09
 CH'KD: KJ
 APPR: JFMURPHY 2009/03/31
 A

QUALITY SYMBOL
 ▽=0
 ▽=0
 ANGULAR ±---°
 DRAFT WHERE APPLICABLE MUST REMAIN WITHIN DIMENSIONS

GENERAL TOLERANCES (UNLESS SPECIFIED)

	mm	INCH
4 PLACES	±---	±---
3 PLACES	±---	±---
2 PLACES	±---	±.01
1 PLACE	±0.3	±---

 DIMENSION STYLE IN/MM
 DRAWN BY DATE
 BW 2009/03/12
 CHECKED BY DATE
 JM 2009/03/12
 APPROVED BY DATE

 MATERIAL NO. SEE CHART
 SIZE C

SCALE ---
 DESIGN UNITS ---
 THIRD ANGLE PROJECTION
 TITLE MC 5P MALE GENDER CHANGE
 MOLEX INCORPORATED
 DOCUMENT NO. SD-130035-003
 SHEET NO. 1 OF 1
 THIS DRAWING CONTAINS INFORMATION THAT IS PROPRIETARY TO MOLEX INCORPORATED AND SHOULD NOT BE USED WITHOUT WRITTEN PERMISSION