

165034 ✓ ACTIVE

PIDG

TE Internal #: 165034

Ring Terminals & Spade Terminals, Ring Tongue, 12 – 10 AWG

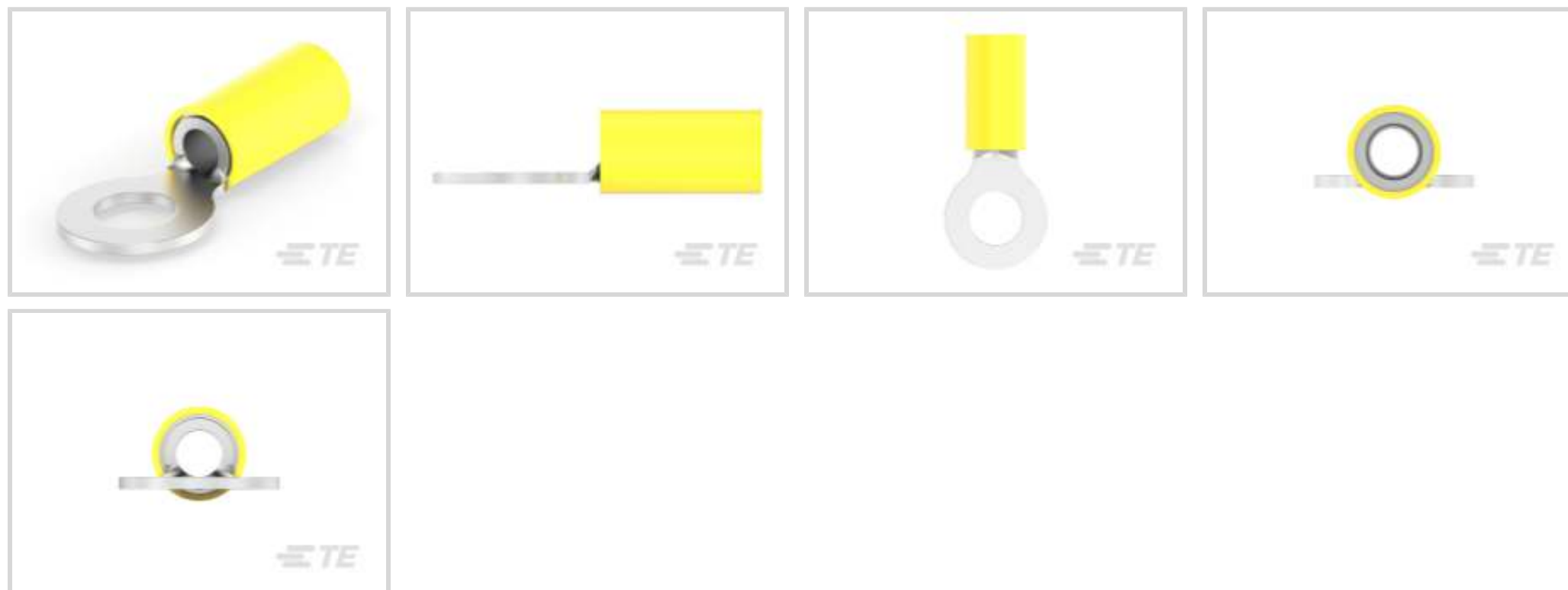
Wire Size, 2.7 – 6.6 mm² Wire Size, 5180 – 13100 CMA Wire Size,

Stud Size M6, PIDG

[View on TE.com >](#)



Terminals & Splices > Ring Terminals & Spade Terminals



Ring & Spade Terminal Type: **Ring Tongue**

Wire Size: **5180 – 13100 CMA**

Stud Size: **M6**

Features

Product Type Features

Stud Size	M6
Sealable	No
Wire Insulation Support Retention Type	Insulation Support

Configuration Features

Number of Holes	1
-----------------	---

Electrical Characteristics

Voltage Rating	300 V
----------------	-------

Body Features

Product Weight	2.737 g
Insulation Sleeve Color	Yellow
Stripe Color	Yellow

Contact Features

Ring & Spade Terminal Type	Ring Tongue
Barrel Type	Closed
Terminal Orientation	Straight



Terminal Plating Material	Tin
---------------------------	-----

Mechanical Attachment

Wire Insulation Support	With
-------------------------	------

Dimensions

Wire Size	5180 – 13100 CMA
Stud Diameter	6.7 mm[.265 in]
Tongue Thickness	.79 mm[.031 in]
Product Length	3.17 mm[1.188 in]
Compatible Insulation Diameter (Max)	6.35 mm[.25 in]
Compatible Insulation Diameter Range	3.81 – 6.35 mm[.15 – .25 in]

Usage Conditions

Insulation Option	Partially Insulated
Operating Temperature Range	105 °C[221 °F]

Operation/Application

Compatible With Wire Base Material	Copper
Compatible With Wire Plating Material	Tin

Industry Standards

Government Qualified Terminal	No
-------------------------------	----

Packaging Features

Packaging Quantity	500
Packaging Method	Box

Product Compliance

[For compliance documentation, visit the product page on TE.com>](#)

EU RoHS Directive 2011/65/EU	Compliant
EU ELV Directive 2000/53/EC	Compliant
China RoHS 2 Directive MIIT Order No 32, 2016	No Restricted Materials Above Threshold
EU REACH Regulation (EC) No. 1907/2006	Current ECHA Candidate List: JUNE 2023 (235) Candidate List Declared Against: JUNE 2023 (235) Does not contain REACH SVHC
Halogen Content	Low Halogen - Br, Cl, F, I < 900 ppm per homogenous material. Also BFR/CFR/PVC

Free

Solder Process Capability

Not applicable for solder process capability

Product Compliance Disclaimer

This information is provided based on reasonable inquiry of our suppliers and represents our current actual knowledge based on the information they provided. This information is subject to change. The part numbers that TE has identified as EU RoHS compliant have a maximum concentration of 0.1% by weight in homogenous materials for lead, hexavalent chromium, mercury, PBB, PBDE, DBP, BBP, DEHP, DIBP, and 0.01% for cadmium, or qualify for an exemption to these limits as defined in the Annexes of Directive 2011/65/EU (RoHS2). Finished electrical and electronic equipment products will be CE marked as required by Directive 2011/65/EU. Components may not be CE marked. Additionally, the part numbers that TE has identified as EU ELV compliant have a maximum concentration of 0.1% by weight in homogenous materials for lead, hexavalent chromium, and mercury, and 0.01% for cadmium, or qualify for an exemption to these limits as defined in the Annexes of Directive 2000/53/EC (ELV). Regarding the REACH Regulation, the information TE provides on SVHC in articles for this part number is based on the latest European Chemicals Agency (ECHA) 'Guidance on requirements for substances in articles' posted at this URL: <https://echa.europa.eu/guidance-documents/guidance-on-reach>

Compatible Parts



TE Part # 58433-3
PRO CR ASSY, RBY IS9252



TE Part # 59239-4
HHHT PIDG PG 12-10 ASSY



TE Part # 58423-1
DIE, RBY IS9252




TE Part # 59824-1
TETRA-CRIMP PIDG PG FASTON 22-10 ASSY



TE Part # 539691-2
ERGO DIE R.B.Y



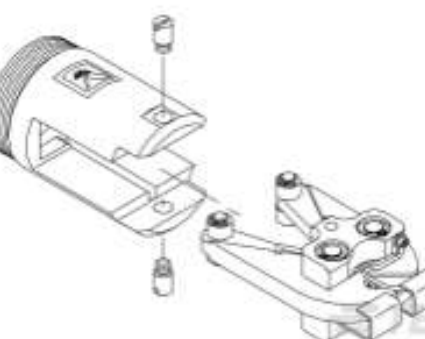
TE Part # 2063030-1
SDE DIESET, RBY, UL



TE Part # 2217484-1
KIT, BTLI, HEAVY HEAD



TE Part # 47808-6
DIES PIDG 12-10 DIE SET



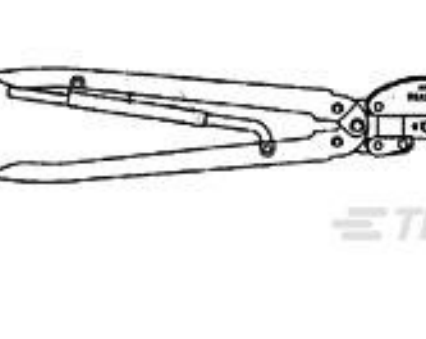
TE Part # 679300-1
1210 PIDG CRIMP HEAD



TE Part # 7-1377173-9
SMP 0-0165034-0



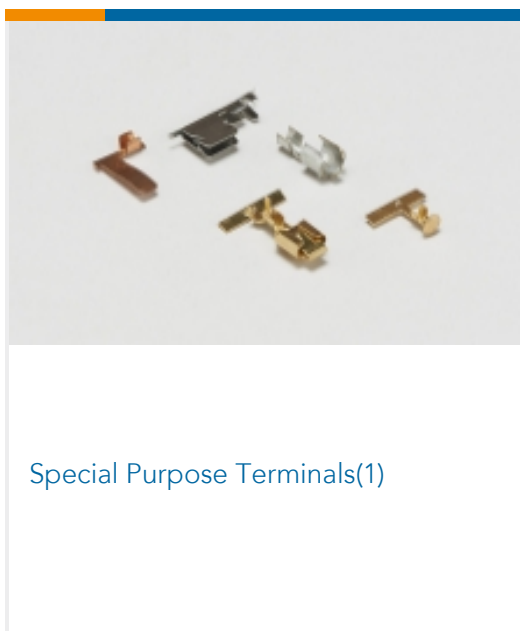
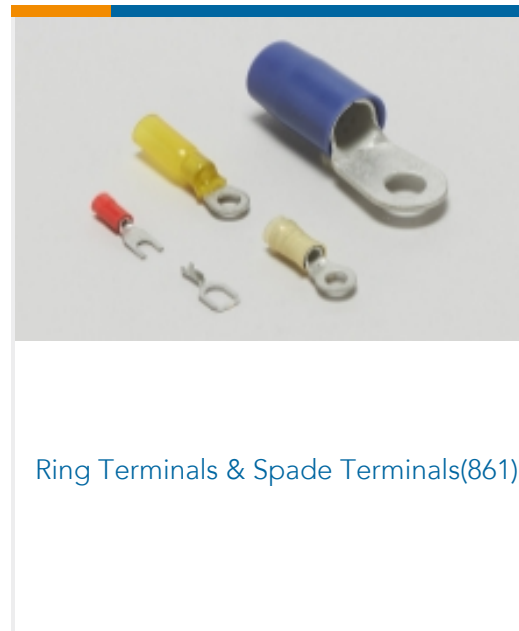
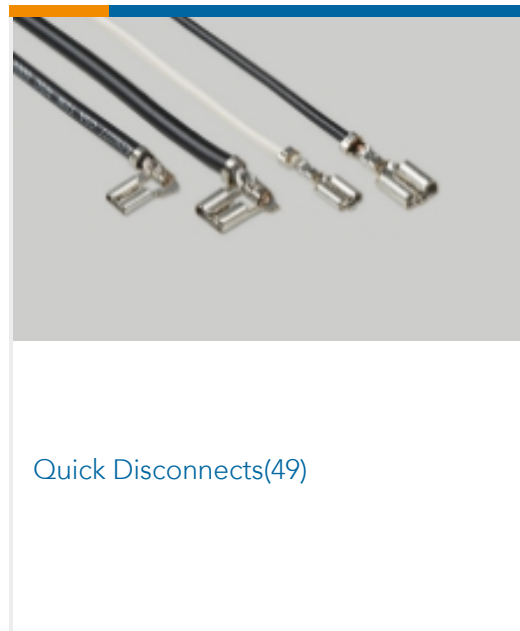
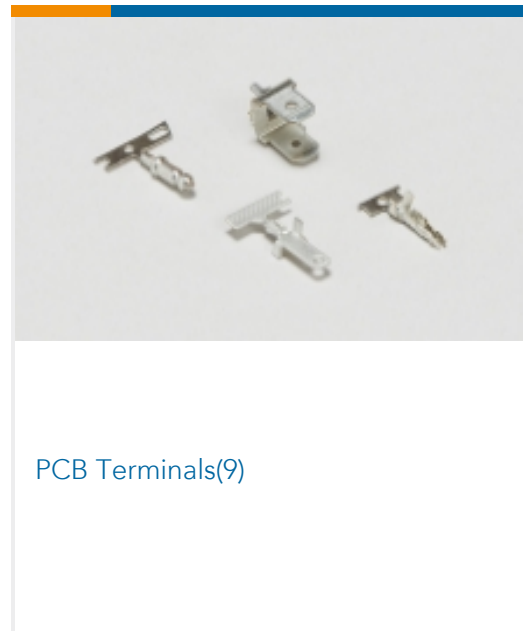
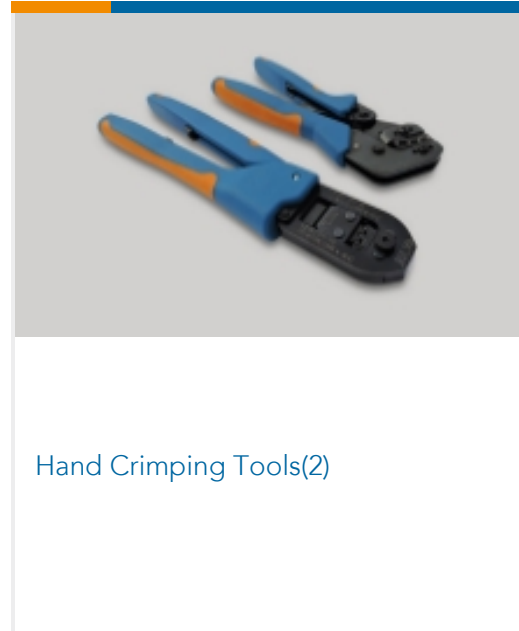
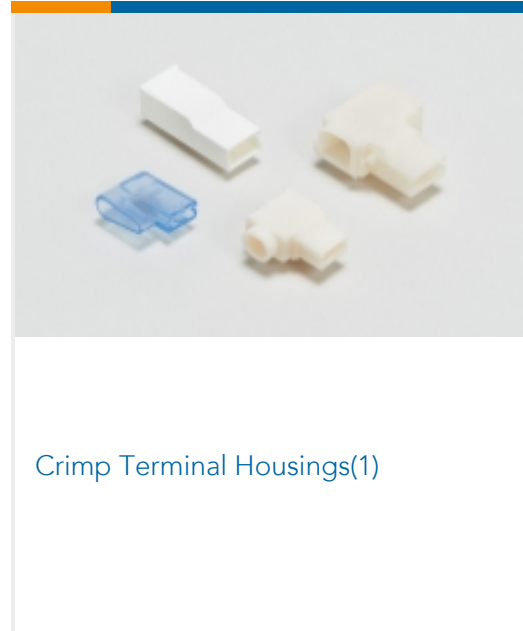
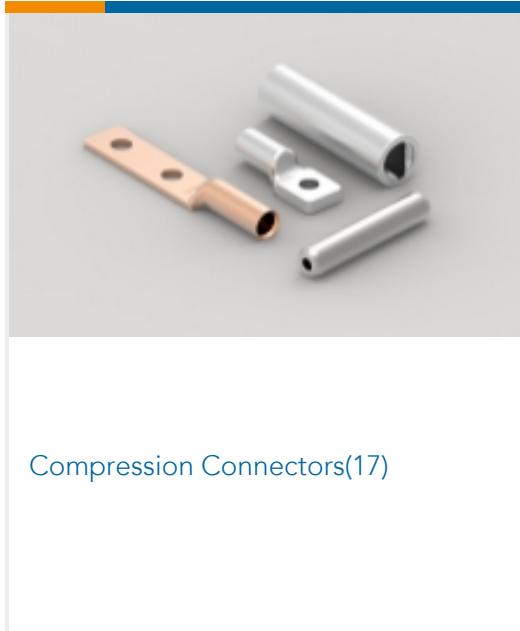
TE Part # 169400
CERTI-LOK FRAME W/O DIES



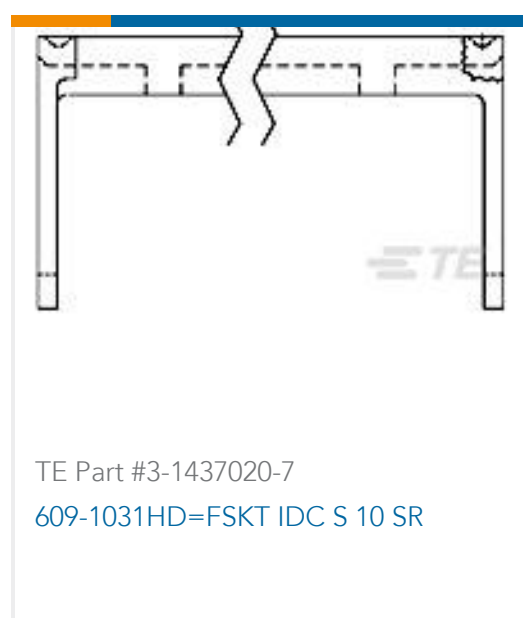
TE Part # 1-59239-4
HHHT PIDG 16-10 HEAD

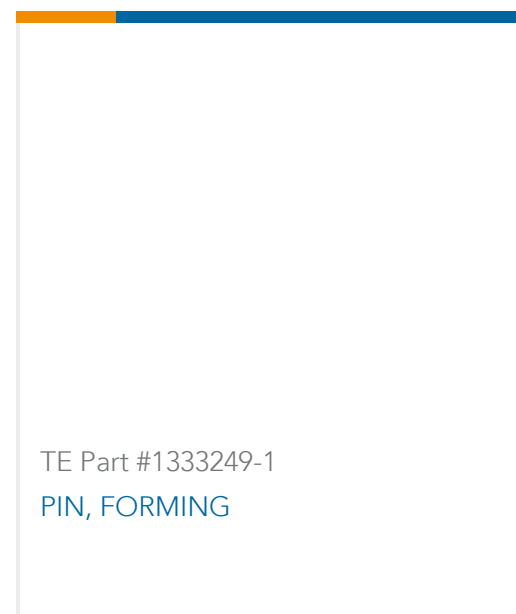
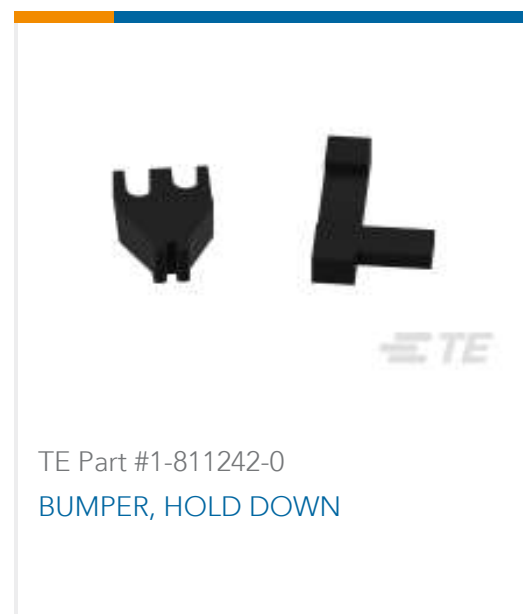


Also in the Series | PIDG



Customers Also Bought





Documents

Product Drawings

PIDG RING 12-10 1/4

English

CAD Files

3D PDF

English

Customer View Model

[ENG_CVM_165034_B.3d_igs.zip](#)

English

Customer View Model

[ENG_CVM_165034_B.3d_stp.zip](#)

English

Customer View Model

[ENG_CVM_165034_B.2d_dxf.zip](#)

English

By downloading the CAD file I accept and agree to the [Terms and Conditions](#) of use.

Product Specifications

Application Specification

English

Product Environmental Compliance

[MD_165034_0423201804_dmtec](#)

English

[MD_165034_0423201804_dmtec](#)

English

Agency Approvals

UL Report

English