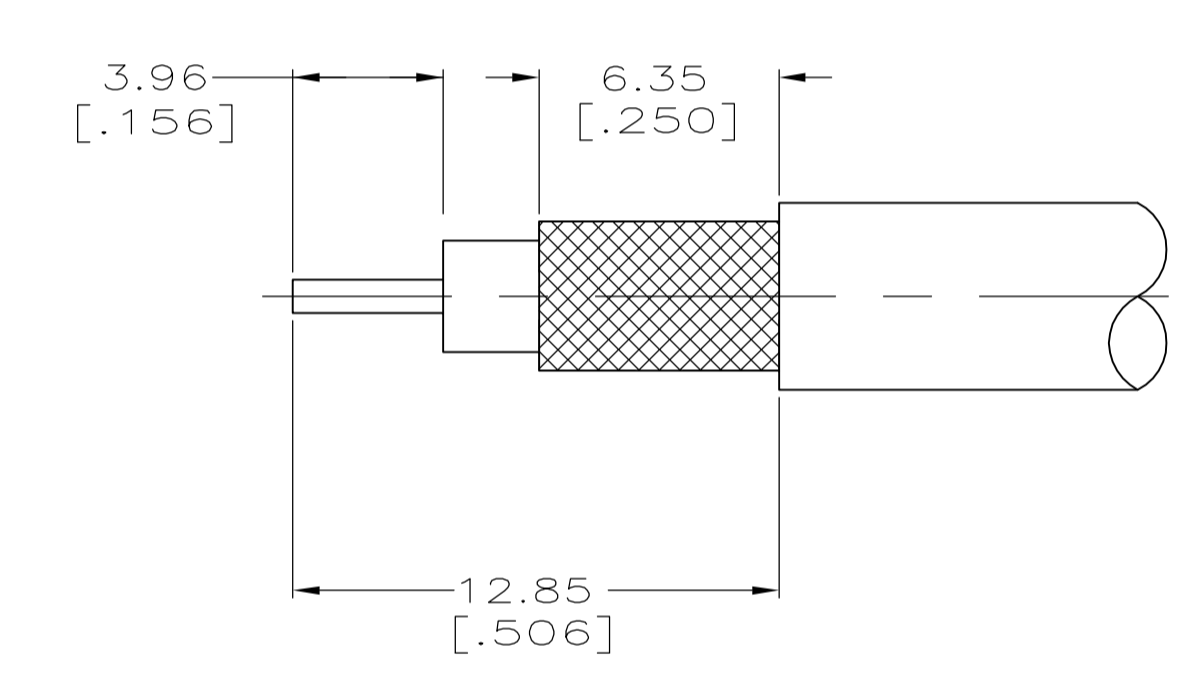
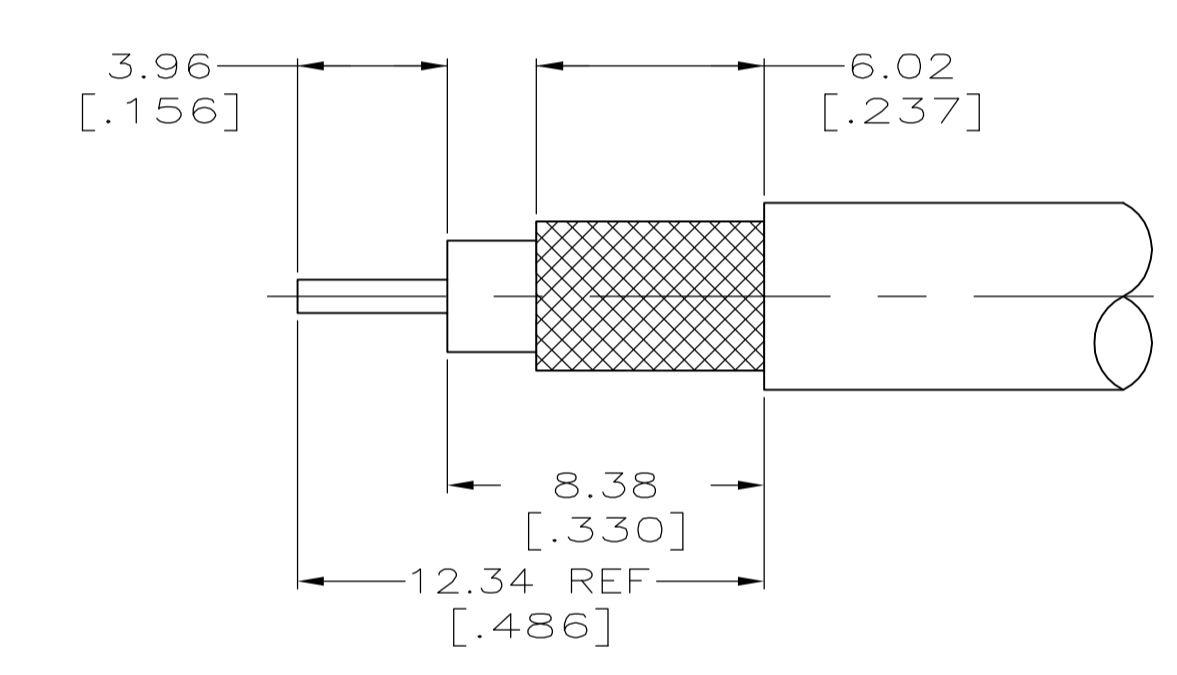
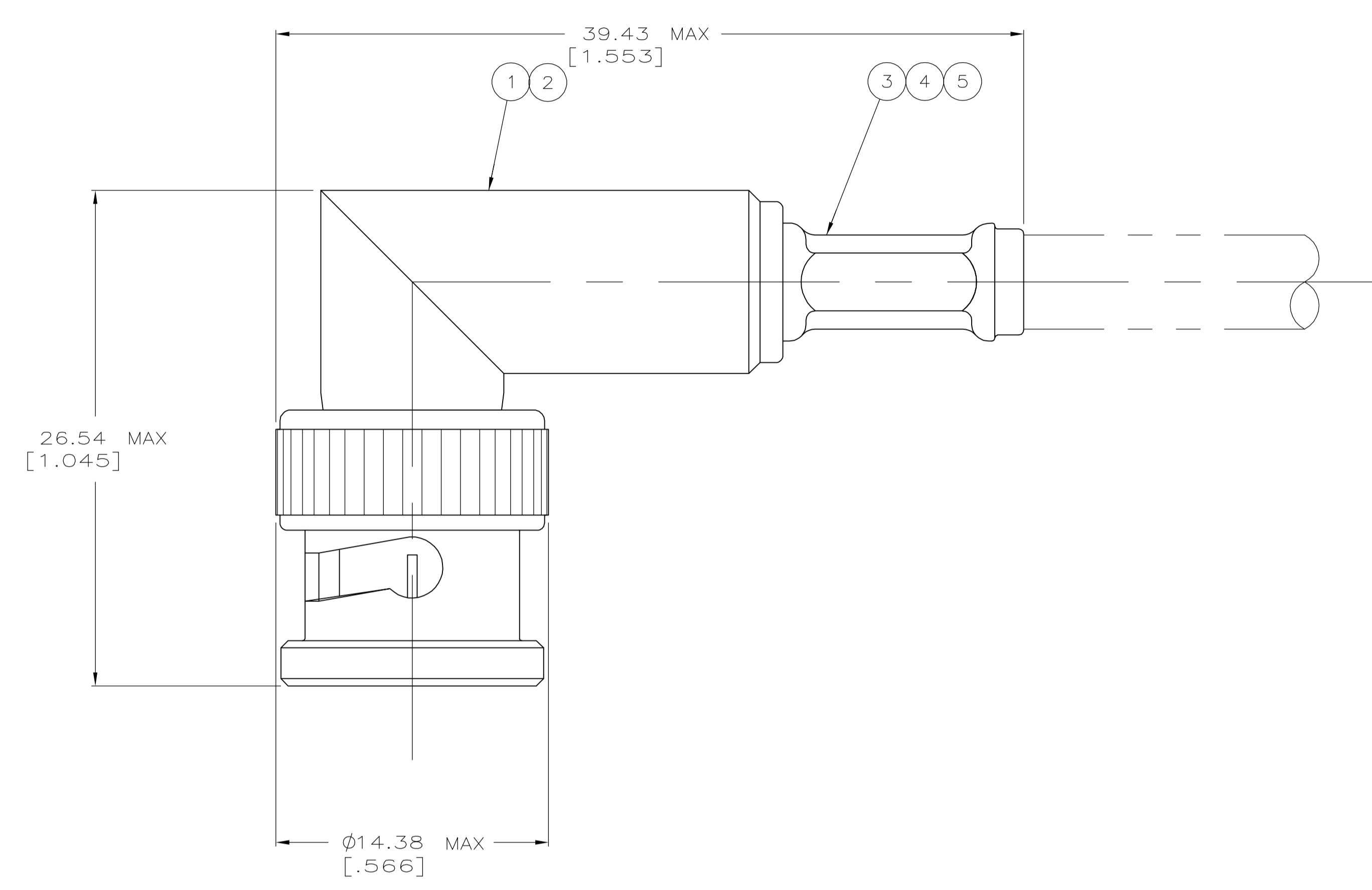


△ USE WITH HAND TOOL 220190-1
 2. SEE I.S. SHEET 9765



VIEW A

VIEW B

RECOMMENDED STRIP LENGTH

SUPERSEDED BY 5413588-8	RG-179/U,179A/U,179B/U,187/U & 187A/U	A	1.07	[.042]	4.52	[.178]	852922-2	227194-2	1-222001-0	9-413658-0	1-413746-5	9-413947-1	9-413588-1
SUPERSEDED BY 5413588-2	RG-59/U,59A/U & 59B/U	A	1.07	[.042]	6.48	[.255]	852922-1	-	-	9-221132-1	413746-5	9-413947-0	9-413588-0
	AT&T 735A	A	1.07	[.042]	4.52	[.178]	852922-2	-	-	9-413658-2	1-413746-0	413947-2	1-413588-0
OBSOLETE	RG-59 TYPE WITH .031 DIA CENTER CONDUCTOR, BELDEN 9240,9259 & 9266	A	1.07	[.042]	6.48	[.255]	852922-1	-	-	9-221132-1	2-413746-0	413947-1	413588-9
	RG-179/U,179A/U,179B/U,187/U & 187A/U	A	1.07	[.042]	4.52	[.178]	852922-2	227194-2	1-222001-0	9-413658-0	1-413746-5	413947-2	413588-8
OBSOLETE	AT&T 734A	A	1.07	[.042]	6.48	[.255]	852922-1	-	-	9-221132-3	2-413746-0	413947-4	413588-7
OBSOLETE	TIMES RG-59/U WITH DOUBLE BRAID & .270 OD JACKET	A	1.07	[.042]	8.23	[.324]	852922-3	-	-	9-221132-2	413746-5	413947-1	413588-6
OBSOLETE	BELDEN 8281,9231 & AT&T 728	B	1.07	[.042]	8.23	[.324]	852922-3	-	-	9-221132-2	2-413746-0	413947-3	413588-5
	AT&T KS 19224 L2	A	1.07	[.042]	4.52	[.178]	852922-2	227194-2	1-222001-0	9-413658-2	1-413746-5	413947-2	413588-4
OBSOLETE	BELDEN 8218	A	1.07	[.042]	4.52	[.178]	852922-2	-	-	9-221132-6	1-413746-0	413947-2	413588-3
OBSOLETE	RG-59/U,59A/U & 59B/U	A	1.07	[.042]	6.48	[.255]	852922-1	-	-	9-221132-1	413746-5	413947-1	413588-2
OBSOLETE	BELDEN 88241	A	1.07	[.042]	6.48	[.255]	852922-1	-	-	9-413658-3	413746-5	413947-1	413588-1

FOR USE WITH CABLE	VIEW	CONTACT CRIMP (SQUARE)	FERRULE CRIMP (HEX)	DIE SET △	⑤ TUBING, PLASTIC QTY=1	④ TUBING, METAL QTY=1	③ FERRULE QTY=1	② CONTACT QTY=1	① PLUG ASSY QTY=1	PART NUMBER
--------------------	------	------------------------	---------------------	-----------	-------------------------	-----------------------	-----------------	-----------------	-------------------	-------------

THIS DRAWING IS A CONTROLLED DOCUMENT.

DIMENSIONS: INCHES	TOLERANCES UNLESS OTHERWISE SPECIFIED:	0 PLC ± -	1 PLC ± -	2 PLC ± -	3 PLC ± 41[016]	4 PLC ± -	ANGLES ± -	FINISH -
--------------------	--	-----------	-----------	-----------	-----------------	-----------	------------	----------

REV	DATE	BY	APPV
J. KURTZ	9/12/90	R. E. RUTH	9/20/90

tyco Electronics Tyco Electronics Corporation
 Harrisburg, Pa 17105-3608

PRODUCT SPEC: PLUG, RIGHT ANGLE, HEX CRIMP, 75 OHM, BNC

APPLICATION SPEC: -

SIZE: A1
 CASE CODE: 00779
 DRAWING NO: 413588

RESTRICTED TO: -

CUSTOMER DRAWING SCALE: 5:1 SHEET: 1 OF 1 REV: M1