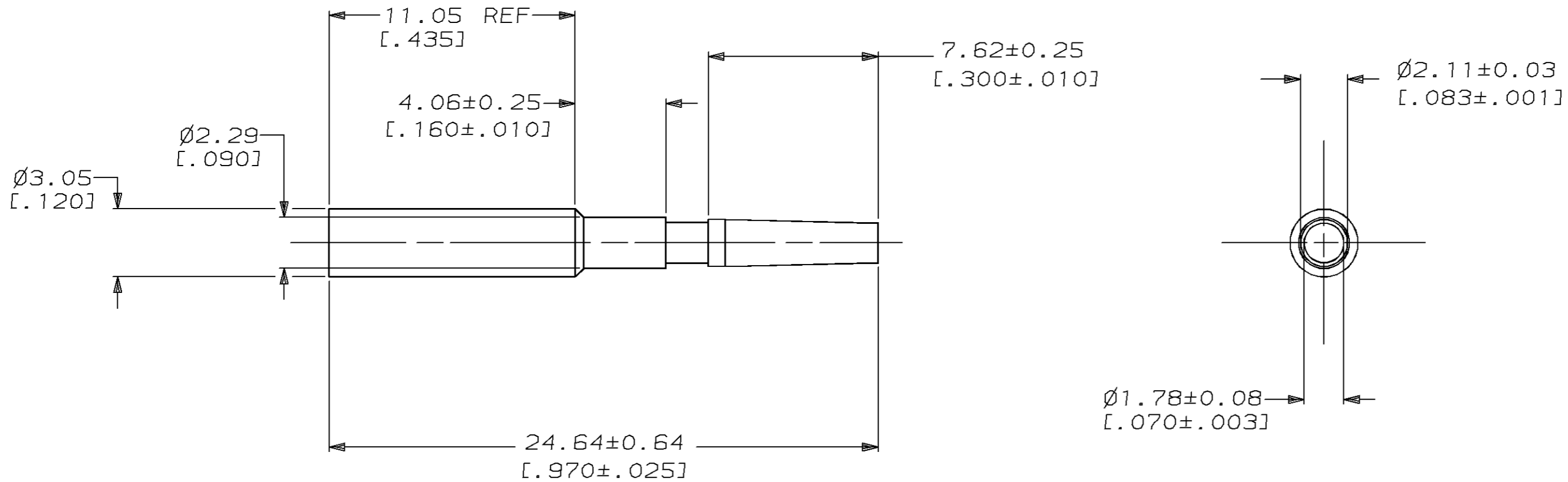


THIS DRAWING IS UNPUBLISHED. RELEASED FOR PUBLICATION, 19 .
© COPYRIGHT 19 BY AMP INCORPORATED. ALL INTERNATIONAL RIGHTS RESERVED.

LOC	DIST	P	F	REVISIONS				
CM	52			ZONE	LTR	DESCRIPTION	DATE	APPD
					D	REV & REDWN PER EC 0730-0059-95	3-21-95	KS
								RS

1. DIMENSIONS IN BRACKETS ARE IN INCHES.



350591-1

PART NO

METRIC

THIS DRAWING IS A CONTROLLED DOCUMENT FOR AMP INCORPORATED. IT IS SUBJECT TO CHANGE AND THE CONTROLLING ENGINEERING ORGANIZATION SHOULD BE CONTACTED FOR THE LATEST REVISION.

DO NOT SCALE PRINT. UNLESS SPECIFIED DIMENSIONS IN mm [INCHES] TOLERANCES ON: 2 PLC DEC ± 0.13[.005] 3 PLC DEC ± - ANGLES ± -		DR 3-21-95 K. SALMON	AMP AMP Incorporated Harrisburg, PA 17105-3608
MATERIAL NYLON		CHK 3-21-95 R. SWING	
FINISH BRICK RED		APPD 3-21-95 W. LONG	NAME KEYING PLUG
		APPD 3-21-95 W. LONG	SIZE B
		PRODUCT SPEC -	CAGE CODE 00779
		APPLICATION SPEC -	DRAWING NO C-350591
		WEIGHT -	SCALE 5:1
			SHEET 1 OF 1