

160762-2 ✓ ACTIVE

FASTIN-FASTON | FASTIN-FASTON 110

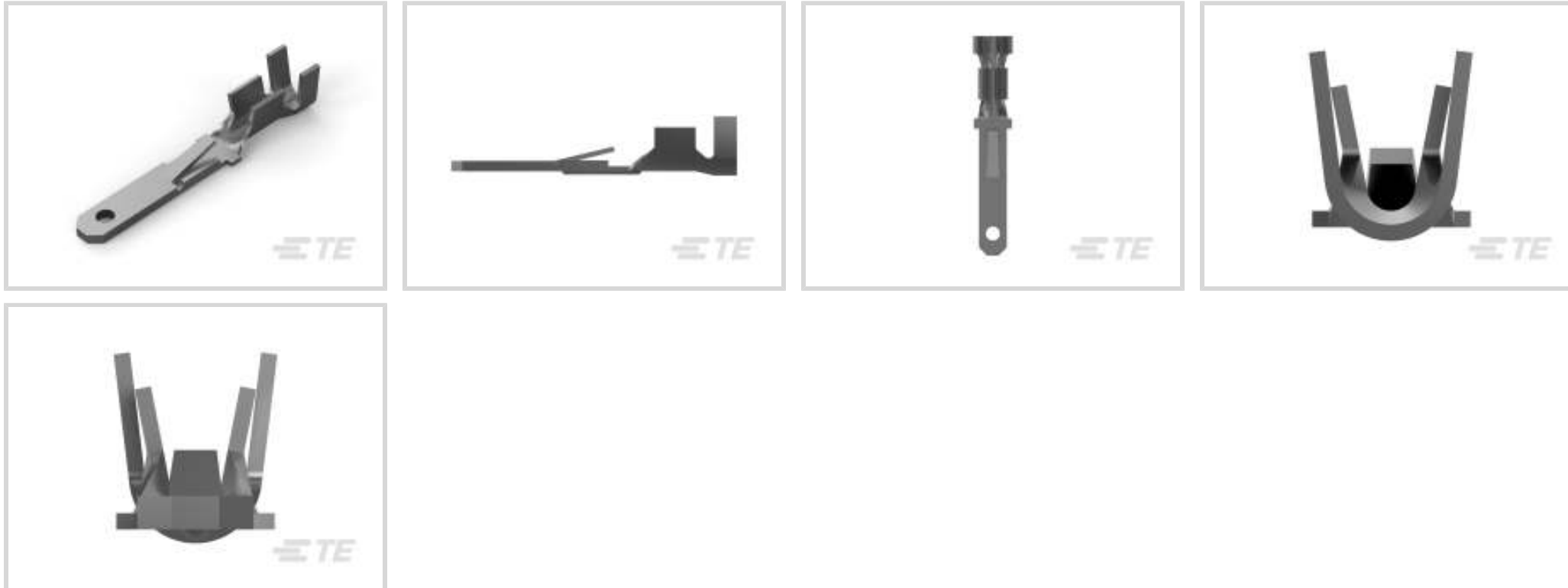
TE Internal #: 160762-2

Quick Disconnects, Tab, 20 – 15 AWG Wire Size, .51 – 1.65 mm² Wire Size, Mating Tab Width 2.8 mm [.11 in], Straight, FASTIN-FASTON 110

[View on TE.com >](#)



Terminals & Splices > Quick Disconnects



Quick Disconnect Terminal Type: **Tab**

Wire Size: **.51 – 1.65 mm²**

Mating Tab Width: **2.8 mm [.11 in]**

Mating Tab Thickness: **.81 mm [.032 in]**

Features

Product Type Features

Insertion Force	Normal
-----------------	--------

Configuration Features

Connection Capacity	Single
Compatible With Wire & Cable Type	Discrete Wire

Contact Features

Quick Disconnect Terminal Type	Tab
Mating Tab Width	2.8 mm [.11 in]
Mating Tab Thickness	.81 mm [.032 in]
Terminal Orientation	Straight
Contact Base Material	Phosphor Bronze
Terminal Plating Material	Pre-Tin
Crimp Type	F-Crimp
Barrel Type	Open

Termination Features

--	--



Product Terminates To	Wire & Cable
-----------------------	--------------

Mechanical Attachment

	.055 in
--	---------

Wire Insulation Support	With
-------------------------	------

Mating Retention Type	Locking Lance
-----------------------	---------------

Dimensions

Terminal Material Thickness	.41 mm[.016 in]
-----------------------------	-----------------

Product Length	22 mm[.866 in]
----------------	----------------

Compatible Insulation Diameter Range	2.31 – 3 mm[.091 – .118 in]
--------------------------------------	-----------------------------

Wire Size	.51 – 1.65 mm ²
-----------	----------------------------

Usage Conditions

Insulation Option	Uninsulated
-------------------	-------------

Operating Temperature Range	-40 – 110 °C[-40 – 230 °F]
-----------------------------	----------------------------

Packaging Features

Packaging Quantity	6000
--------------------	------

Packaging Method	Strip/Reel
------------------	------------

Product Compliance

[For compliance documentation, visit the product page on TE.com>](#)

EU RoHS Directive 2011/65/EU	Compliant
------------------------------	-----------

EU ELV Directive 2000/53/EC	Compliant
-----------------------------	-----------

China RoHS 2 Directive MIIT Order No 32, 2016	No Restricted Materials Above Threshold
---	---

EU REACH Regulation (EC) No. 1907/2006	Current ECHA Candidate List: JUNE 2023 (235) Candidate List Declared Against: JAN 2023 (233) Does not contain REACH SVHC
--	--

Halogen Content	Low Halogen - Br, Cl, F, I < 900 ppm per homogenous material. Also BFR/CFR/PVC Free
-----------------	---

Solder Process Capability	Not applicable for solder process capability
---------------------------	--

Product Compliance Disclaimer

This information is provided based on reasonable inquiry of our suppliers and represents our current actual knowledge based on the information they provided. This information is subject to change. The part numbers that TE has identified as EU RoHS compliant have a maximum concentration of 0.1% by weight in homogenous materials for lead, hexavalent chromium, mercury, PBB, PBDE, DBP, BBP, DEHP, DIBP, and 0.01% for cadmium, or qualify for an exemption to these

limits as defined in the Annexes of Directive 2011/65/EU (RoHS2). Finished electrical and electronic equipment products will be CE marked as required by Directive 2011/65/EU. Components may not be CE marked. Additionally, the part numbers that TE has identified as EU ELV compliant have a maximum concentration of 0.1% by weight in homogenous materials for lead, hexavalent chromium, and mercury, and 0.01% for cadmium, or qualify for an exemption to these limits as defined in the Annexes of Directive 2000/53/EC (ELV). Regarding the REACH Regulation, the information TE provides on SVHC in articles for this part number is based on the latest European Chemicals Agency (ECHA) 'Guidance on requirements for substances in articles' posted at this URL: <https://echa.europa.eu/guidance-documents/guidance-on-reach>

Compatible Parts



TE Part # 2-2150603-2
 OCEAN_2.0_Applicator-E-090F130F



TE Part # 2150603-2
 OCEAN_2.0_Applicator-E-090F130F




TE Part # 7-2150603-2
 OCEAN_2.0_Applicator-E-090F130F




TE Part # 7-2150603-7
 OCEAN_2.0_SPARE_PART_KIT-090F130F

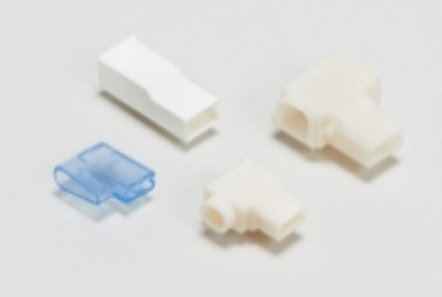
Also in the Series | FASTIN-FASTON 110




Automotive Housings(6)




Automotive Terminals(6)



Crimp Terminal Housings(34)



Insertion & Extraction Tools(3)

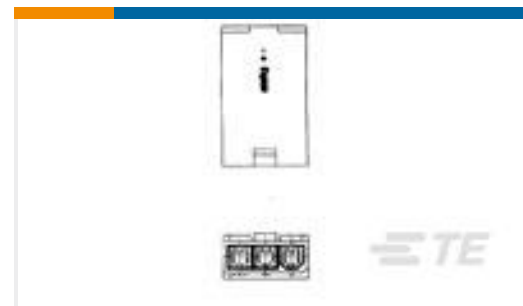


Quick Disconnects(83)

Customers Also Bought



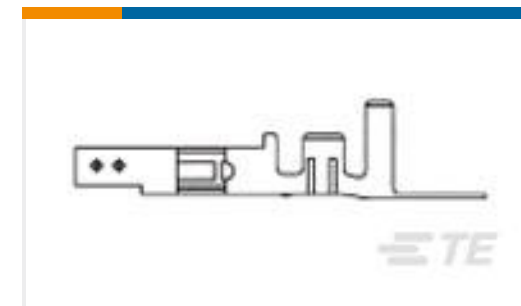
TE Part #827551-3
JUNIOR TIMER CONNECTOR-HSG



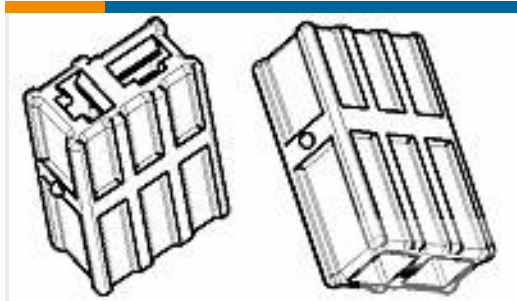
TE Part #1586105-3
3P RCPT VAL-U-LOK SR V2



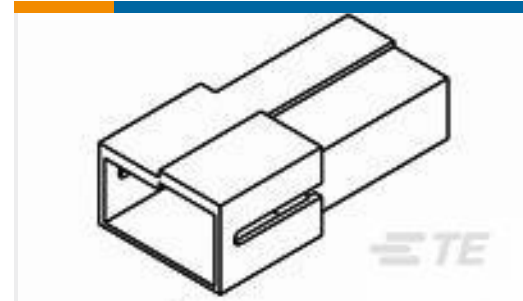
TE Part #160864-2
FF 110 REC TERMINAL 20-17 AWG
PTPB



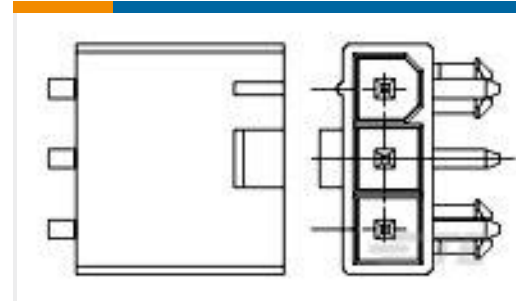
TE Part #794956-3
VAL-U-LOK SKT PHBZ SN 22-18AWG
PTPB



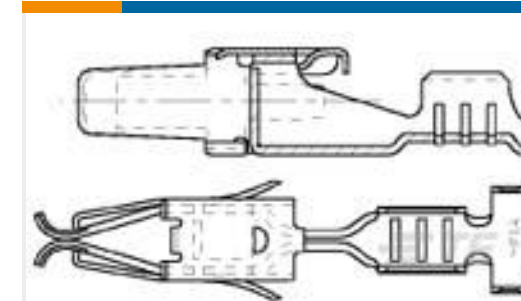
TE Part #626064
2 WAY FASTIN-ON 110 HOUSING
REC PA66 NAT



TE Part #626065
2 P FASTIN-ON 110 HOUSING TAB
PA66 NAT



TE Part #2029150-5
5P R/A HDR VAL-U-LOK V2 W/P



TE Part #144432-1
JPT F REC 2.8 Contact SRC Sn



TE Part #62572-6
FF 110 REC 20-16AWG TPBR

Documents

Product Drawings

[FF 110 TAB 0.5-1.5MM2 PTPBR](#)

English

CAD Files

[3D PDF](#)

3D

Customer View Model

[ENG_CVM_CVM_160762-2_L.2d_dxf.zip](#)

English

Customer View Model

[ENG_CVM_CVM_160762-2_L.3d_igs.zip](#)

English

Customer View Model

[ENG_CVM_CVM_160762-2_L.3d_stp.zip](#)

English

By downloading the CAD file I accept and agree to the [Terms and Conditions](#) of use.

Product Specifications



FASTIN-FASTON CONN. .110 INCH, .187 INCH, .250 INCH, .375 INCH SRS.

English

Product Specification

English