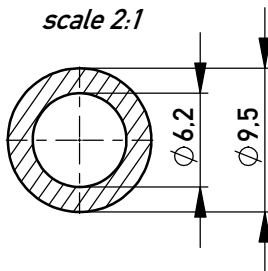
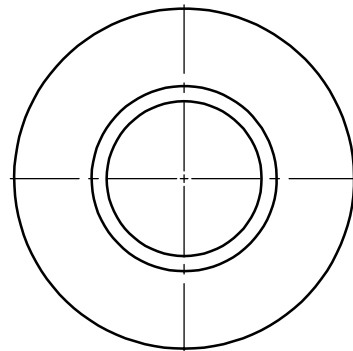
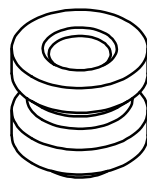


Layout - Vorschlag
PCB - Layout proposal
M 2:1
scale 2:1



M 2:1 / scale 2:1



6-10µm Sn matt über 1-3µm Ni /
6-10µm sn matt over 1-3µm ni

Oberfläche A / plating A

Copyright by ERNI Production GmbH & Co. KG
Proprietary notice pursuant to ISO 16016 to be observed.

Information:	Tolerances	 All Dimensions in mm	Scale	5:1
			Material:	CuZn39Pb3
All rights reserved. Only for Information. To ensure that this is the latest version of this drawing, please contact one of the ERNI companies before using.	Subject to modification without prior notice. Drawing will not be updated.	 www.ERNI.com	Designation	
			Powerelemente SMD through hole M5	
b	11.07.2018	 www.ERNI.com	225876	
Index	Date		Class	POWELM
			I	A4